

PART NAME: HANDLE

SCALE: 1:1

DATE: 11/8/71

DR. BY NH



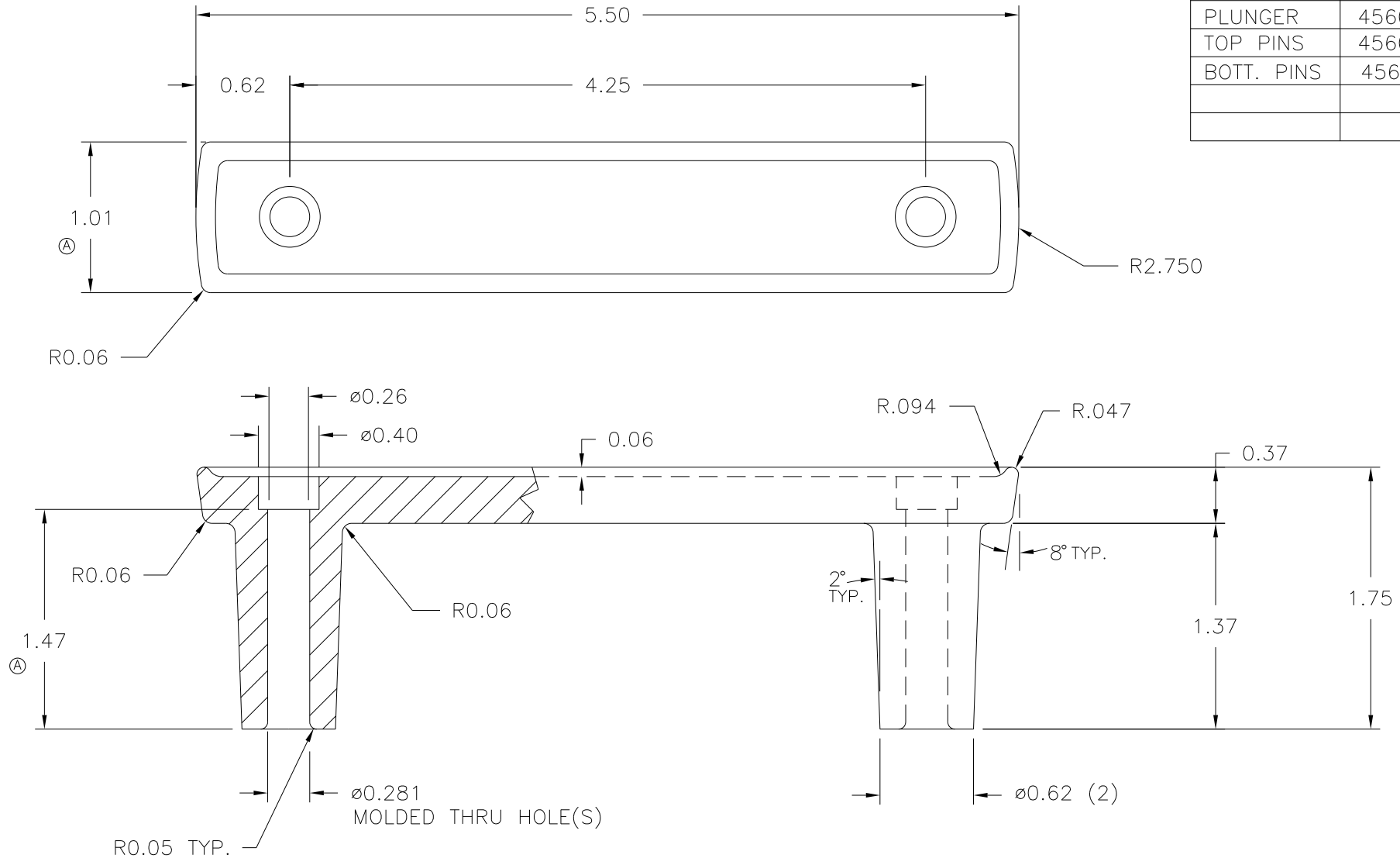
DESIGNERS & MANUFACTURERS OF KNOBS, HANDLES, CASES & CUSTOM PLASTIC COMPONENTS

P/N 4560

M NO. 4560

CAVITY	4560
PLUNGER	4560
TOP PINS	4560
BOTT. PINS	4560

THIS DRAWING IS THE PROPERTY OF DAVIES MOLDING COMPANY, IS SUBMITTED SOLELY AS A DESIGN OR ENGINEERING PROJECT. WE ACCEPT NO RESPONSIBILITY WHATSOEVER FOR THE PRACTICAL APPLICATION OF THE PIECES MADE TO THIS DESIGN.



MATERIAL: #4311 PLENCO PHENOLIC (B41)
(HIGH-HEAT RESISTANCE)

COLOR: BLACK

TOLERANCES: UNLESS OTHERWISE SPECIFIED	DO NOT SCALE DRAWING				
DECIMALS: X.XXX ± .005 X.XX ± .015	MM: X.XX ± 0.15MM X.X ± 0.4MM	A	WAS 1.46, ADDED 1.01	TS	5/14/99
FRACTIONS ± 1/64	ANG. ± 1°	-	CAD/REDRAWN	HD	4/10/95
CHANGES					

Mouser Electronics

Authorized Distributor

Click to View Pricing, Inventory, Delivery & Lifecycle Information:

[Davies Molding:](#)

[4560](#)