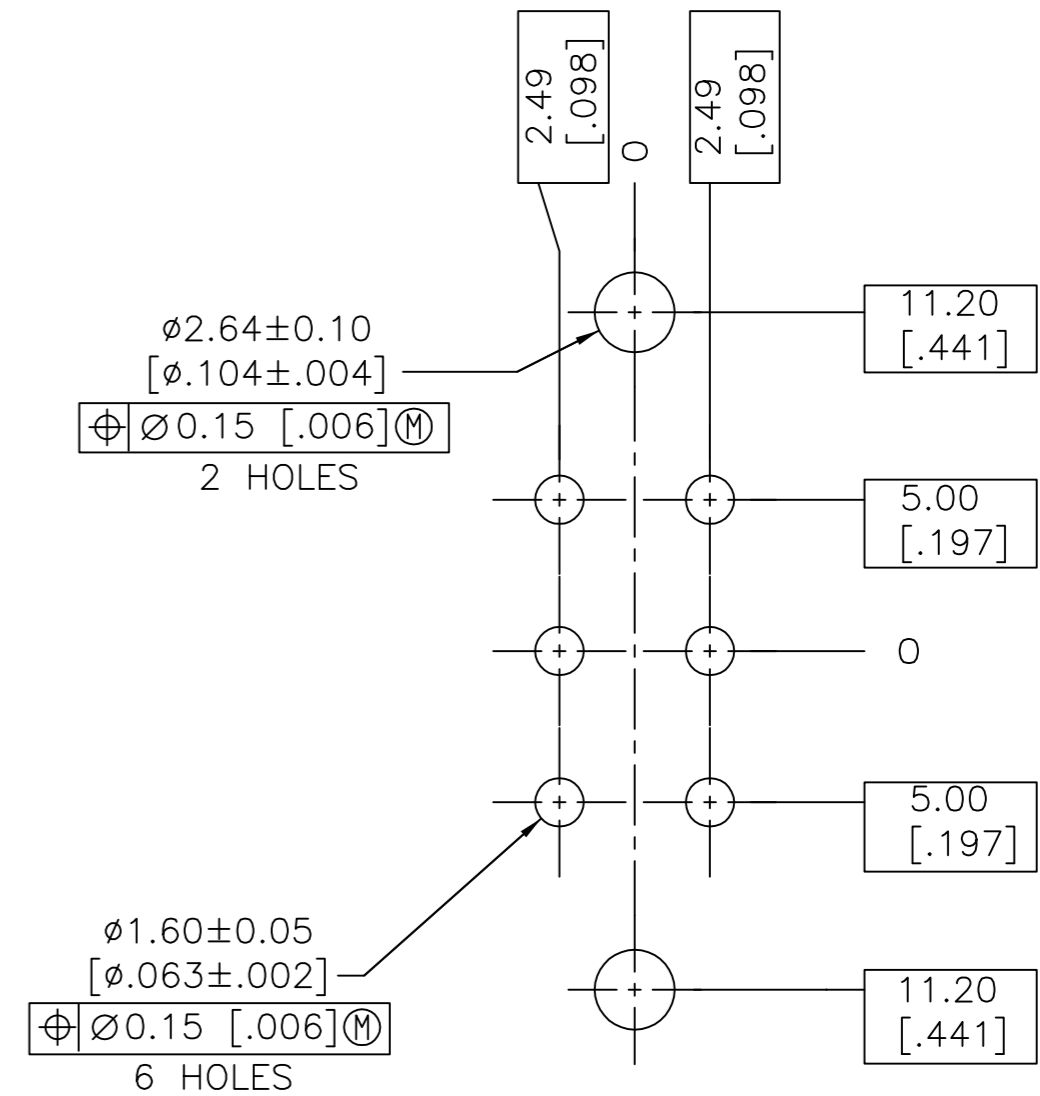
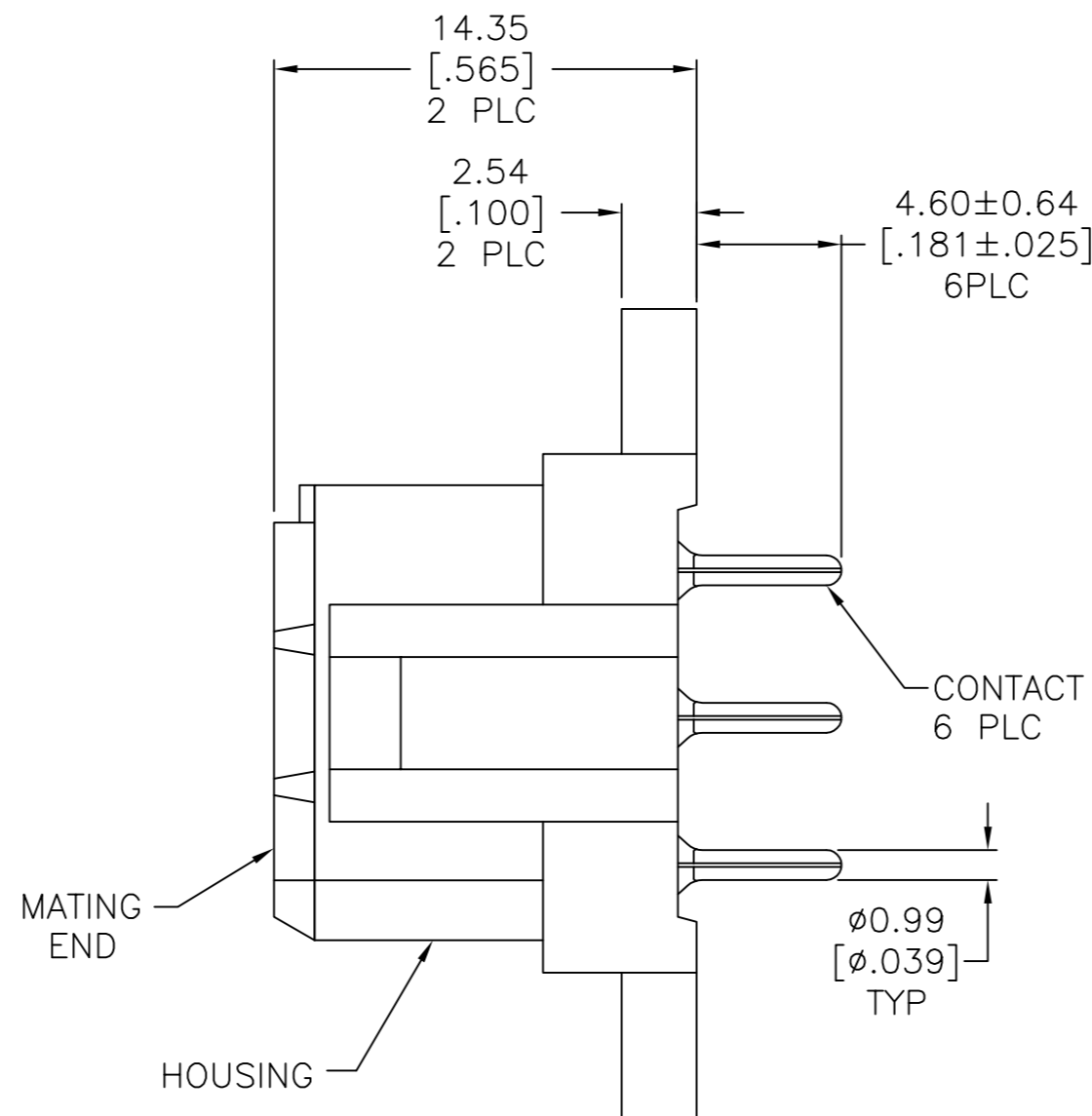
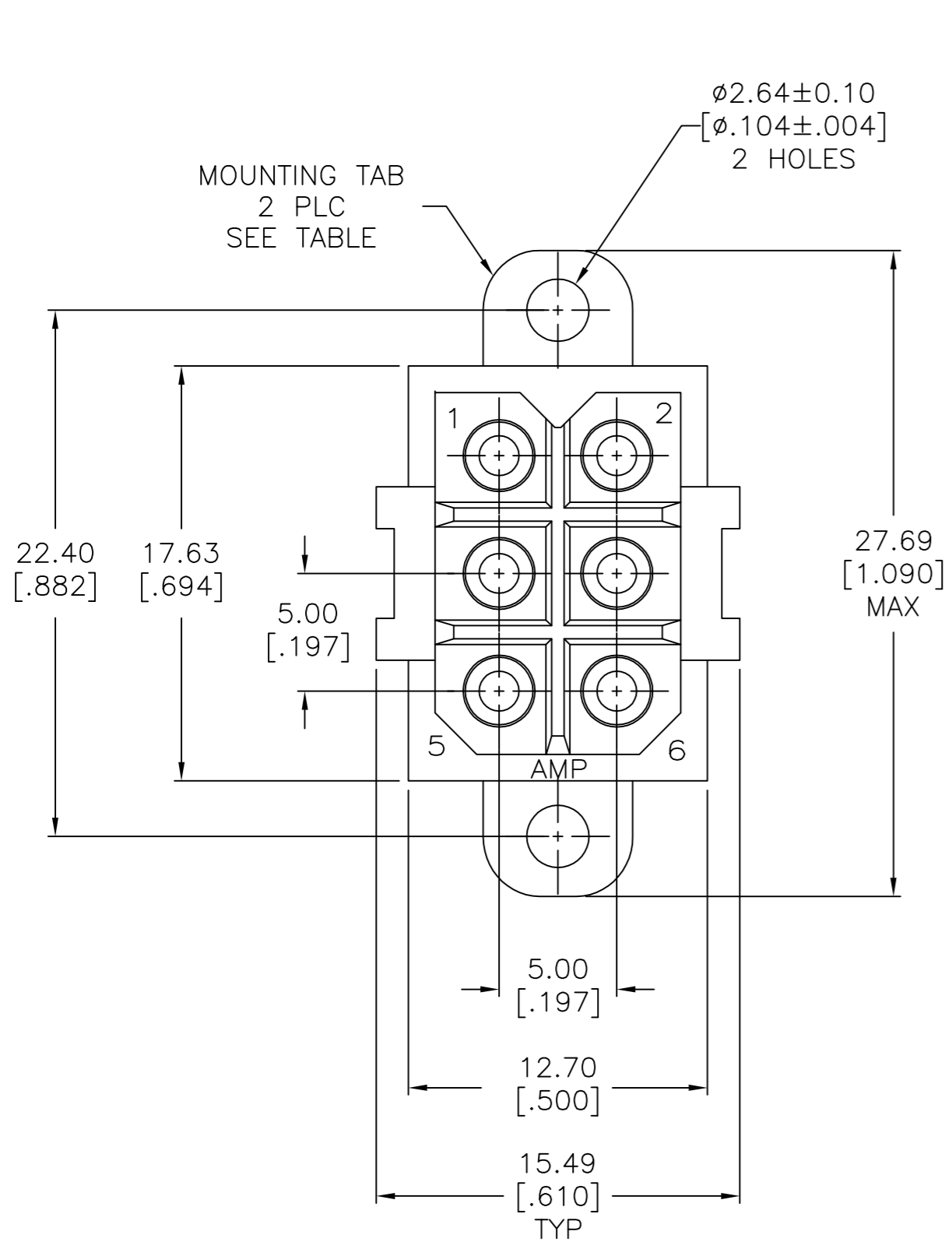


THIS DRAWING IS UNPUBLISHED. RELEASED FOR PUBLICATION
 © COPYRIGHT - By - ALL RIGHTS RESERVED.

REVISIONS					
P	LTR	DESCRIPTION	DATE	DWN	APVD
S		REVISED PER ECO-16-004940	02AUG2016	NK	MZ
T		REVISED PER ECO-17-011181	05AUG2017	RS	MZ
U		REVISED PER ECO-18-000437	18JAN2018	RS	MZ



RECOMMENDED LAYOUT

- ① NYLON, UL 94-VO RATED, RED.
- ② PHOSPHOR BRONZE.
- ③ 3.81µm [.000150] MIN TIN-LEAD OVER 1.27µm [.000050] MIN NICKEL.
- ④ 0.76µm [.000030] MIN GOLD FOR A LENGTH OF 4.95 [.195] MIN FROM MATING END, 3.81µm [.000150] MIN TIN-LEAD FOR A LENGTH OF 4.88 [.192] MIN ON OPPOSITE END, BOTH OVER 1.27µm [.000050] MIN NICKEL.
- ⑤ 3.81µm [.000150] MIN TIN OVER 1.27µm [.000050] MIN NICKEL.
- ⑥ 0.76µm [.000030] MIN GOLD FOR A LENGTH OF 4.95 [.195] MIN FROM MATING END, 3.81µm [.000150] MIN TIN FOR A LENGTH OF 4.88 [.192] MIN ON OPPOSITE END, BOTH OVER 1.27µm [.000050] MIN NICKEL.
- ⑦ OBSOLETE PARTS: OBSOLETE CIS STREAMLINING PER D.RENAUD/D.SINISI

	⑥	NO	1-207524-0
	⑥	YES	207524-9
⑦	⑤	NO	207524-8
	⑤	YES	207524-7
OBSOLETE	④	NO	207524-4
OBSOLETE	④	YES	207524-3
OBSOLETE	③	NO	207524-2
OBSOLETE	③	YES	207524-1
		CONTACT FINISH	MOUNTING TABS
			PART NO

THIS DRAWING IS A CONTROLLED DOCUMENT.		DWN	03/20/92	TE Connectivity	
DIMENSIONS: mm [INCHES]		L.SIPE	3-25-92		
TOLERANCES UNLESS OTHERWISE SPECIFIED:		CHK	R.STONE	NAME A. TRAVIS PRODUCT SPEC 108-10033 APPLICATION SPEC	
0 PLC ± - 1 PLC ± - 2 PLC ± 0.25 [.010] 3 PLC ± - 4 PLC ± - ANGLES ± - FINISH		APVD	3-25-92		
MATERIAL	HOUSING: 1	WEIGHT	-	SIZE	A2
CONTACT: SEE TABLE		CUSTOMER DRAWING	SCALE	CAGE CODE	00779
		RESTRICTED TO	SCALE	DRAWING NO	C=207524
		SCALE	4:1	SHEET	1 of 1
		REV	U		

Mouser Electronics

Authorized Distributor

Click to View Pricing, Inventory, Delivery & Lifecycle Information:

[TE Connectivity:](#)

[207524-9](#)