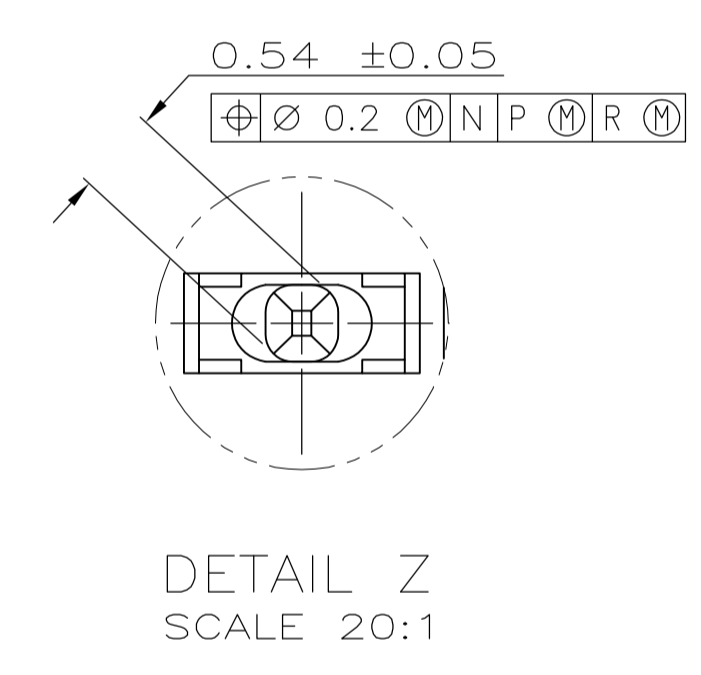


- 1 HOUSING MATERIAL: LIQUID CRYSTAL POLYMER  
COLOR: NATURAL.
- 2 CONTACT MATERIAL: PHOSPHOR BRONZE
- 3 CONTACT FINISH:(B)  
UNDERPLATE (ENTIRE CONTACT):  
0.00127 MIN NICKEL PER SAE-AMS-QQ-N-290  
ON MATING SURFACES:  
CONFORMS TO ALL TESTING SPECIFIED FOR TELCORDIA UNCONTROLLED ENVIRONMENT.  
ON LEADS:  
0.0006 MIN MATTE TIN PER ASTM B 545 OVER UNDERPLATE.  
LUBRICATION (MIN MATING SURFACES):  
SURFACE CONDITIONER AFTER PLATING.
- 4 PART MARKING LOCATED APPROXIMATELY AS SHOWN.
- 5 DIMENSION APPLIES WHEN SEATED ON PRINTED CIRCUIT BOARD.
- 6 OBSOLETE PARTS: OBSOLETE CIS STREAMLINING PER D.RENAUD/D.SINISI



OBSOLETE	130	65	131.88	330	-1-5223002-1
	118	59	119.88	300	-1-5223002-0
	106	53	107.88	270	-5223002-9
	94	47	95.88	240	5223002-8
	82	41	83.88	210	5223002-7
	70	35	71.88	180	5223002-6
	58	29	59.88	150	5223002-5
	46	23	47.88	120	5223002-4
	34	17	35.88	90	5223002-3
	22	11	23.88	60	5223002-2
10	5	11.88	30	5223002-1	
C	B	A	NO OF SIGNAL POSN	PART NUMBER	

RECOMMENDED CIRCUIT PATTERN (COMPONENT SIDE)

THIS DRAWING IS A CONTROLLED DOCUMENT.

DIMENSIONS: mm	TOLERANCES UNLESS OTHERWISE SPECIFIED:	DIN B MCMMASTER 19NOV04	APVD R.WERTZ 19NOV04	Tyco Electronics Corporation Harrisburg, Pa 17105-3608
0 PLC ± -	1 PLC ± -	2 PLC ± 0.13	3 PLC ± -	4 PLC ± -
ANGLES ± -	FINISH	NAME R.WERTZ 19NOV04	PRODUCT SPEC	APPLICATION SPEC
MATERIAL	FINISH	SIZE	CAGE CODE	DRAWING NO
1	2	3	A1	00779
CUSTOMER DRAWING		SCALE 4:1	SHEET 1 of 1	REV A

ASSEMBLY, PIN, SIGNAL, VERTICAL, Z-PACK 2mm FB, 5 ROW, PRESS FIT LEADS

5223002

# Mouser Electronics

Authorized Distributor

Click to View Pricing, Inventory, Delivery & Lifecycle Information:

[TE Connectivity:](#)

[5223002-4](#)