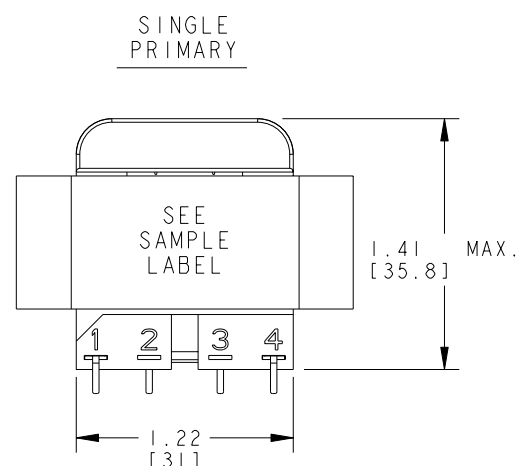
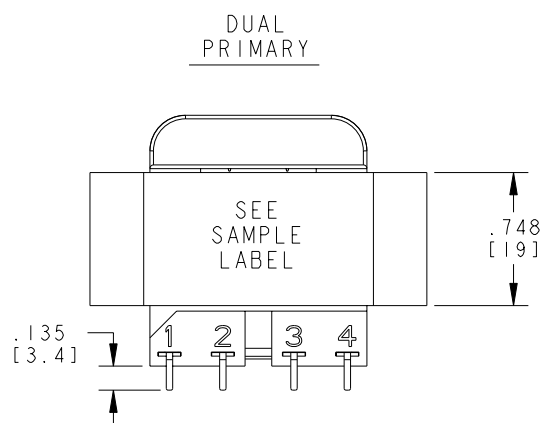


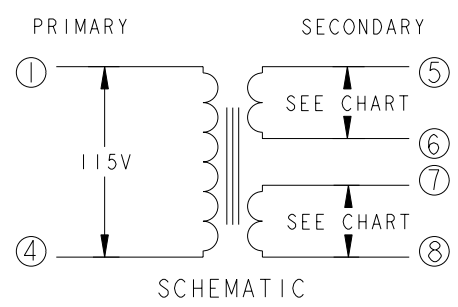
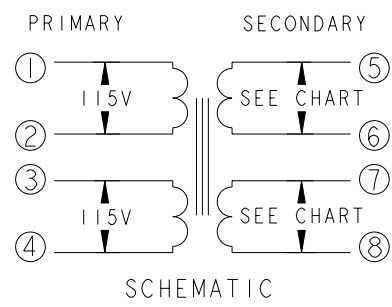
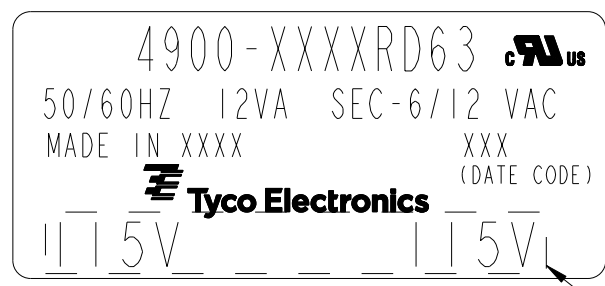
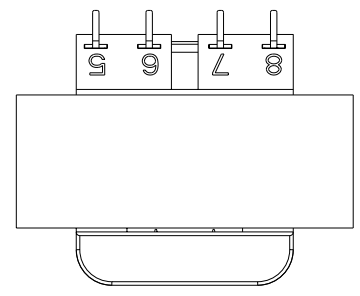
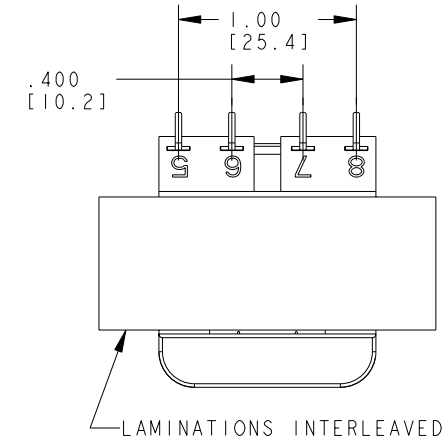
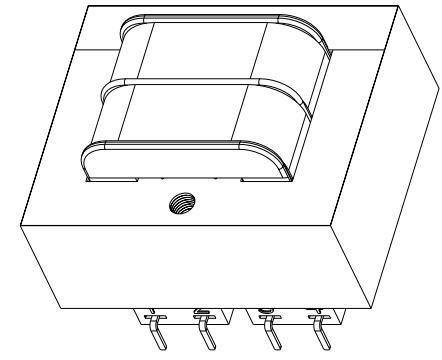
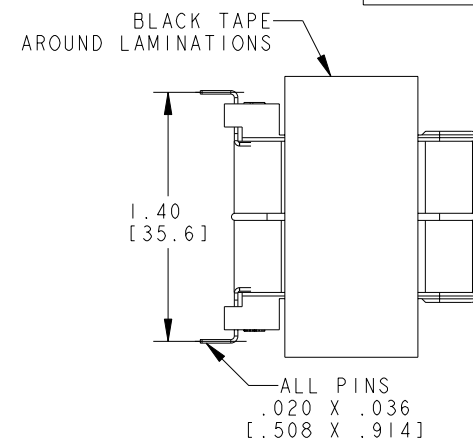
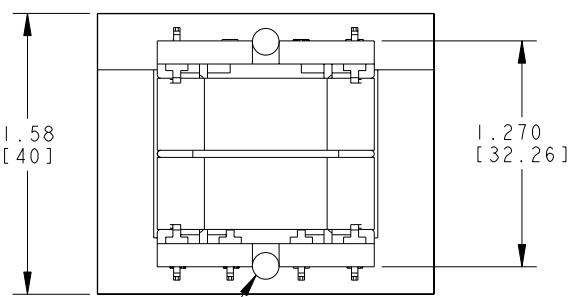
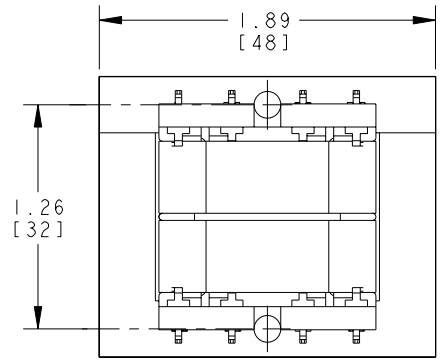
THIS DRAWING IS UNPUBLISHED. RELEASED FOR PUBLICATION 20
 © COPYRIGHT 20 BY TYCO ELECTRONICS CORPORATION. ALL RIGHTS RESERVED.

LOC	DIST	REVISIONS			
P	LTR	DESCRIPTION	DATE	DWN	APVD
C		ECR-09-005727	02APR2009	JS	JH
D		ECR-09-011630	11JUN2009	JS	DB



CERTIFICATION: UL/CUL FILE NO. E102980 HZ. 50/60 V.A. 12
 DIMENSIONS FOR REFERENCE ONLY.

PRIMARY	SECONDARY	P. U. PART NUMBER	TYCO ELECTRONICS PART NUMBER
SERIES	PARALLEL		
115 VAC	12 VCT 6 VAC	4900-8012RD63	1672325-2
115 VAC	12.6 VCT 6.3 VAC	4900-8013RD63	1672325-3
115 VAC	24 VCT 12 VAC	4900-8024RD63	1672325-6
115 VAC	28 VCT 14 VAC	4900-8028RD63	1672325-7
115 VAC	48 VCT 24 VAC	4900-8048RD63	1-1672325-0
115/230 VAC	12 VCT 6 VAC	4900-9012RD63	1-1672325-4
115/230 VAC	12.6 VCT 6.3 VAC	4900-9013RD63	1-1672325-5
115/230 VAC	24 VCT 12 VAC	4900-9024RD63	1-1672325-8
115/230 VAC	28 VCT 14 VAC	4900-9028RD63	1-1672325-9
115/230 VAC	48 VCT 24 VAC	4900-9048RD63	2-1672325-2



<small>THIS DRAWING IS A CONTROLLED DOCUMENT FOR TYCO ELECTRONICS CORPORATION. IT IS SUBJECT TO CHANGE AND THE CONTROLLING ENGINEERING ORGANIZATION SHOULD BE CONTACTED FOR THE LATEST REVISION.</small>		DWN J. SLIKE 22 JUL 2008	Tyco Electronics Harrisburg, PA 17105-3608	
DIMENSIONS: INCHES [mm]		CHK J. HURLBURY 22 JUL 2008	NAME TRANSFORMER OUTLINE	
TOLERANCES UNLESS OTHERWISE SPECIFIED: 0 PLC ± 1 PLC ± 2 PLC ±.01 3 PLC ±.005 4 PLC ± ANGLES ± FINISH		APVD J. HURLBURY 22 JUL 2008	RESTRICTED TO	
MATERIAL		PRODUCT SPEC	SIZE A2	CAGE CODE 00779
		APPLICATION SPEC	DRAWING NO 4900-RD63	REV D
		WEIGHT	SCALE 5:1	SHEET 1 OF 1
		CUSTOMER DRAWING		

Mouser Electronics

Authorized Distributor

Click to View Pricing, Inventory, Delivery & Lifecycle Information:

[TE Connectivity:](#)

[4900-8028RD63](#)