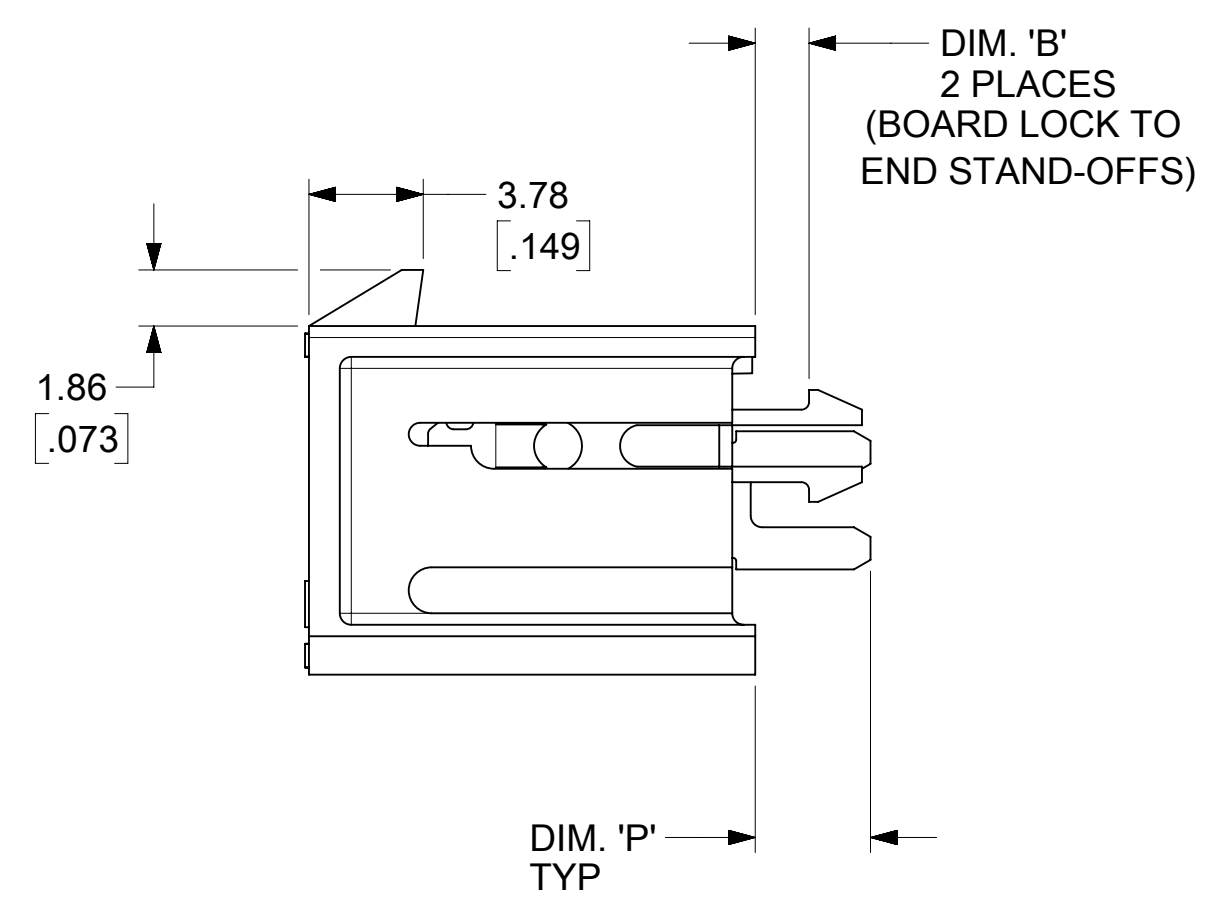
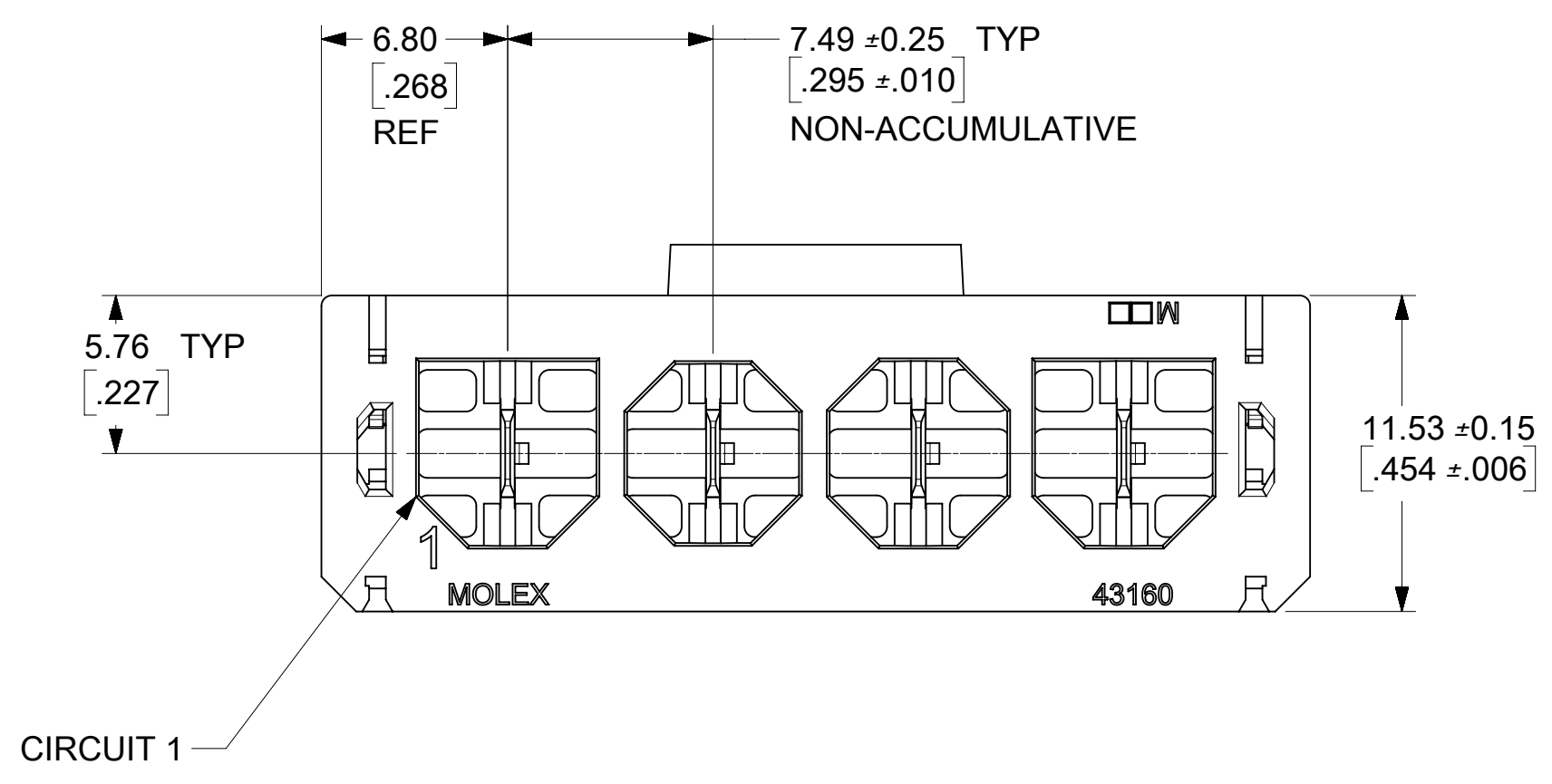
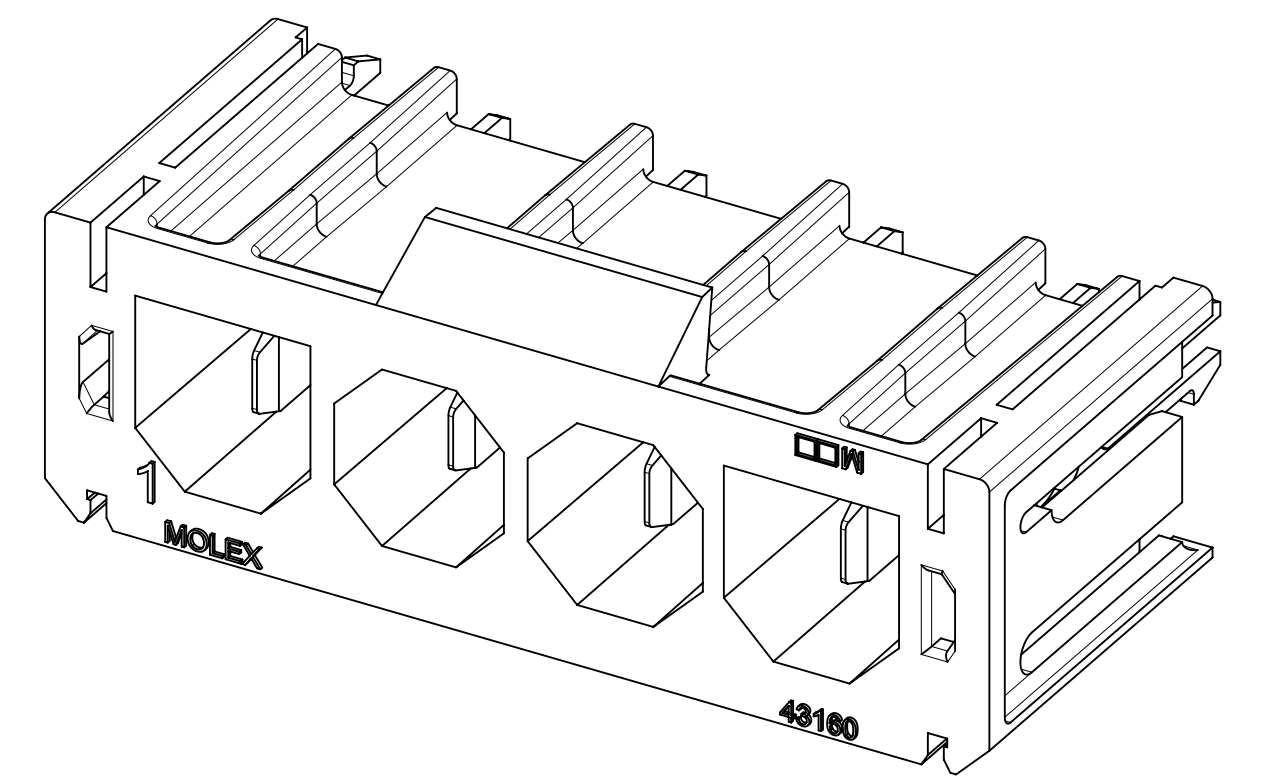
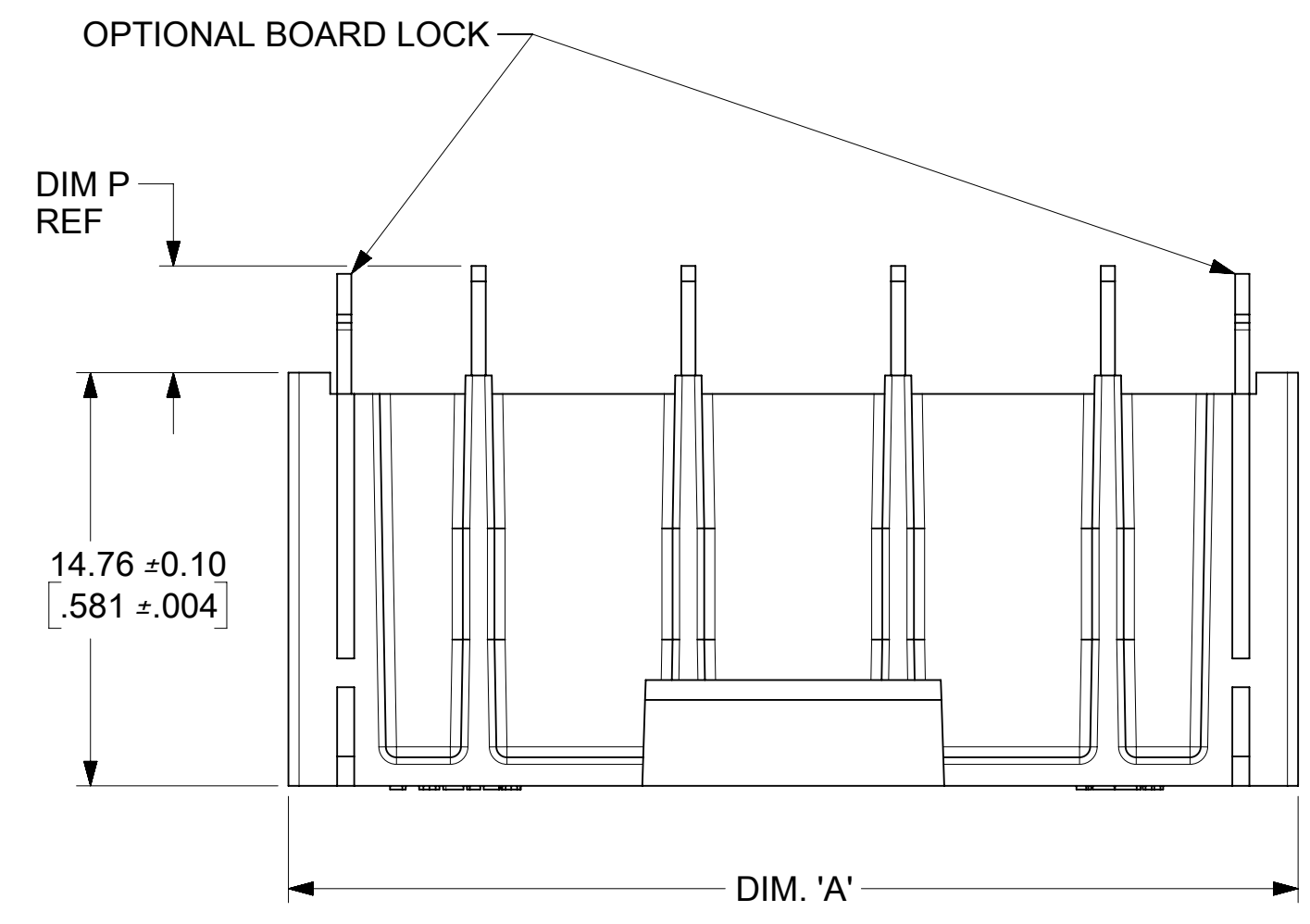


CIRCUITS	DIM. 'A' ± $\frac{0.33}{.013}$
2	$\frac{21.08}{.830}$
3	$\frac{28.58}{1.125}$
4	$\frac{36.07}{1.420}$
5	$\frac{43.56}{1.715}$
6	$\frac{51.05}{2.010}$
8	$\frac{66.04}{2.600}$



SHEETS 1 AND 2: VERTICAL HEADERS
 SHEETS 3 AND 4: RIGHT ANGLE HEADERS
 SHEET 5: POLARIZATION

- INSULATOR MATERIAL: 30% GLASS FILLED 4/6 NYLON UL94V-0, COLOR: BLACK
 TERMINAL MATERIAL : BRASS
- TERMINAL FINISH: OVERALL REFLOWED MATTE TIN: 0.00152/.000060 MIN OVER 0.00127/.000050 MIN NICKEL.
- PRODUCT SPECIFICATION PS-44441-9999.
- PACKAGING: SEE CHART
- THIS HEADER MATES WITH 44441 OR 43335 SERIES RECEPTACLE HOUSINGS.
- THIS PART CONFORMS TO CLASS B REQUIREMENTS OF MOLEX COSMETIC SPECIFICATION PS-45499-002
- TEXT ON PART IS FOR REFERENCE ONLY. TEXT AND TEXT LOCATION MAY VARY DEPENDING ON PART NUMBER AND/OR TOOL.
- PART DESIGNED IN INCHES.

SYMBOLS		THIS DRAWING CONTAINS INFORMATION THAT IS PROPRIETARY TO MOLEX ELECTRONIC TECHNOLOGIES, LLC AND SHOULD NOT BE USED WITHOUT WRITTEN PERMISSION	
DIMENSION UNITS	SCALE	CURRENT REV DESC: RELEASED	
$\nabla = 0$	IN/MM	4:1	EC NO: 623888 DRWN: MKIPPER 2019/09/06 CHK'D: DSTEIER 2019/09/13 APPR: FSMITH 2019/09/17
$\nabla = 0$	GENERAL TOLERANCES (UNLESS SPECIFIED)		
$\nabla = 0$		MM	INCH
$\nabla = 0$	4 PLACES	±	±
$\nabla = 0$	3 PLACES	±	± 0.005
$\nabla = 0$	2 PLACES	± 0.13	± 0.01
$\nabla = 0$	1 PLACE	± 0.25	±
$\nabla = 0$	0 PLACES	±	±
$\nabla = 0$	ANGULAR TOL	± 0.5 °	
$\nabla = 0$	DRAFT WHERE APPLICABLE MUST REMAIN WITHIN DIMENSIONS	THIRD ANGLE PROJECTION	DRAWING SERIES
			C-SIZE 43160

DOCUMENT NUMBER		DOC TYPE	DOC PART	REVISION
431600001-SD		PSD	000	A
MATERIAL NUMBER	CUSTOMER	SHEET NUMBER		
SEE CHARTS	GENERAL MARKET	1 OF 5		

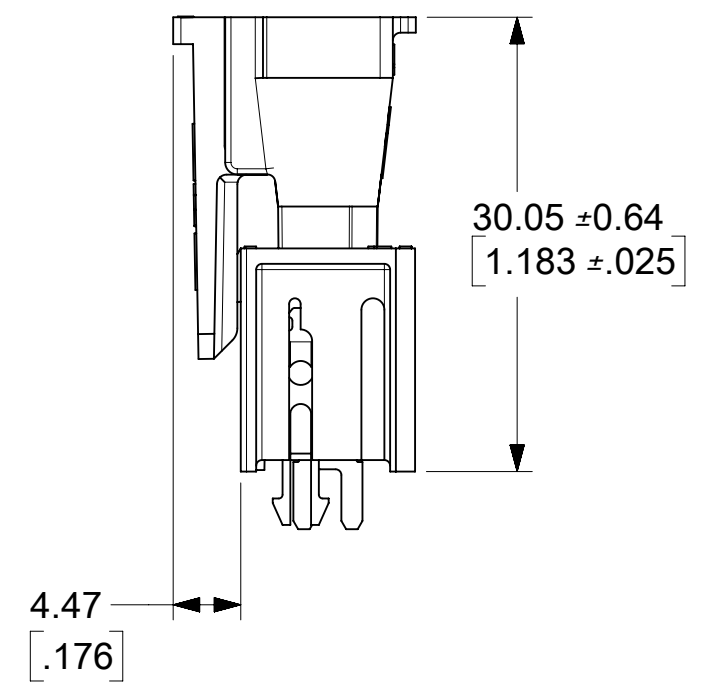
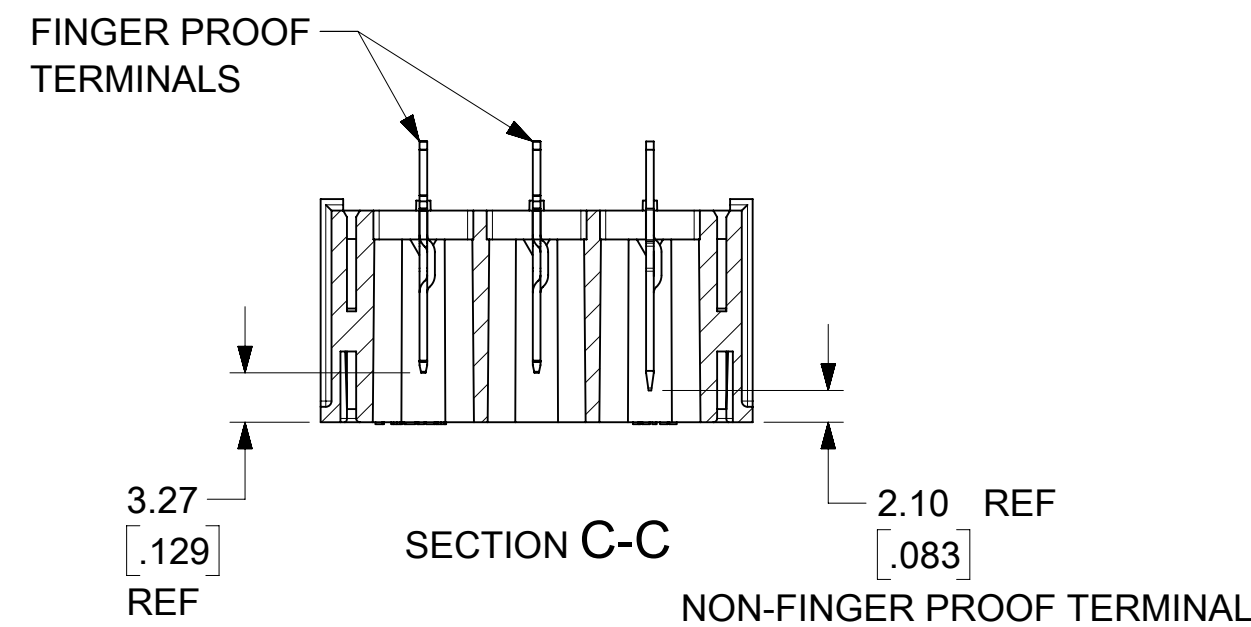
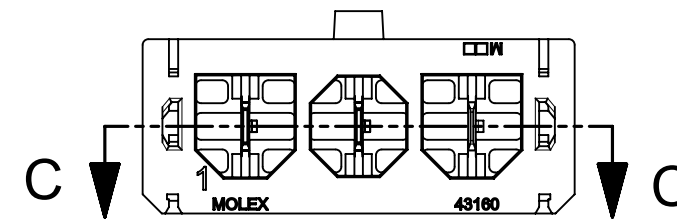
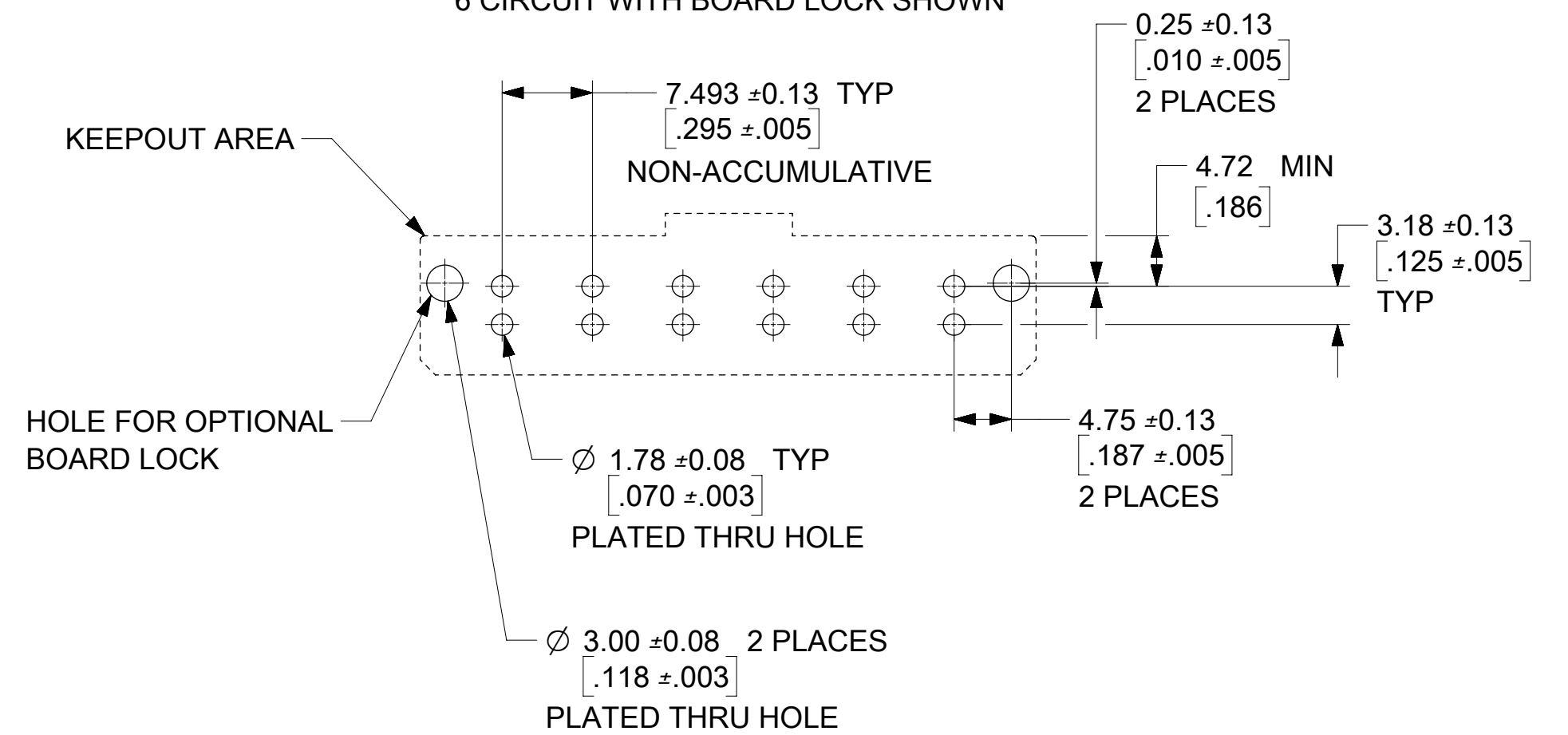
DOCUMENT STATUS	P1	RELEASE DATE	2019/09/17 14:17:52
-----------------	----	--------------	---------------------

THIS DRAWING REPLACES SDA-43160-****

VERTICAL HEADER ASSEMBLIES					
ASSEMBLY PART NO.	CIRCUITS	DIM. 'P' ± $\frac{0.51}{.020}$	BOARD LOCK	DIM. 'B' ± $\frac{0.10}{.004}$	PACKAGING SPEC.
43160-0102	2	3.81/(.150) (SHORT TAIL)	NO	N/A	PK-43160-0010
43160-0103	3				
43160-0104	4				
43160-0105	5				
43160-0106	6				
43160-0108	8				
43160-0302	2	5.33/(.210) (LONG TAIL)	NO	N/A	PK-43789-001
43160-0303	3				
43160-0304	4				
43160-0305	5				
43160-0306	6				
43160-0308	8				
43160-2102	2	3.81/(.150) (SHORT TAIL)	YES	1.78/(.070) FOR 1.57/(.062) PCB	PK-43789-001
43160-2103	3				
43160-2104	4				
43160-2105	5				
43160-2106	6				
43160-2108	8				
43160-4102	2	3.81/(.150) (SHORT TAIL)	YES	2.59/(.102) FOR 2.39/(.094) PCB	PK-43789-001
43160-4103	3				
43160-4104	4				
43160-4105	5				
43160-4106	6				
43160-4108	8				
43160-4302	2	5.33/(.210) (LONG TAIL)	YES	2.59/(.102) FOR 2.39/(.094) PCB	PK-43789-001
43160-4303	3				
43160-4304	4				
43160-4305	5				
43160-4306	6				
43160-4308	8				
43160-6302	2	5.33/(.210) (LONG TAIL)	YES	3.38/(.133) FOR 3.18/(.125) PCB	PK-43789-001
43160-6303	3				
43160-6304	4				
43160-6305	5				
43160-6306	6				
43160-6308	8				
ASSEMBLY PART NO.	CIRCUITS	DIM. 'P'	BOARD LOCK	DIM. 'B'	PACKAGING SPEC.

RECOMMENDED P.C. BOARD LAYOUT FOR VERTICAL HEADERS

6 CIRCUIT WITH BOARD LOCK SHOWN



HEADER WITH OPTIONAL FINGER PROOF TERMINAL
43160-9002 SHOWN

MATED DIMENSIONS VERTICAL HEADERS

FINGER PROOF VERTICAL HEADER ASSEMBLIES

ASSEMBLY PART NO.	CIRCUITS	FINGER PROOF TERMINAL CIRCUIT(S)	DIM. 'P' ± $\frac{0.51}{.020}$	BOARD LOCK	DIM. 'B' ± $\frac{0.10}{.004}$	PACKAGING SPEC.
43160-9002	3	1, 2	3.81/(.150) (SHORT TAIL)	NO	N/A	PK-43160-0010

SYMBOLS		THIS DRAWING CONTAINS INFORMATION THAT IS PROPRIETARY TO MOLEX ELECTRONIC TECHNOLOGIES, LLC AND SHOULD NOT BE USED WITHOUT WRITTEN PERMISSION		CURRENT REV/DESC: RELEASED	
▽ = 0	IN/MM	SCALE	2:1	GENERAL TOLERANCES (UNLESS SPECIFIED)	
▽ = 0	MM	INCH	±	EC NO: 623888	
▽ = 0	4 PLACES	±	±	DRWN: MKIPPER 2019/09/06	
▽ = 0	3 PLACES	±	± 0.005	CHK'D: DSTEIER 2019/09/13	
▽ = 0	2 PLACES	±	± 0.13	APPR: FSMITH 2019/09/17	
▽ = 0	1 PLACE	±	± 0.25	INITIAL REVISION:	
▽ = 0	0 PLACES	±	±	DRWN: MKIPPER 2019/09/06	
▽ = 0	ANGULAR TOL	±	± 0.5°	APPR: FSMITH 2019/09/17	
▽ = 0	DRAFT WHERE APPLICABLE MUST REMAIN WITHIN DIMENSIONS	THIRD ANGLE PROJECTION	DRAWING	SERIES	DOCUMENT NUMBER
▽ = 0			C-SIZE	43160	431600001-SD
DOCUMENT STATUS		P1	RELEASE DATE	2019/09/17 14:17:52	DOC TYPE
					PSD
					DOC PART
					000
					REVISION
					A
MATERIAL NUMBER		CUSTOMER		SHEET NUMBER	
SEE CHARTS		GENERAL MARKET		2 OF 5	

molex

SABRE HEADER ASSEMBLY
2-6 & 8 CIRCUIT .125/(3.18) X .020/(0.51)

PRODUCT CUSTOMER DRAWING

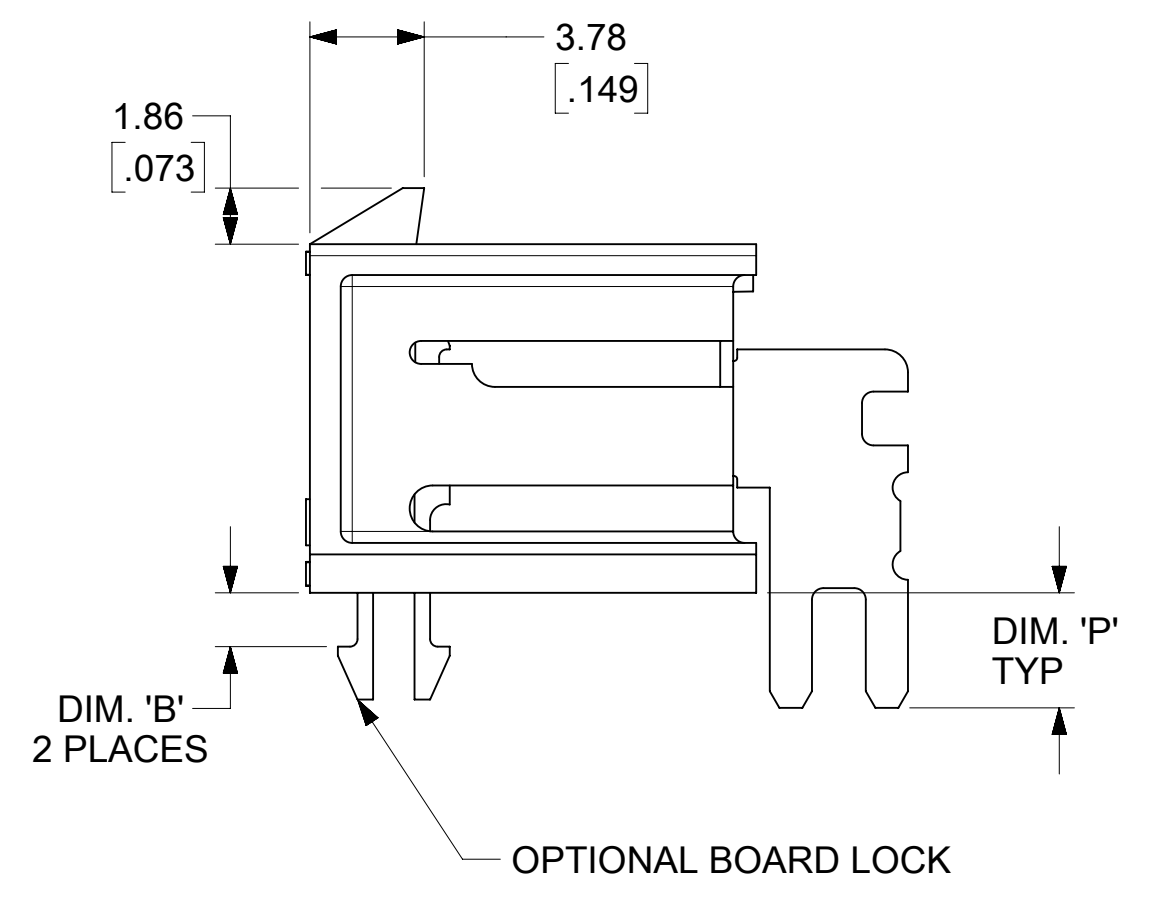
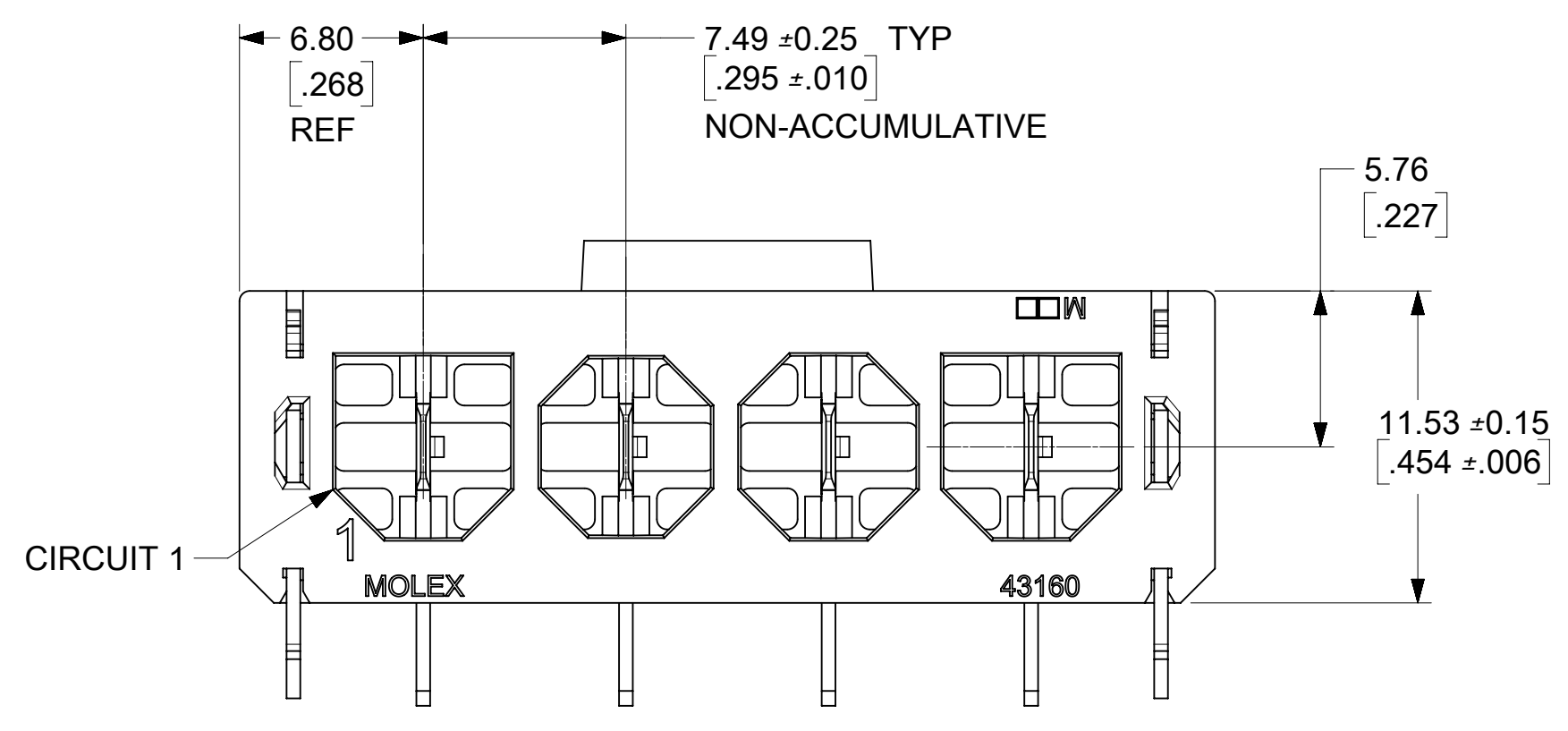
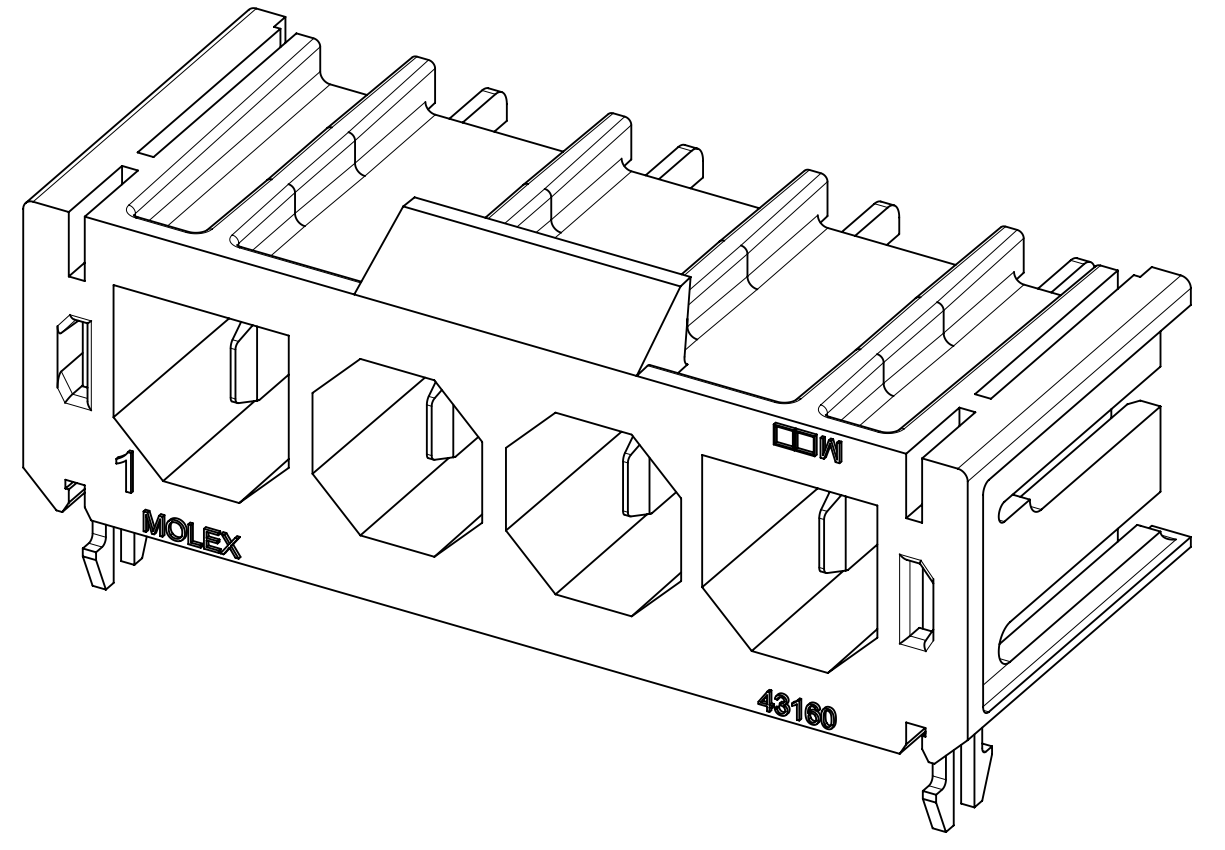
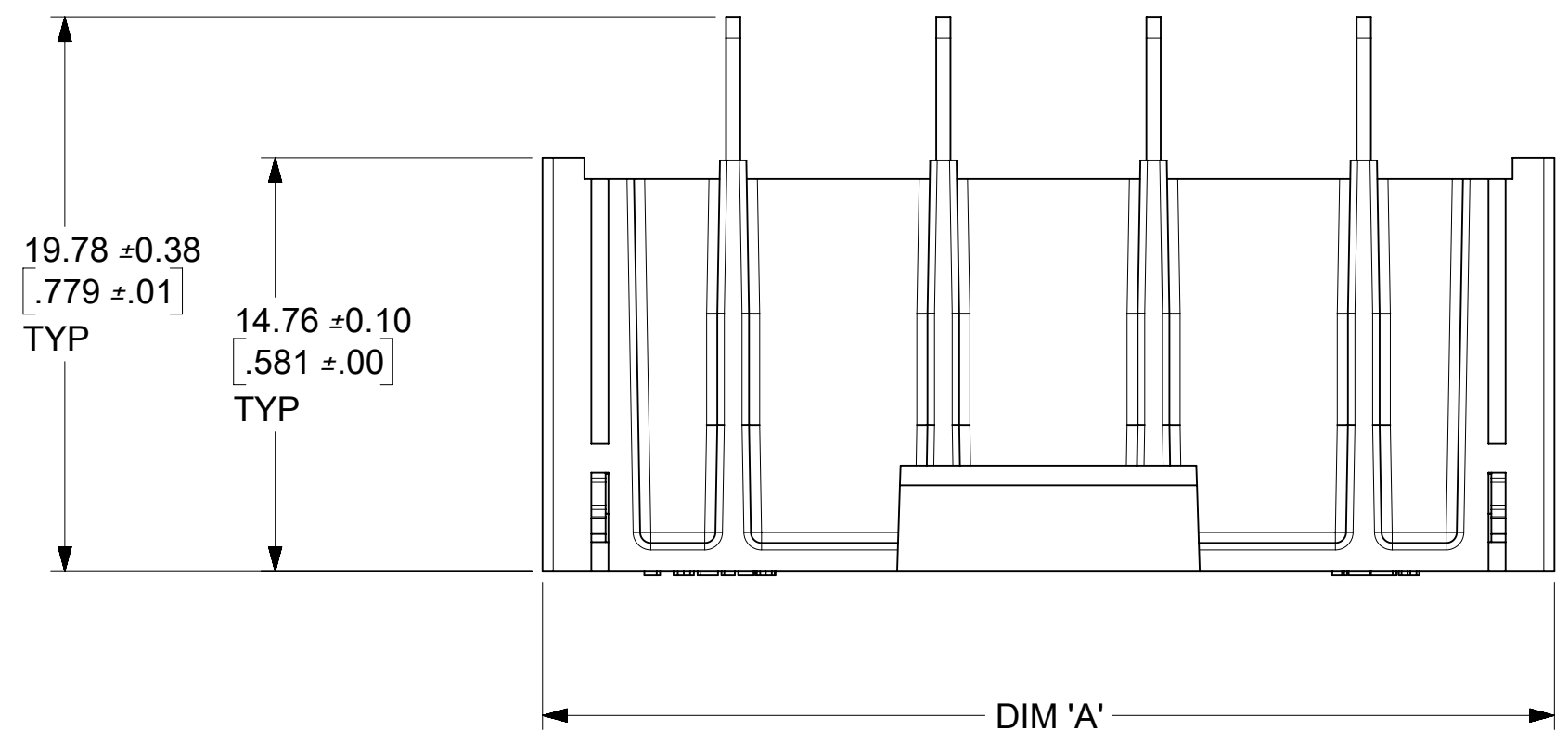
DOCUMENT NUMBER DOC TYPE DOC PART REVISION

431600001-SD PSD 000 A

MATERIAL NUMBER CUSTOMER SHEET NUMBER

SEE CHARTS GENERAL MARKET 2 OF 5

CIRCUITS	DIM. 'A' ±	0.33 .013
2	<u>21.08</u> .830	
3	<u>28.58</u> 1.125	
4	<u>36.07</u> 1.420	
5	<u>43.56</u> 1.715	
6	<u>51.05</u> 2.010	
8	<u>66.04</u> 2.600	

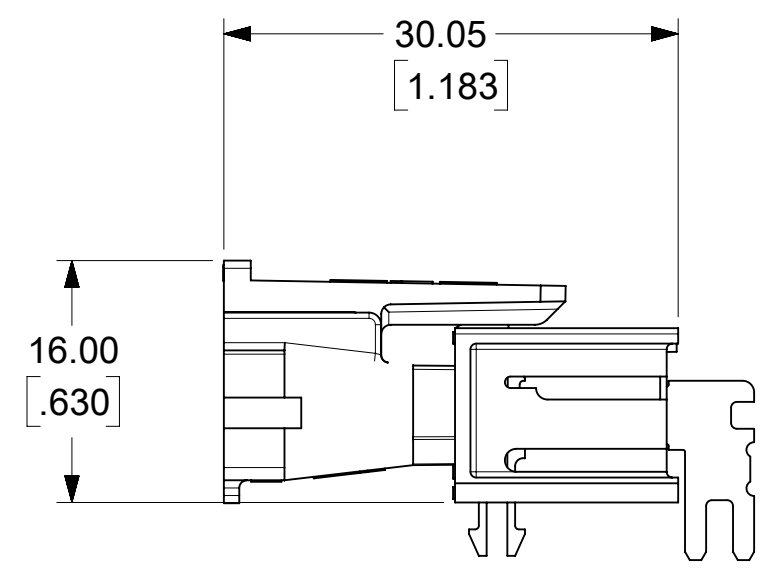
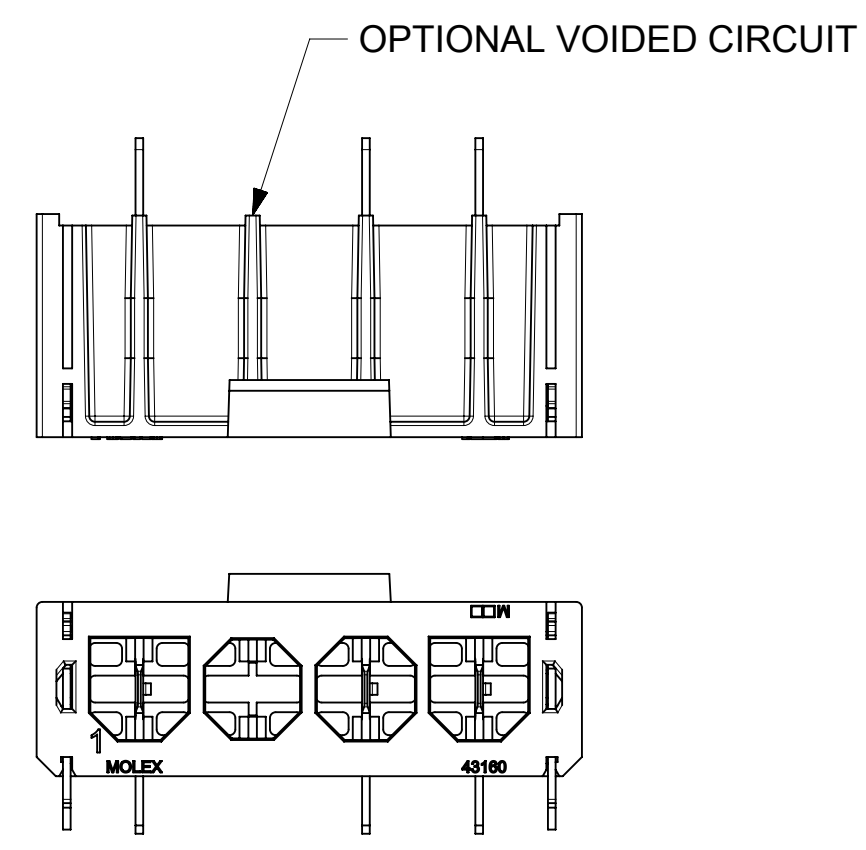
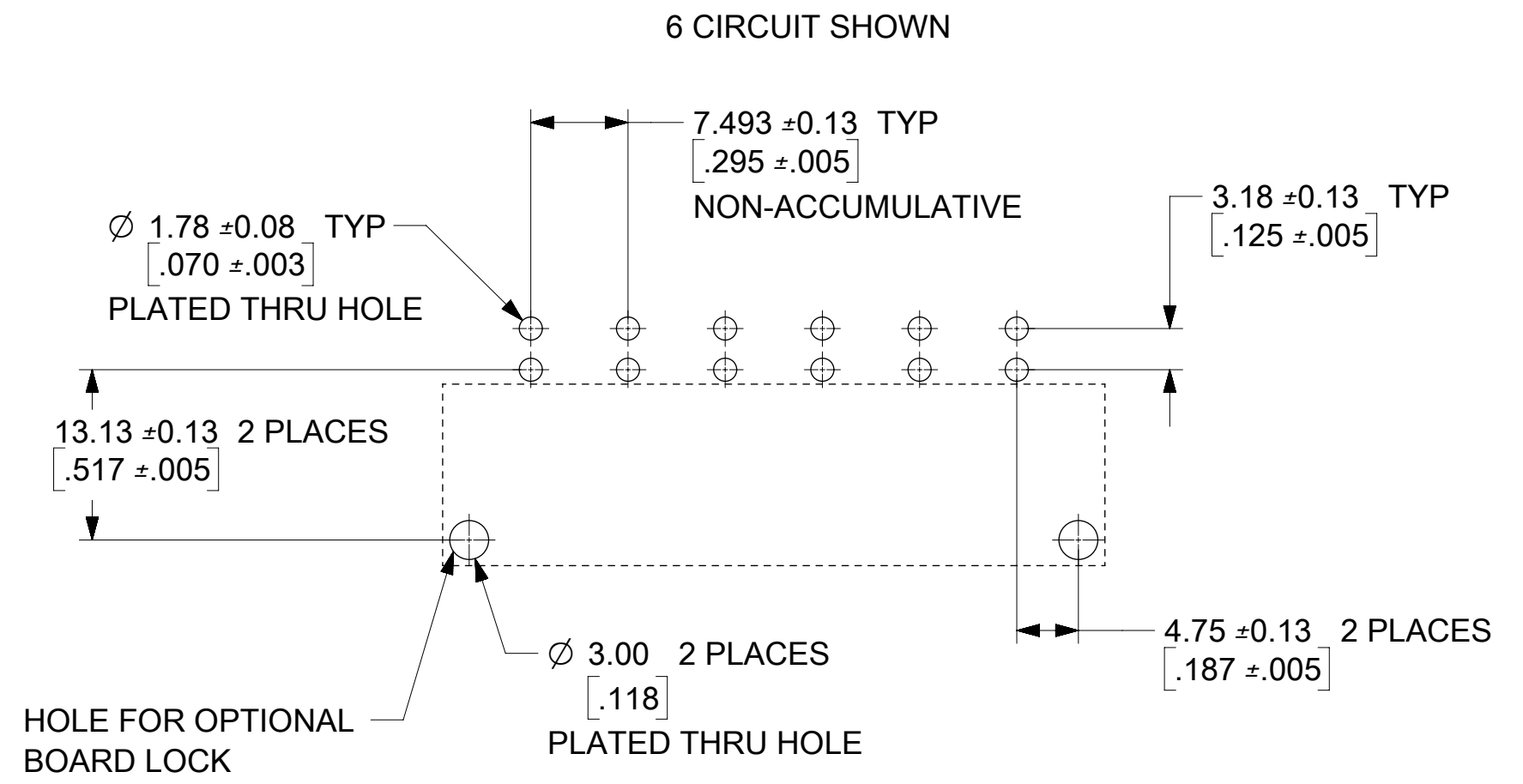


SYMBOLS										THIS DRAWING CONTAINS INFORMATION THAT IS PROPRIETARY TO MOLEX ELECTRONIC TECHNOLOGIES, LLC AND SHOULD NOT BE USED WITHOUT WRITTEN PERMISSION									
DIMENSION UNITS					SCALE					CURRENT REV DESC: RELEASED									
∇ = 0	IN/MM	4:1								EC NO: 623888			2019/09/06						
∇ = 0	GENERAL TOLERANCES (UNLESS SPECIFIED)				DRWN: MKIPPER						2019/09/13								
∇ = 0					CHK'D: DSTEIER						2019/09/17								
S = 0	4 PLACES	±	MM	±	INCH	±	APPR: FSMITH			2019/09/17									
∇ = 0	3 PLACES	±			± 0.005		INITIAL REVISION:			2019/09/06									
∇ = 0	2 PLACES	±	0.13	±	0.01	DRWN: MKIPPER			2019/09/17										
∇ = 0	1 PLACE	±	0.25	±	APPR: FSMITH			2019/09/17											
∇ = 0	0 PLACES	±			±		THIRD ANGLE PROJECTION			DRAWING SERIES									
∇ = 0	ANGULAR TOL	±	0.5 °				C-SIZE			43160									
∇ = 0	DRAFT WHERE APPLICABLE MUST REMAIN WITHIN DIMENSIONS				MATERIAL NUMBER				CUSTOMER				SHEET NUMBER						
				SEE CHARTS				GENERAL MARKET				3 OF 5							

DOCUMENT STATUS	P1	RELEASE DATE	2019/09/17	14:17:52
-----------------	----	--------------	------------	----------

RIGHT ANGLE HEADER ASSEMBLIES					
ASSEMBLY PART NO.	CIRCUITS	DIM. 'P' ± $\frac{0.28}{.011}$	BOARD LOCK	DIM. 'B' ± $\frac{0.10}{.004}$	PACKAGING SPEC.
43160-1102	2	3.81/(.150) (SHORT TAIL)	NO	N/A	PK-43160-0010
43160-1103	3				
43160-1104	4				
43160-1105	5				
43160-1106	6				
43160-1108	8				
43160-1302	2	5.33/(.210) (LONG TAIL)	NO	N/A	PK-43789-001
43160-1303	3				
43160-1304	4				
43160-1305	5				
43160-1306	6				
43160-1308	8				
43160-3102	2	3.81/(.150) (SHORT TAIL)	YES	1.78/(.070) FOR 1.57/(.062) PCB	PK-43789-001
43160-3103	3				
43160-3104	4				
43160-3105	5				
43160-3106	6				
43160-3108	8				
43160-5102	2	3.81/(.150) (SHORT TAIL)	YES	2.59/(.102) FOR 2.39/(.094) PCB	PK-43789-001
43160-5103	3				
43160-5104	4				
43160-5105	5				
43160-5106	6				
43160-5108	8				
43160-5302	2	5.33/(.210) (LONG TAIL)	YES	2.59/(.102) FOR 2.39/(.094) PCB	PK-43789-001
43160-5303	3				
43160-5304	4				
43160-5305	5				
43160-5306	6				
43160-5308	8				
43160-7302	2	5.33/(.210) (LONG TAIL)	YES	3.38/(.133) FOR 3.18/(.125) PCB	PK-43789-001
43160-7303	3				
43160-7304	4				
43160-7305	5				
43160-7306	6				
43160-7308	8				
ASSEMBLY PART NO.	CIRCUITS	DIM. 'P'	BOARD LOCK	DIM. 'B'	PACKAGING SPEC.

RECOMMENDED P.C. BOARD LAYOUT FOR RIGHT ANGLE HEADERS

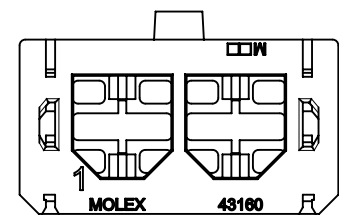


MATED DIMENSIONS RIGHT ANGLE HEADERS

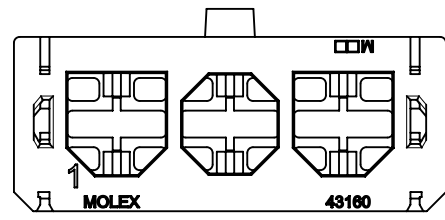
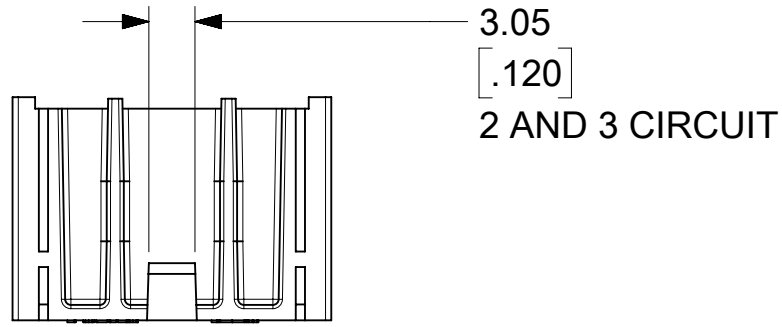
RIGHT ANGLE HEADER ASSEMBLIES WITH VOIDED TERMINALS						
ASSEMBLY PART NO.	CIRCUITS	DIM. 'P' ± $\frac{0.28}{.011}$	BOARD LOCK	DIM. 'B' ± $\frac{0.10}{.004}$	PACKAGING SPEC.	VOID CIRCUIT(S)
43160-9001	4	3.81/(.150)	YES	1.78/(.070) FOR 1.57/(.062) PCB	PK-43789-001	2
43160-9003	5	(SHORT TAIL)				2, 4

OPTIONAL VOIDED TERMINAL 43160-9001 SHOWN

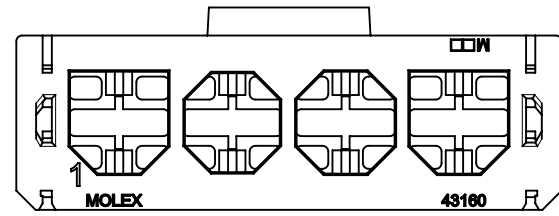
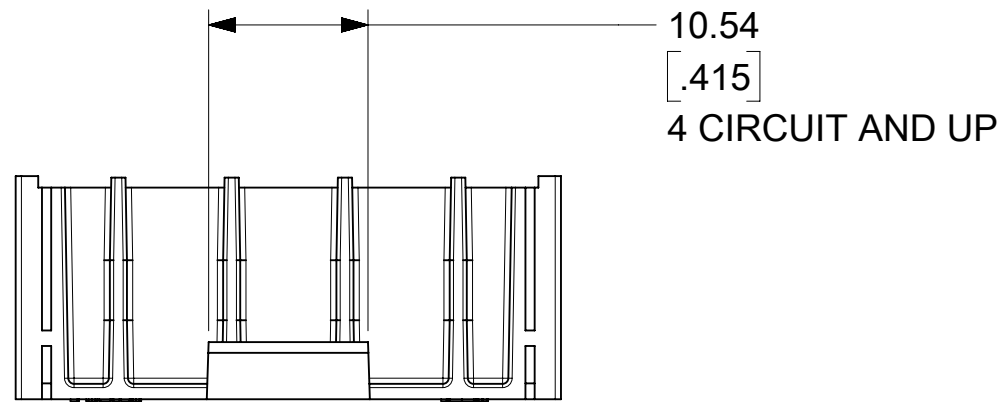
SYMBOLS	THIS DRAWING CONTAINS INFORMATION THAT IS PROPRIETARY TO MOLEX ELECTRONIC TECHNOLOGIES, LLC AND SHOULD NOT BE USED WITHOUT WRITTEN PERMISSION					
	DIMENSION UNITS		SCALE		CURRENT REV/DESC: RELEASED	
▽ = 0	IN/MM		2:1		molex SABRE HEADER ASSEMBLY 2-6 & 8 CIRCUIT .125/(3.18) X .020/(0.51)	
▽ = 0	GENERAL TOLERANCES (UNLESS SPECIFIED)					
▽ = 0	MM		INCH			
▽ = 0	4 PLACES	±	±	EC NO: 623888		
▽ = 0	3 PLACES	±	± 0.005	DRWN: MKIPPER 2019/09/06		
▽ = 0	2 PLACES	± 0.13	± 0.01	CHK'D: DSTEIER 2019/09/13		
▽ = 0	1 PLACE	± 0.25	±	APPR: FSMITH 2019/09/17		
▽ = 0	0 PLACES	±	±	INITIAL REVISION:		
▽ = 0	ANGULAR TOL ± 0.5°		THIRD ANGLE PROJECTION		DRWN: MKIPPER 2019/09/06	
▽ = 0	DRAFT WHERE APPLICABLE MUST REMAIN WITHIN DIMENSIONS		DRAWING		SERIES	
▽ = 0			C-SIZE		43160	
DOCUMENT STATUS			P1		RELEASE DATE	
2019/09/17			14:17:52			
DOCUMENT NUMBER			DOC TYPE		DOC PART	
431600001-SD			PSD		000	
MATERIAL NUMBER			CUSTOMER		SHEET NUMBER	
SEE CHARTS			GENERAL MARKET		4 OF 5	



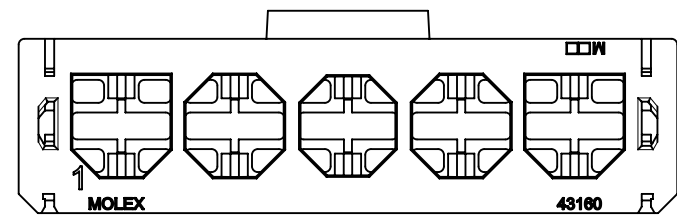
2 CIRCUITS



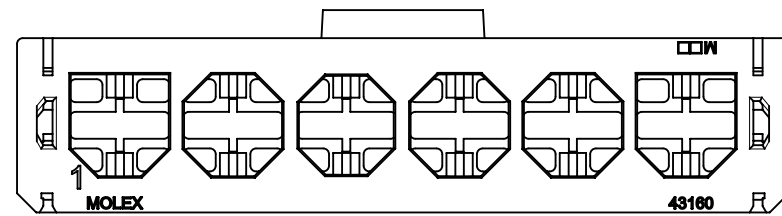
3 CIRCUITS



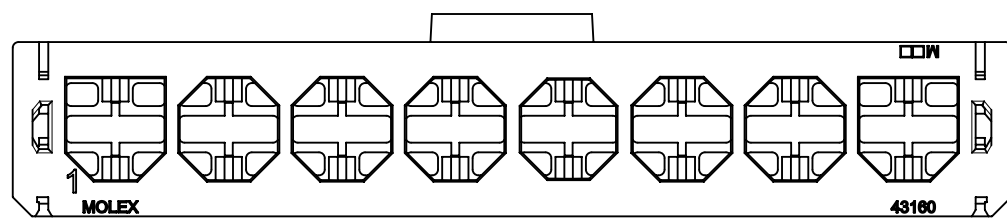
4 CIRCUITS



5 CIRCUITS



6 CIRCUITS



8 CIRCUITS

POLARIZATION

SYMBOLS	THIS DRAWING CONTAINS INFORMATION THAT IS PROPRIETARY TO MOLEX ELECTRONIC TECHNOLOGIES, LLC AND SHOULD NOT BE USED WITHOUT WRITTEN PERMISSION										
	DIMENSION UNITS		SCALE		CURRENT REV DESC: RELEASED						
▽ = 0	MM/INCH		2:1		molex SABRE HEADER ASSEMBLY 2-6 & 8 CIRCUIT .125/(3.18) X .020/(0.51)						
▽ = 0	GENERAL TOLERANCES (UNLESS SPECIFIED)										
▽ = 0			MM	INCH	EC NO: 623888 DRWN: MKIPPER 2019/09/06 CHK'D: DSTEIER 2019/09/13 APPR: FSMITH 2019/09/17						
▽ = 0	4 PLACES	±	±								
▽ = 0	3 PLACES	±	± 0.005		INITIAL REVISION: DRWN: MKIPPER 2019/09/06 APPR: FSMITH 2019/09/17						
▽ = 0	2 PLACES	± 0.13	± 0.01								
▽ = 0	1 PLACE	± 0.25	±		PRODUCT CUSTOMER DRAWING DOCUMENT NUMBER: 431600001-SD DOC TYPE: PSD DOC PART: 000 REVISION: A						
▽ = 0	0 PLACES	±	±								
▽ = 0	ANGULAR TOL		± 0.5 °		THIRD ANGLE PROJECTION		DRAWING	SERIES	MATERIAL NUMBER	CUSTOMER	SHEET NUMBER
▽ = 0	DRAFT WHERE APPLICABLE MUST REMAIN WITHIN DIMENSIONS						C-SIZE	43160	SEE CHARTS	GENERAL MARKET	5 OF 5