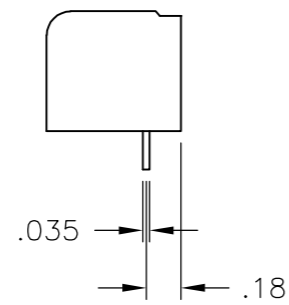
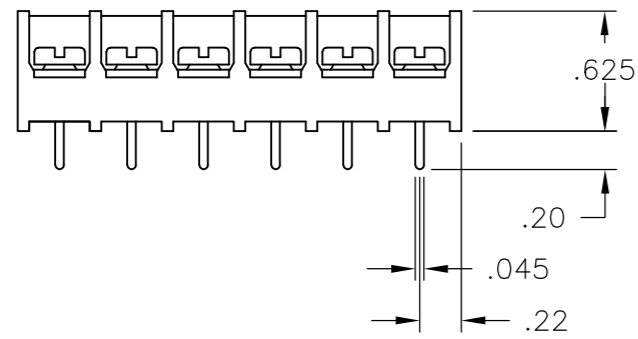
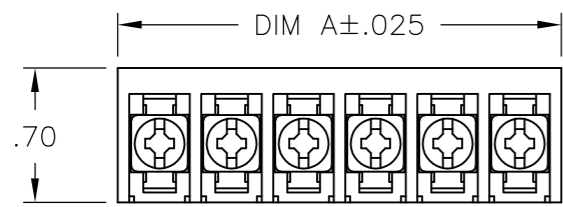


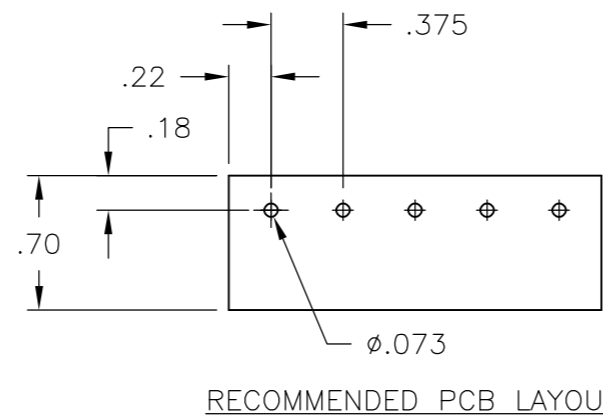
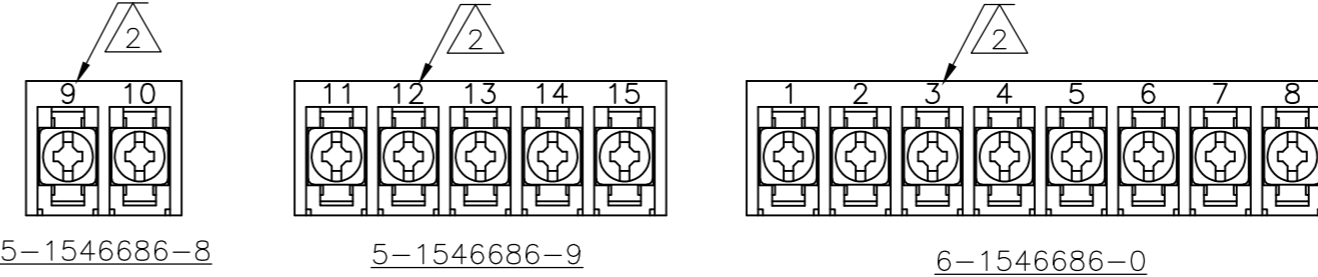
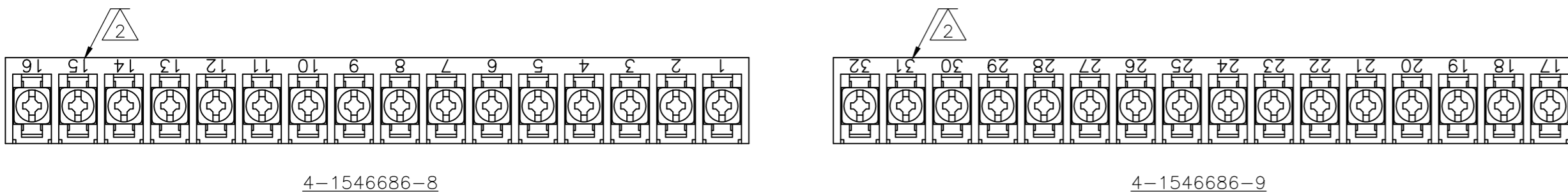
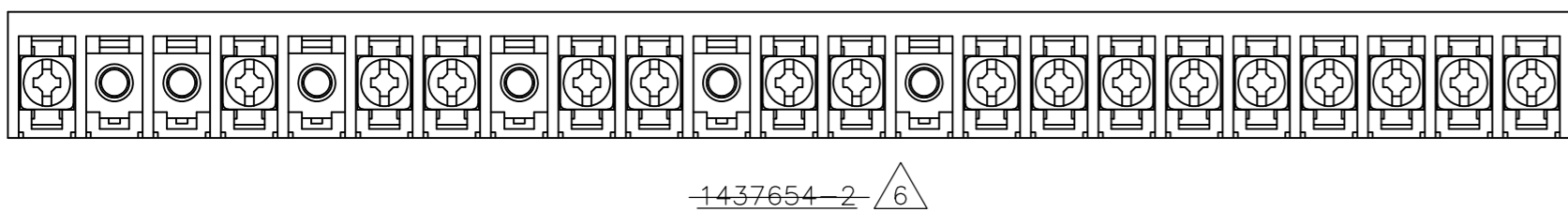
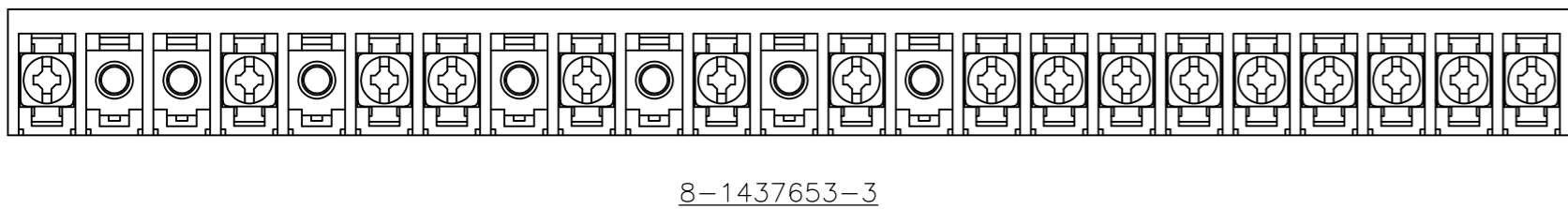
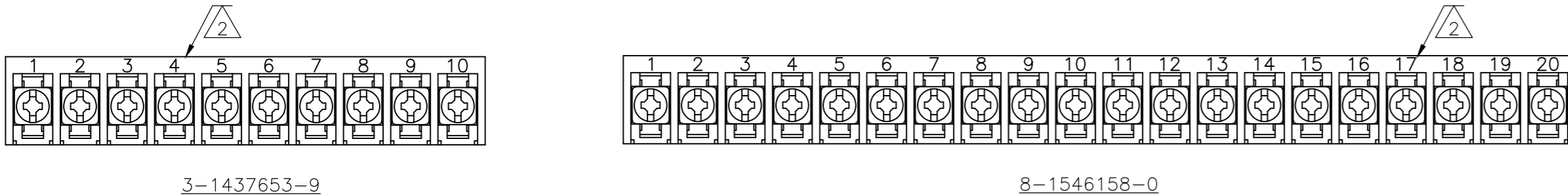
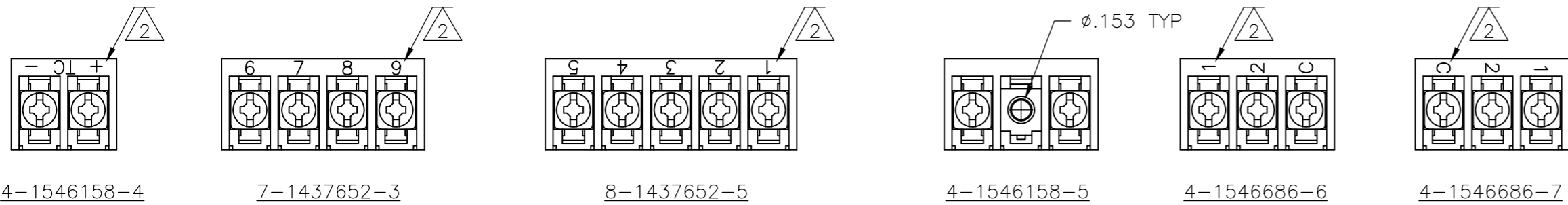
THIS DRAWING IS UNPUBLISHED. RELEASED FOR PUBLICATION  
 © COPYRIGHT - By - ALL RIGHTS RESERVED.

| LOC | DIST | REVISIONS |     |                           |           |     |      |
|-----|------|-----------|-----|---------------------------|-----------|-----|------|
| FT  | 0    | P         | LTR | DESCRIPTION               | DATE      | DWN | APVD |
|     |      | P         |     | REVISED PER ECO-13-011850 | 13NOV2013 | KH  | MB   |



DETAIL FOR P/N's 1-1546160-6, 1-1546160-7 AND 1-1546160-8

- 1 CAPTIVE SCREWS.
- 2 MARK WITH WHITE PERMANENT INK.
- 3 ALL SCREWS TO BE DRIVEN DOWN TO TERMINAL SURFACE.
- 4 NICKEL PLATED BRASS SCREWS.
- 5 PRELIMINARY PART NUMBER.
- 6 OBSOLETE PARTS: OBSOLETE CIS STREAMLINING PER D.RENAUD/D.SINISI



MATERIAL:  
 HOUSING: THERMOPLASTIC, UL94V-0 BLACK.  
 TERMINALS: BRIGHT TIN PLATED, COPPER ALLOY.  
 SCREWS: 6-32, STEEL, ZINC PLATED WITH CLEAR CHROMATE.

ELECTRICAL:  
 CURRENT RATING UL/CSA:  
 CLASS C: 25A, 300V.  
 CLASS D: 5A, 600V.  
 WIRE RANGE: 12-22 AWG

MECHANICAL:  
 RECOMMENDED TIGHTENING TORQUE: 7 IN-LBS.  
 OPERATING TEMP.: 105°C MAX

| REV    | DATE | DESCRIPTION  | BY          | CHKD | APVD |
|--------|------|--------------|-------------|------|------|
| 11.311 | 30   | 6PCV-30-006  | 4-1546686-5 |      |      |
| 10.936 | 29   | 6PCV-29-006  | 1-1437656-2 |      |      |
| 10.561 | 28   | 6PCV-28-006  | 8-1546158-6 |      |      |
| 10.186 | 27   | 6PCV-27-006  | 8-1546158-5 |      |      |
| 9.811  | 26   | 6PCV-26-006  | 4-1437654-5 |      |      |
| 9.436  | 25   | 6PCV-25-006  | 4-1437654-1 |      |      |
| 9.061  | 24   | 6PCV-24-006  | 8-1546158-2 |      |      |
| 8.686  | 23   | 6PCV-23-006  | 4-1546686-3 |      |      |
| 8.311  | 22   | 6PCV-22-006  | 3-1437654-4 |      |      |
| 7.936  | 21   | 6PCV-21-006  | 3-1437654-1 |      |      |
| 7.561  | 20   | 6PCV-20-323  | 8-1546158-0 |      |      |
| 7.561  | 20   | 6PCV-20-006  | 1-1437654-9 |      |      |
| 7.186  | 19   | 6PCV-19-006  | 1-1437654-4 |      |      |
| 6.811  | 18   | 6PCV-18-006  | 1437654-7   |      |      |
| 6.886  | 17   | 6PCV-17-899  | 1437654-2   |      |      |
| 6.436  | 17   | 6PCV-17-006  | 9-1437653-8 |      |      |
| 6.061  | 16   | 6PCV-16-1389 | 4-1546686-9 |      |      |
| 6.061  | 16   | 6PCV-16-1388 | 4-1546686-8 |      |      |
| 6.061  | 16   | 6PCV-16-1047 | 8-1437653-3 |      |      |
| 6.061  | 16   | 6PCV-16-006  | 8-1437653-0 |      |      |
| 5.686  | 15   | 6PCV-15-1298 | 1-1546160-8 |      |      |
| 5.686  | 15   | 6PCV-15-006  | 7-1437653-4 |      |      |
| 5.311  | 14   | 6PCV-14-006  | 6-1437653-8 |      |      |
| 4.936  | 13   | 6PCV-13-1297 | 1-1546160-7 |      |      |
| 4.936  | 13   | 6PCV-13-006  | 6-1437653-3 |      |      |
| 4.561  | 12   | 6PCV-12-1296 | 1-1546160-6 |      |      |
| 4.561  | 12   | 6PCV-12-006  | 5-1437653-1 |      |      |
| 4.186  | 11   | 6PCV-11-006  | 4-1437653-5 |      |      |
| 3.811  | 10   | 6PCV-10-1269 | 3-1437653-9 |      |      |
| 3.811  | 10   | 6PCV-10-006  | 3-1437653-5 |      |      |
| 3.436  | 9    | 6PCV-09-002  | 1546262-3   |      |      |
| 3.436  | 9    | 6PCV-09-006  | 2-1437653-5 |      |      |
| 3.061  | 8    | 6PCV-08-1394 | 1546262-7   |      |      |
| 3.061  | 8    | 6PCV-08-1314 | 1-1437653-7 |      |      |
| 3.061  | 8    | 6PCV-08-006  | 1-1437653-3 |      |      |
| 2.686  | 7    | 6PCV-07-1399 | 1546262-9   |      |      |
| 2.686  | 7    | 6PCV-07-006  | 1437653-7   |      |      |
| 2.311  | 6    | 6PCV-06-1398 | 1546262-8   |      |      |
| 2.311  | 6    | 6PCV-06-002  | 1546262-4   |      |      |
| 2.311  | 6    | 6PCV-06-006  | 9-1437652-5 |      |      |
| 1.936  | 5    | 6PCV-05-002  | 5-1546686-0 |      |      |
| 1.936  | 5    | 6PCV-05-1267 | 8-1437652-5 |      |      |
| 1.936  | 5    | 6PCV-05-006  | 8-1437652-2 |      |      |
| 1.561  | 4    | 6PCV-04-1268 | 7-1437652-3 |      |      |
| 1.561  | 4    | 6PCV-04-1143 | 7-1437652-2 |      |      |
| 1.561  | 4    | 6PCV-04-006  | 6-1437652-7 |      |      |
| 1.186  | 3    | 6PCV-03-1385 | 4-1546686-7 |      |      |
| 1.186  | 3    | 6PCV-03-1384 | 4-1546686-6 |      |      |
| 1.186  | 3    | 6PCV-03-006  | 5-1437652-4 |      |      |
| .811   | 2    | 6PCV-02-1393 | 1546262-6   |      |      |
| 1.186  | 2    | 6PCV-02-807  | 4-1546158-5 |      |      |
| .811   | 2    | 6PCV-02-1313 | 4-1437652-5 |      |      |
| .811   | 2    | 6PCV-02-1216 | 4-1546158-4 |      |      |
| .811   | 2    | 6PCV-02-006  | 3-1437652-9 |      |      |

|  |        |                  |          |           |
|--|--------|------------------|----------|-----------|
| THIS DRAWING IS A CONTROLLED DOCUMENT. |        | DWN              | R BROWN  | 22APR03   |
| DIMENSIONS: INCHES                     |        | CHK              | H WAKEEM | 22APR03   |
| TOLERANCES UNLESS OTHERWISE SPECIFIED: |        | APVD             | H WAKEEM | 22APR03   |
| 0 PLC                                  | ± -    | NAME             |          |           |
| 1 PLC                                  | ± -    | 6PCV-XX-006      |          |           |
| 2 PLC                                  | ± .02  | SIZE             | A2       | CAGE CODE |
| 3 PLC                                  | ± .010 | DRAWING NO       | 00779    | 00779     |
| 4 PLC                                  | ± -    | RESTRICTED TO    | -        |           |
| ANGLES                                 | ± 1°   | SCALE            | 1:1      | SHEET     |
| MATERIAL                               | FINISH | WEIGHT           | -        | 1 OF 2    |
| RECOMMENDED PCB LAYOUT                 |        | CUSTOMER DRAWING | REV P    |           |

THIS DRAWING IS UNPUBLISHED. RELEASED FOR PUBLICATION  
 © COPYRIGHT - By - ALL RIGHTS RESERVED.

| LOC | DIST | REVISIONS |     |             |      |     |      |
|-----|------|-----------|-----|-------------|------|-----|------|
| FT  | 0    | P         | LTR | DESCRIPTION | DATE | DWN | APVD |
|     |      | -         |     | SEE SHEET 1 | -    | -   | -    |

| DIM A REF | NO OF POS | CATALOG NUMBER | PART NUMBER |
|-----------|-----------|----------------|-------------|
| 3.061     | 8         | 6PCV-08-2006   | 6-1546686-0 |
| 1.936     | 5         | 6PCV-05-2006   | 5-1546686-9 |
| .811      | 2         | 6PCV-02-2006   | 5-1546686-8 |
| 1.936     | 5         | 6PCV-05-006    | 5-1546686-7 |
| 1.186     | 3         | 6PCV-03-006-1  | 5-1546686-6 |

SEE FIGURE 1



|  |   |                  |          |               |               |        |     |   |       |   |     |       |   |      |       |   |   |        |   |    |              |      |
|--|---|------------------|----------|---------------|---------------|--------|-----|---|-------|---|-----|-------|---|------|-------|---|---|--------|---|----|--------------|------|
| THIS DRAWING IS A CONTROLLED DOCUMENT.   |   | DWN              | R BROWN  | 22APR03       |               |        |     |   |       |   |     |       |   |      |       |   |   |        |   |    |              |      |
| DIMENSIONS: INCHES   |   | CHK              | H WAKEEM | 22APR03       |               |        |     |   |       |   |     |       |   |      |       |   |   |        |   |    |              |      |
| TOLERANCES UNLESS OTHERWISE SPECIFIED:   |   | APVD             | H WAKEEM | 22APR03       |               |        |     |   |       |   |     |       |   |      |       |   |   |        |   |    |              |      |
| <table border="0"> <tr><td>0 PLC</td><td>±</td><td>-</td></tr> <tr><td>1 PLC</td><td>±</td><td>-</td></tr> <tr><td>2 PLC</td><td>±</td><td>.02</td></tr> <tr><td>3 PLC</td><td>±</td><td>.010</td></tr> <tr><td>4 PLC</td><td>±</td><td>-</td></tr> <tr><td>ANGLES</td><td>±</td><td>1°</td></tr> </table> |   | 0 PLC            | ±        | -             |               | 1 PLC  | ±   | - | 2 PLC | ± | .02 | 3 PLC | ± | .010 | 4 PLC | ± | - | ANGLES | ± | 1° | PRODUCT SPEC | NAME |
| 0 PLC  | ± | -                |          |               |               |        |     |   |       |   |     |       |   |      |       |   |   |        |   |    |              |      |
| 1 PLC  | ± | -                |          |               |               |        |     |   |       |   |     |       |   |      |       |   |   |        |   |    |              |      |
| 2 PLC  | ± | .02              |          |               |               |        |     |   |       |   |     |       |   |      |       |   |   |        |   |    |              |      |
| 3 PLC  | ± | .010             |          |               |               |        |     |   |       |   |     |       |   |      |       |   |   |        |   |    |              |      |
| 4 PLC  | ± | -                |          |               |               |        |     |   |       |   |     |       |   |      |       |   |   |        |   |    |              |      |
| ANGLES   | ± | 1°               |          |               |               |        |     |   |       |   |     |       |   |      |       |   |   |        |   |    |              |      |
| MATERIAL   |   | APPLICATION SPEC |          | 6PCV-XX-006   |               |        |     |   |       |   |     |       |   |      |       |   |   |        |   |    |              |      |
| FINISH   |   | WEIGHT           | A2 00779 |               | RESTRICTED TO |        |     |   |       |   |     |       |   |      |       |   |   |        |   |    |              |      |
| -  |   | -                |          | C=3-1437652-9 |               |        |     |   |       |   |     |       |   |      |       |   |   |        |   |    |              |      |
| CUSTOMER DRAWING   |   |                  | SCALE    | 1:1           | SHEET         | 2 of 2 | REV | P |       |   |     |       |   |      |       |   |   |        |   |    |              |      |

3-1437652-9

# Mouser Electronics

Authorized Distributor

Click to View Pricing, Inventory, Delivery & Lifecycle Information:

[TE Connectivity:](#)

[6PCV-22-006](#)