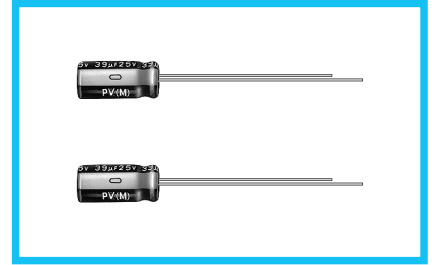


ALUMINUM ELECTROLYTIC CAPACITORS

PV series Miniature Sized, Low Impedance, High Reliability



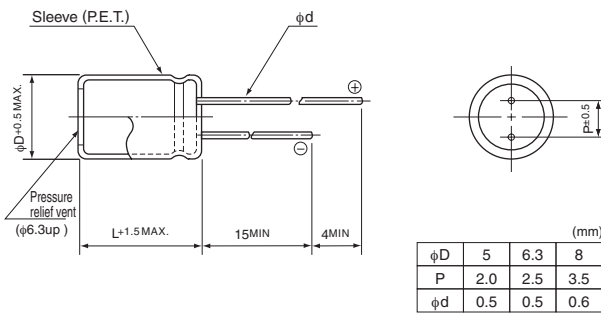
- Miniature sized low impedance series withstanding 5000 hours load life at +105°C.
- Compliant to the RoHS directive (2011/65/EU).



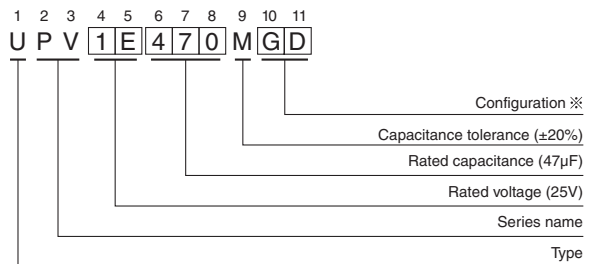
Specifications

Item	Performance Characteristics							
Category Temperature Range	-55 to +105°C							
Rated Voltage Range	6.3 to 50V							
Rated Capacitance Range	0.47 to 390μF							
Capacitance Tolerance	±20% at 120Hz, 20°C							
Leakage Current	After 1 minute's application of rated voltage at 20°C, leakage current is not more than 0.03CV or 4 (μA), whichever is greater.							
Tangent of loss angle (tan δ)	Measurement frequency : 120Hz at 20°C							
	Rated voltage (V)	6.3	10	16	25	35	50	
Stability at Low Temperature	Measurement frequency : 120Hz							
	Impedance ratio ZT / Z20 (MAX.)	Z-55°C / Z+20°C	5	5	4	3	3	2
Endurance	The specifications listed at right shall be met when the capacitors are restored to 20°C after the rated voltage is applied for 5000 hours at 105°C.						Capacitance change	Within ±30% of the initial capacitance value
							tan δ	300% or less than the initial specified value
							Leakage current	Less than or equal to the initial specified value
Shelf Life	After storing the capacitors under no load at 105°C for 1000 hours and then performing voltage treatment based on JIS C 5101-4 clause 4.1 at 20°C, they shall meet the specified values for the endurance characteristics listed at right.						Capacitance change	Within ±20% of the initial capacitance value
							tan δ	150% or less than the initial specified value
							Leakage current	Less than or equal to the initial specified value
Marking	Printed with white color letter on dark brown sleeve.							

Radial Lead Type



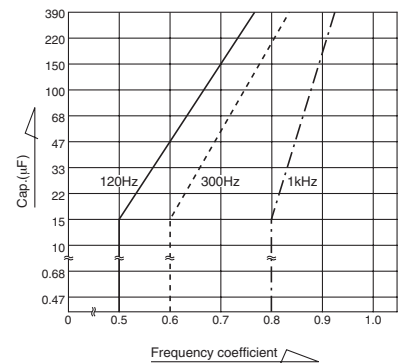
Type numbering system (Example : 25V 47μF)



※ Configuration

φ D	Pb-free leadwire Pb-free PET sleeve
5	FD
6.3 · 8	GD

- Frequency coefficient of rated ripple current (10kHz to 200kHz=1)



Please refer to page 20, 21, 22 about the formed or taped product spec.
Please refer to page 4 for the minimum order quantity.

- Dimension table in next page.

■ Dimensions

V(Code)		6.3 (0J)			10 (1A)			16 (1C)			25 (1E)			
Cap.(μ F)	Code	Item	Case size	Impedance	Rated ripple	Case size	Impedance	Rated ripple	Case size	Impedance	Rated ripple	Case size	Impedance	Rated ripple
			ϕ D \times L (mm)	(Ω) MAX. 20°C/100kHz	(mArms) 105°C/100kHz	ϕ D \times L (mm)	(Ω) MAX. 20°C/100kHz	(mArms) 105°C/100kHz	ϕ D \times L (mm)	(Ω) MAX. 20°C/100kHz	(mArms) 105°C/100kHz	ϕ D \times L (mm)	(Ω) MAX. 20°C/100kHz	(mArms) 105°C/100kHz
33	330											5 \times 11	1.40	155
39	390											5 \times 11	1.10	175
47	470								5 \times 11	1.40	155	6.3 \times 11	0.94	210
56	560								5 \times 11	1.10	175	6.3 \times 11	0.75	235
68	680				5 \times 11	1.40	155	6.3 \times 11	0.85	220	6.3 \times 11	0.61	260	
82	820				5 \times 11	1.10	175	6.3 \times 11	0.71	240	6.3 \times 11	0.51	285	
100	101	5 \times 11	1.50	150	6.3 \times 11	0.94	210	6.3 \times 11	0.60	265	8 \times 11.5	0.41	370	
120	121	5 \times 11	1.10	175	6.3 \times 11	0.75	235	6.3 \times 11	0.49	290	8 \times 11.5	0.34	405	
150	151	6.3 \times 11	0.83	225	6.3 \times 11	0.60	265	8 \times 11.5	0.39	375	8 \times 11.5	0.27	460	
180	181	6.3 \times 11	0.66	250	6.3 \times 11	0.49	290	8 \times 11.5	0.34	405				
220	221	6.3 \times 11	0.51	285	8 \times 11.5	0.41	370	8 \times 11.5	0.27	460				
270	271	8 \times 11.5	0.41	370	8 \times 11.5	0.34	405							
330	331	8 \times 11.5	0.34	405	8 \times 11.5	0.27	460							
390	391	8 \times 11.5	0.29	445										

V(Code)		35 (1V)			50 (1H)			
Cap.(μ F)	Code	Item	Case size	Impedance	Rated ripple	Case size	Impedance	Rated ripple
			ϕ D \times L (mm)	(Ω) MAX. 20°C/100kHz	(mArms) 105°C/100kHz	ϕ D \times L (mm)	(Ω) MAX. 20°C/100kHz	(mArms) 105°C/100kHz
0.47	R47				5 \times 11	32.0	22	
0.68	R68				5 \times 11	22.0	28	
1	010				5 \times 11	15.0	36	
1.5	1R5				5 \times 11	11.0	45	
2.2	2R2				5 \times 11	7.00	54	
3.3	3R3				5 \times 11	4.60	66	
4.7	4R7				5 \times 11	3.10	81	
6.8	6R8				5 \times 11	2.50	91	
10	100				5 \times 11	2.00	115	
12	120				5 \times 11	1.70	125	
15	150				5 \times 11	1.30	145	
18	180				5 \times 11	1.10	155	
22	220	5 \times 11	1.30	160	6.3 \times 11	0.91	195	
27	270	5 \times 11	1.00	180	6.3 \times 11	0.74	215	
33	330	6.3 \times 11	0.83	225	6.3 \times 11	0.60	240	
39	390	6.3 \times 11	0.70	245	6.3 \times 11	0.50	260	
47	470	6.3 \times 11	0.58	270	8 \times 11.5	0.42	330	
56	560	6.3 \times 11	0.48	295	8 \times 11.5	0.35	360	
68	680	8 \times 11.5	0.41	370	8 \times 11.5	0.28	410	
82	820	8 \times 11.5	0.32	415				
100	101	8 \times 11.5	0.27	460				

Mouser Electronics

Authorized Distributor

Click to View Pricing, Inventory, Delivery & Lifecycle Information:

Nichicon:

[UPV1V270MFD1TD](#) [UPV0J121MFD1TD](#) [UPV1E330MFD1TD](#) [UPV1V680MGD1TD](#) [UPV1A221MGD1TD](#)
[UPV1A101MGD1TD](#) [UPV1V330MGD1TD](#) [UPV1V820MGD1TD](#) [UPV1H3R3MFD1TD](#) [UPV1A331MGD1TD](#)
[UPV1V390MGD1TD](#) [UPV0J331MGD1TD](#) [UPV1H120MFD1TD](#) [UPV1H390MGD1TD](#) [UPV1H1R5MFD1TD](#)
[UPV1A121MGD1TD](#) [UPV1A151MGD1TD](#) [UPV1A181MGD1TD](#) [UPV1A680MFD1TD](#) [UPV1A820MFD1TD](#)
[UPV0J271MGD1TD](#) [UPV1E820MGD1TD](#) [UPV1H180MFD1TD](#) [UPV1E680MGD1TD](#) [UPV1E560MGD1TD](#)
[UPV0J391MGD1TD](#) [UPV1C560MFD1TD](#) [UPV1C680MGD1TD](#) [UPV0J181MGD1TD](#) [UPV0J151MGD1TD](#)
[UPV1H100MFD1TA](#) [UPV1A181MGD1TA](#) [UPV1A101MGD1TA](#) [UPV1C470MFD1TA](#) [UPV1A121MGD1TA](#)
[UPV1C680MGD1TA](#) [UPV1C560MFD1TA](#) [UPV1H150MFD1TA](#) [UPV1C121MGD1TA](#) [UPV1H220MGD1TA](#)
[UPV1C101MGD1TA](#) [UPV1E820MGD1TA](#) [UPV1V470MGD1TA](#) [UPV1V220MFD1TA](#)