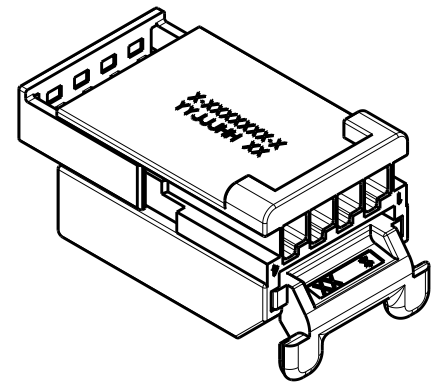
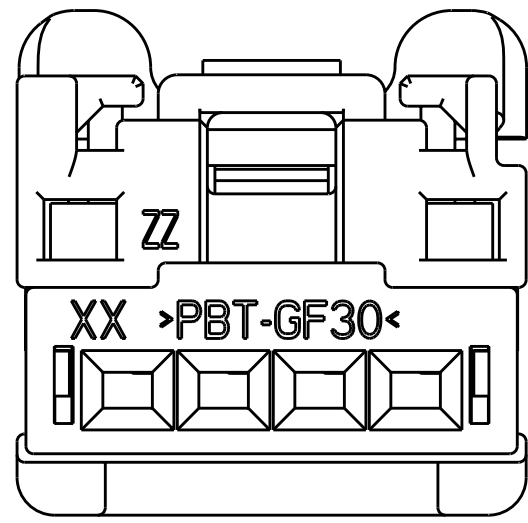


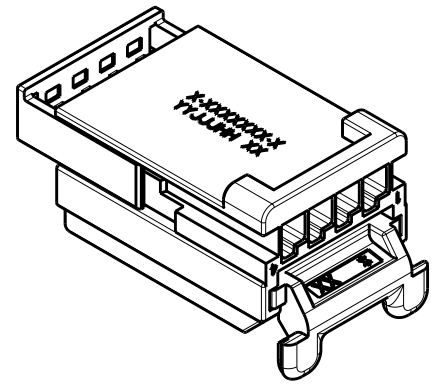
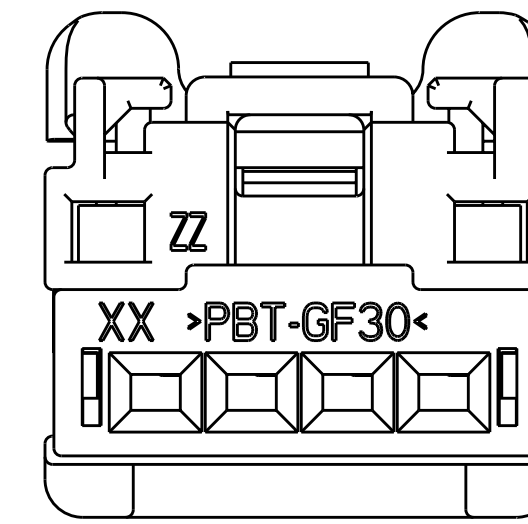
KEYING OPTIONS
(SHOWN WITH CPA)

KEYING OPTION: A



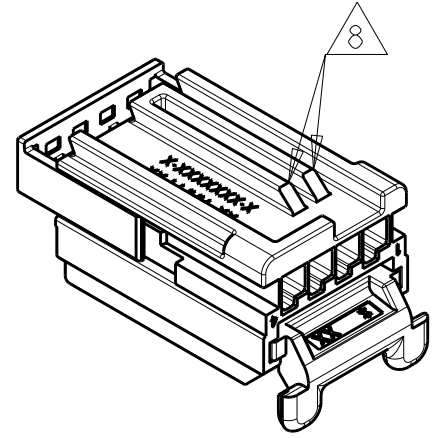
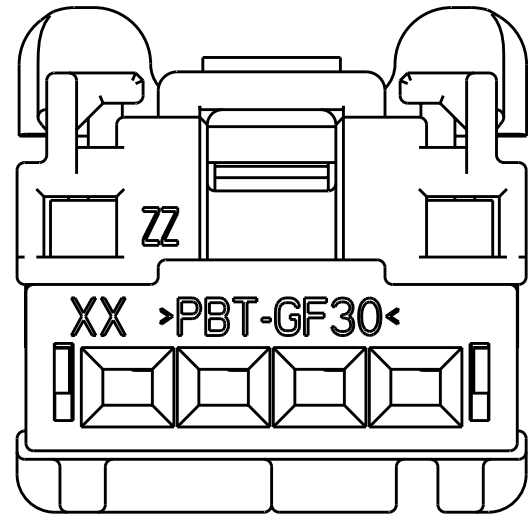
SCALE 2:1

KEYING OPTION: B



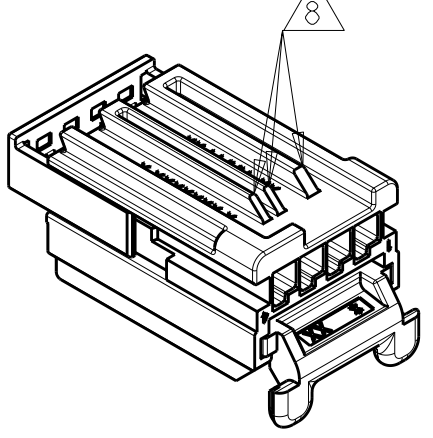
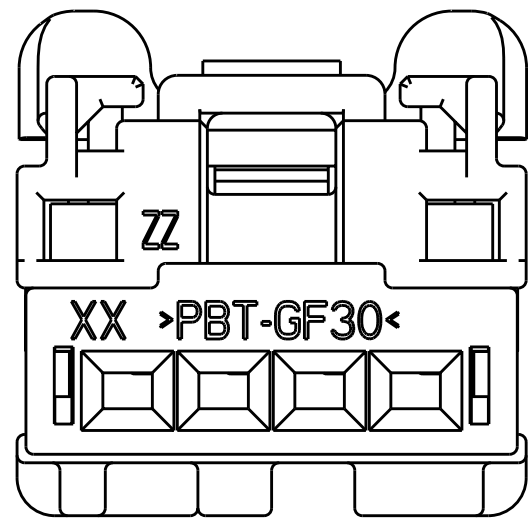
SCALE 2:1

KEYING OPTION: C

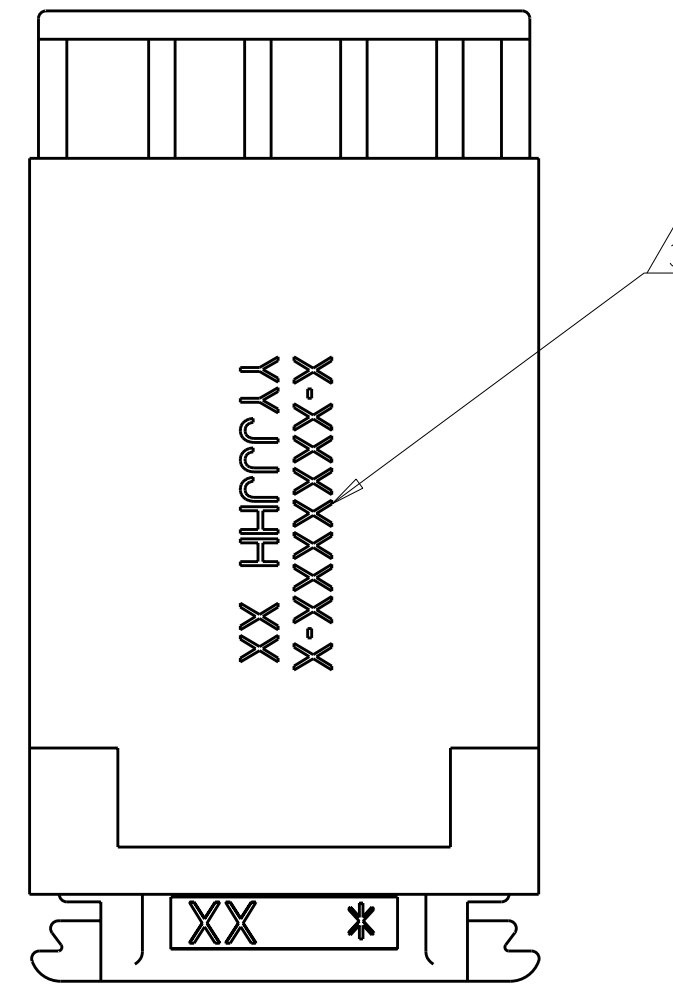
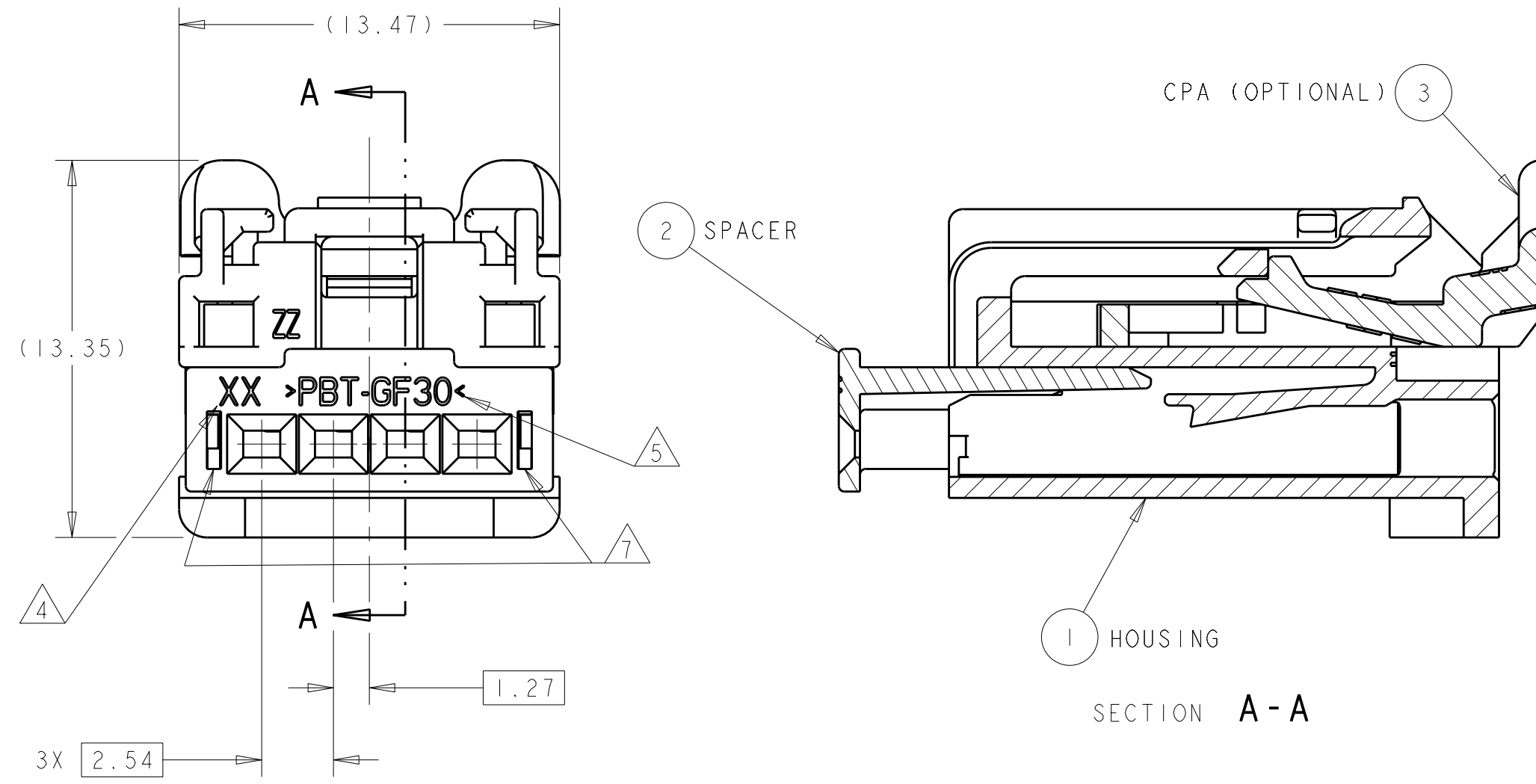
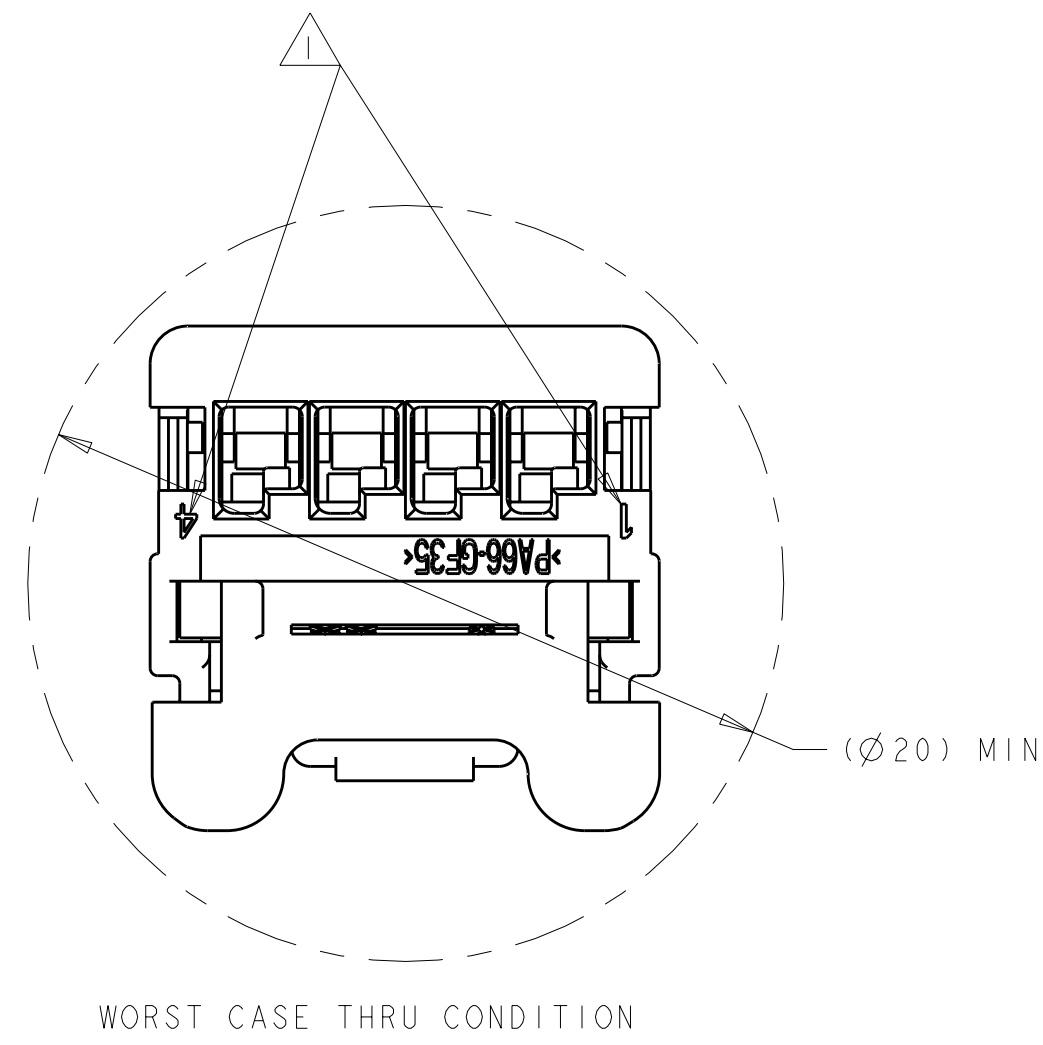
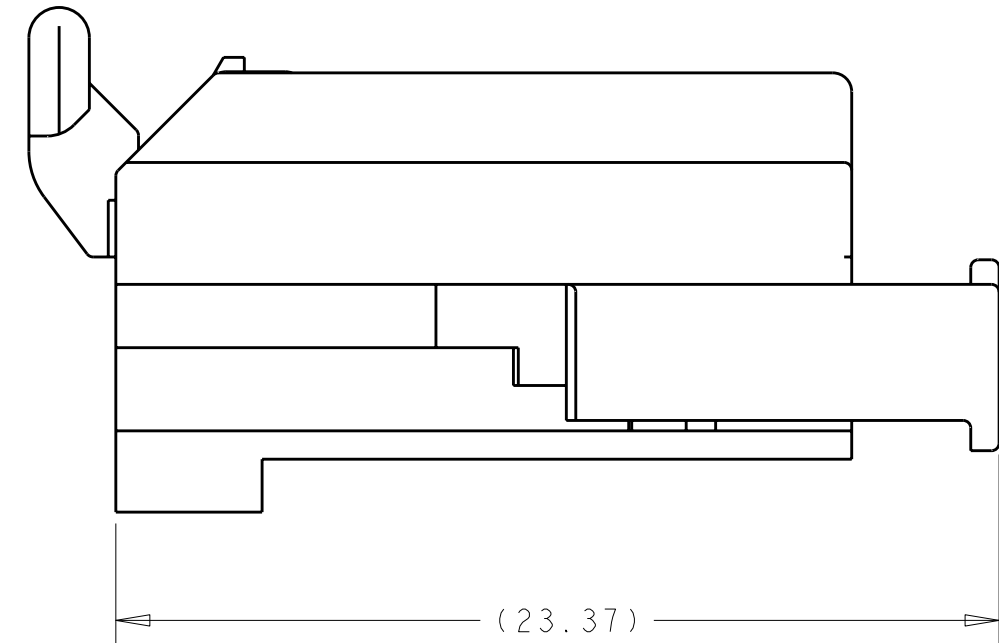


SCALE 2:1

KEYING OPTION: D



SCALE 2:1



LOC	DIST	REV	DESCRIPTION	DATE	DWN	APVD
FX	00					
		D	REVISED PER ECO-11-016786	19AUG2011	DD	RL
		E	REVISED PER ECO-12-006591	05APR2012	DD	RL
		E1	REVISED PER ECO-12-009124	15MAY2012	DD	RL

- △ CIRCUIT IDENTIFICATION NUMBERS, LOCATED AS SHOWN.
- 2. SPACER AND CPA ARE SHIPPED IN PRE-ASSEMBLED POSITION.
- △ PART NUMBER, DATE CODE AND WORK CENTER LOCATION .
- △ CAVITY ID.
- △ MATERIAL IDENTIFICATION.
- 6. PACKING: CONNECTOR ASSEMBLIES BULK PACKAGED IN CARDBOARD BOX.
- △ OPTIONAL SLOTS FOR MOLD CONSTRUCTION.
- △ 45° LEAD IN ANGLE OPTIONAL TYPICAL FOR ALL KEYS.

							<----- ASSEMBLY PN			
QTY REQ'D PER ASSY	DESCRIPTION	MATERIAL	COLOR	ITEM NO						
1	CPA	>PBT-GF20<	RED	3						
1	SPACER	>PBT-GF30<	RED	2						
1	HOUSING; KEY D	>PA66-GF35<	BLACK	1						
-	HOUSING; KEY C	>PA66-GF35<	BLACK							
-	HOUSING; KEY B	>PA66-GF35<	BLACK							
-	HOUSING; KEY A	>PA66-GF35<	BLACK							

THIS DRAWING IS A CONTROLLED DOCUMENT. DWN: R. VESTAL, 13DEC2006. CHK: D. STRAUSSER, 13DEC2006. APVD: D. STRAUSSER, 13DEC2006.

STE TE Connectivity

NAME: 1X4 POSITION, GET FEMALE CONNECTOR UNSEALED ASSEMBLY

SIZE: A100779 C=1456983

CUSTOMER DRAWING SCALE: 5:1 SHEET: 1 OF 1 REV: E1

Mouser Electronics

Authorized Distributor

Click to View Pricing, Inventory, Delivery & Lifecycle Information:

[TE Connectivity:](#)

[1456983-5](#)