

THIS DRAWING IS UNPUBLISHED. RELEASED FOR PUBLICATION
 © COPYRIGHT - By - ALL RIGHTS RESERVED.

LOC	DIST	REVISIONS			
P	LTR	DESCRIPTION	DATE	DWN	APVD
AD	00	SEE SHEET 1	-	-	-

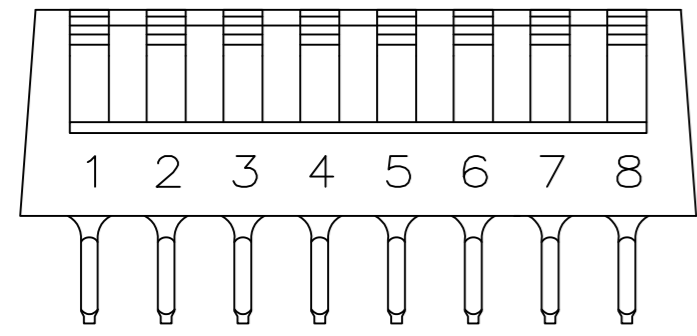


FIG 3A

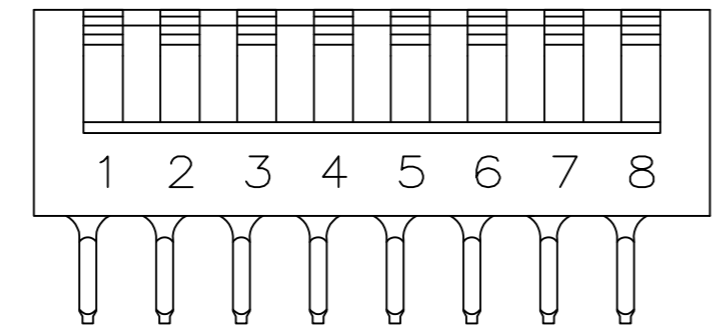


FIG 3B

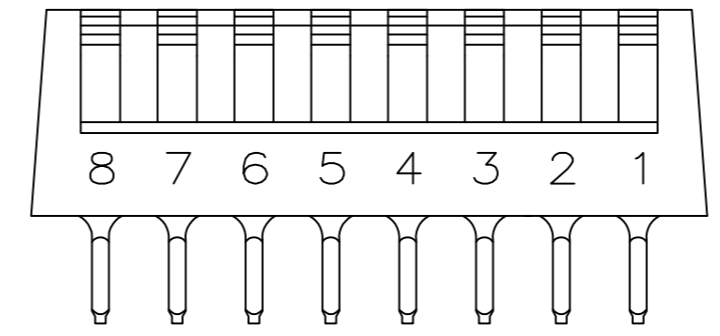
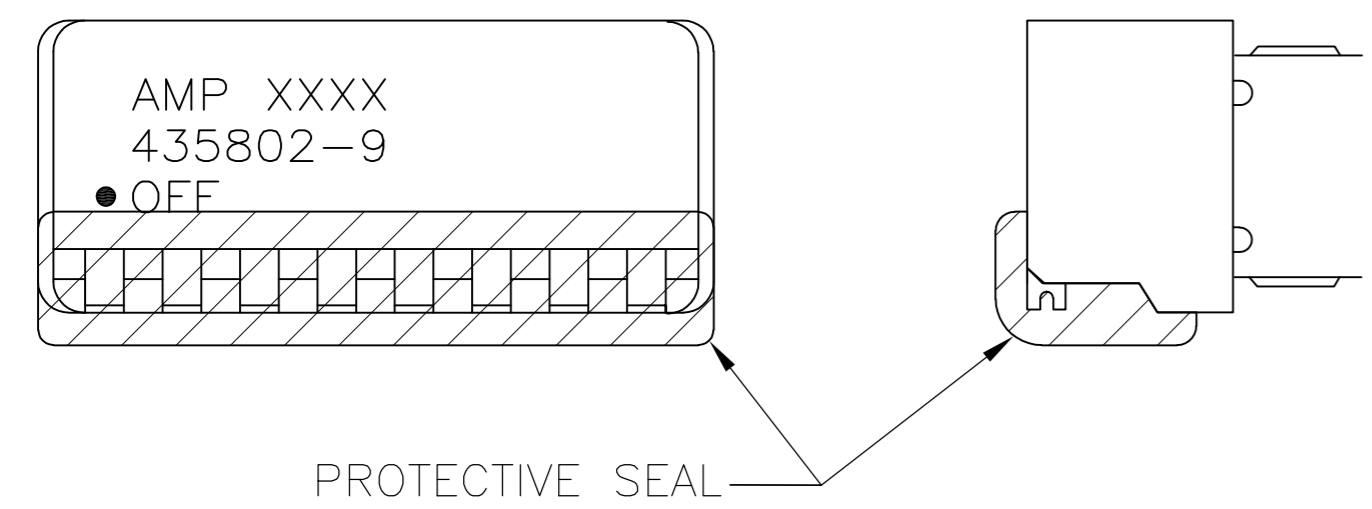


FIG 4



PROTECTIVE SEAL
FIG 6

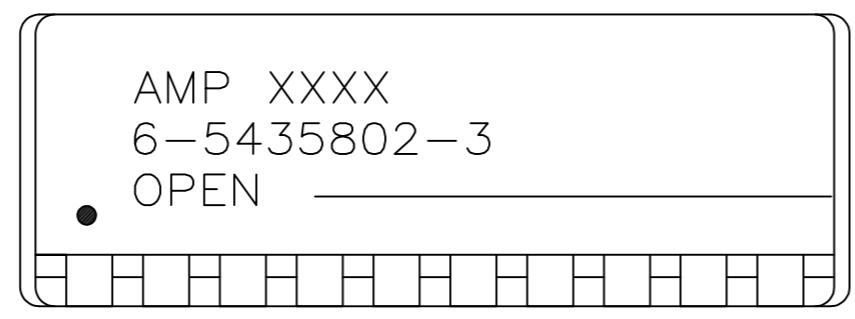
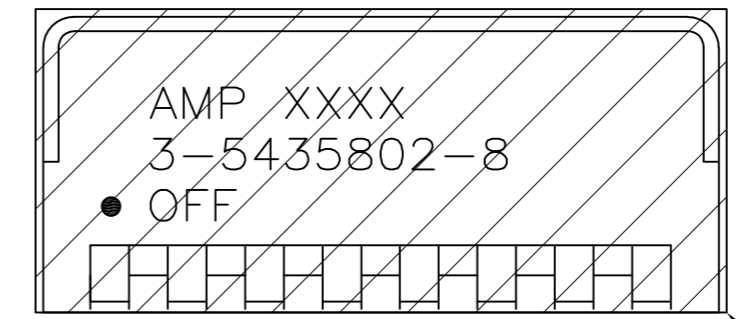


FIG 7



PROTECTIVE SEAL

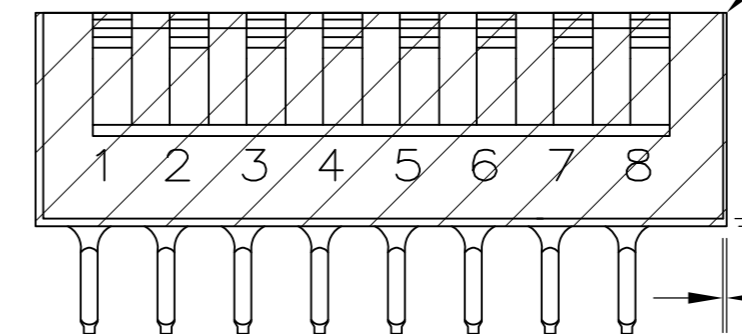


FIG 8

THIS DRAWING IS A CONTROLLED DOCUMENT.		DWN R. TALLEY 19-9-89																				
DIMENSIONS: INCHES		CHK R. MILLER 19-9-89																				
TOLERANCES UNLESS OTHERWISE SPECIFIED:		APVD H. LEITER 19-9-89	NAME SWITCH ASSY, DIP, TYPE C, 7000 SERIES, SPST, SIDE ACTUATED																			
<table border="1"> <tr><td>0 PLC</td><td>±</td><td>-</td></tr> <tr><td>1 PLC</td><td>±</td><td>-</td></tr> <tr><td>2 PLC</td><td>±</td><td>-</td></tr> <tr><td>3 PLC</td><td>±</td><td>.005</td></tr> <tr><td>4 PLC</td><td>±</td><td>-</td></tr> <tr><td>ANGLES</td><td>±</td><td>-</td></tr> </table>		0 PLC	±	-	1 PLC	±	-	2 PLC	±	-	3 PLC	±	.005	4 PLC	±	-	ANGLES	±	-	PRODUCT SPEC -	SIZE A2	CAGE CODE 00779
0 PLC	±	-																				
1 PLC	±	-																				
2 PLC	±	-																				
3 PLC	±	.005																				
4 PLC	±	-																				
ANGLES	±	-																				
MATERIAL SEE SHEET 1		FINISH SEE SHEET 1	DRAWING NO C=5435802	RESTRICTED TO -																		
CUSTOMER DRAWING		WEIGHT -	SCALE 4:1	SHEET 2 of 2																		
		REV B2																				

Mouser Electronics

Authorized Distributor

Click to View Pricing, Inventory, Delivery & Lifecycle Information:

[TE Connectivity:](#)

[1-5435802-7](#)