

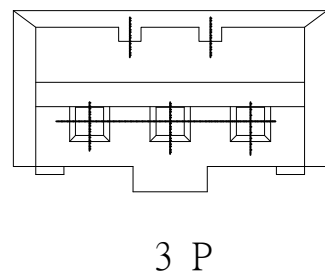
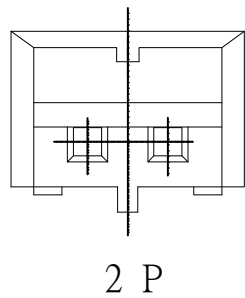
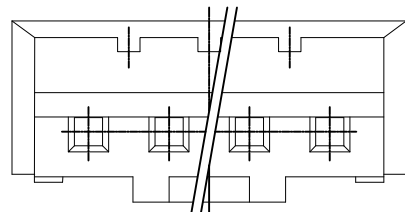
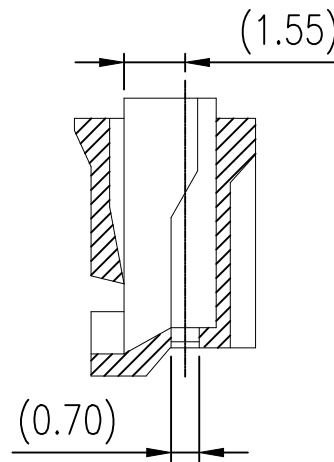
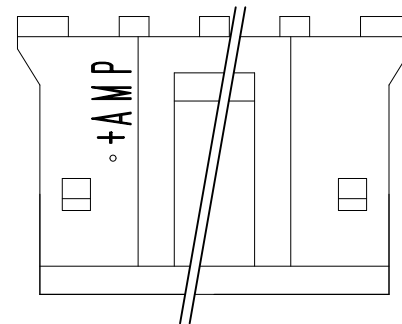
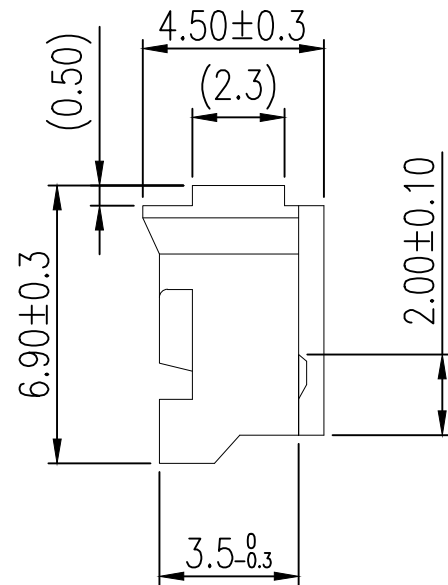
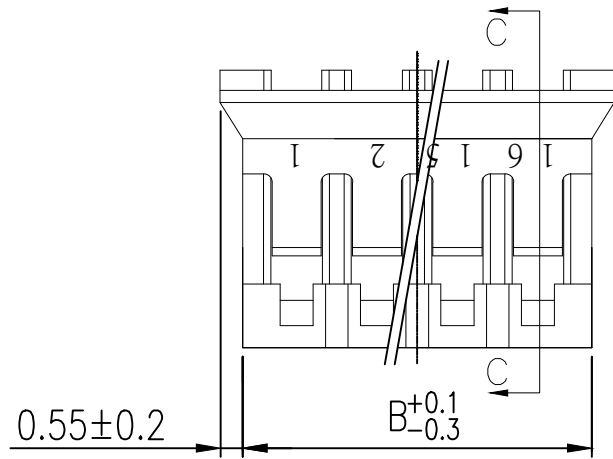
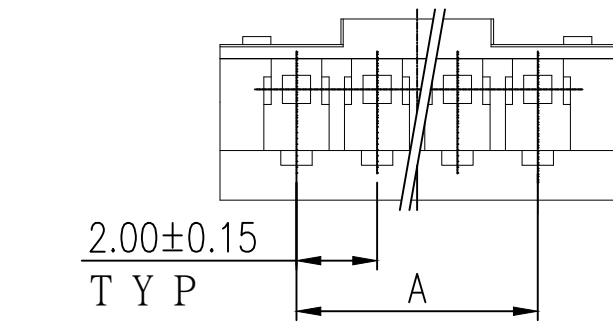
USED ON

DWG NO
440129

THIS DRAWING IS A CONTROLLED DOCUMENT.

NOTES:

- 1. MATERIAL:
HOUSING: THERMOPLASTIC, UL94V-0, COLOR:SEE TABLE.



COLOR	B	A	POS	PART NUMBER
BLUE	16.80	14.00	8P	2-440129-8
RED	16.80	14.00	8P	8-440129-8
GREEN	22.80	20.00	11P	9-440129-1
GREEN	8.70	6.00	4P	9-440129-4
RED	10.70	8.00	5P	8-440129-5
	8.70	6.00	4P	8-440129-4
	6.70	4.00	3P	8-440129-3
	4.70	2.00	2P	8-440129-2
BLACK	10.70	8.00	5P	6-440129-5
	8.70	6.00	4P	6-440129-4
	6.70	4.00	3P	6-440129-3
	4.70	2.00	2P	6-440129-2
YELLOW	24.80	22.00	12P	5-440129-2
	22.80	20.00	11P	5-440129-1
	20.80	18.00	10P	5-440129-0
	18.80	16.00	9P	4-440129-9
	16.80	14.00	8P	4-440129-8
	14.80	12.00	7P	4-440129-7
	12.70	10.00	6P	4-440129-6
	10.70	8.00	5P	4-440129-5
	8.70	6.00	4P	4-440129-4
	6.70	4.00	3P	4-440129-3
4.70	2.00	2P	4-440129-2	
BLUE	10.70	8.00	5P	2-440129-5
	8.70	6.00	4P	2-440129-4
	6.70	4.00	3P	2-440129-3
	4.70	2.00	2P	2-440129-2
NATURAL	32.80	30.00	16P	1-440129-6
	30.80	28.00	15P	1-440129-5
	28.80	26.00	14P	1-440129-4
	26.80	24.00	13P	1-440129-3
	24.80	22.00	12P	1-440129-2
	22.80	20.00	11P	1-440129-1
	20.80	18.00	10P	1-440129-0
	18.80	16.00	9P	440129-9
	16.80	14.00	8P	440129-8
	14.80	12.00	7P	440129-7
	12.70	10.00	6P	440129-6
	10.70	8.00	5P	440129-5
	8.70	6.00	4P	440129-4
6.70	4.00	3P	440129-3	
4.70	2.00	2P	440129-2	

DWN	17OCT2018	MATERIAL	HEAT TREAT
Tommy Qian		-	-
CHK	17OCT2018		
Wenke He			
APVD	17OCT2018		
Wenke He			
NAME	2.0MM PITCH HPI CRIMP HOUSING		
SCALE	SIZE	DRAWING NO	SHEET OF REV
1:1	A3	440129	1 OF 2 D2

DIMENSIONS:	TOLERANCES UNLESS OTHERWISE SPECIFIED:
mm	
0 PLC	± 0.3
1 PLC	± 0.25
2 PLC	± 0.15
3 PLC	± 0.05
4 PLC	± -
ANGLES ±	-
SURFACE TEXTURE	√

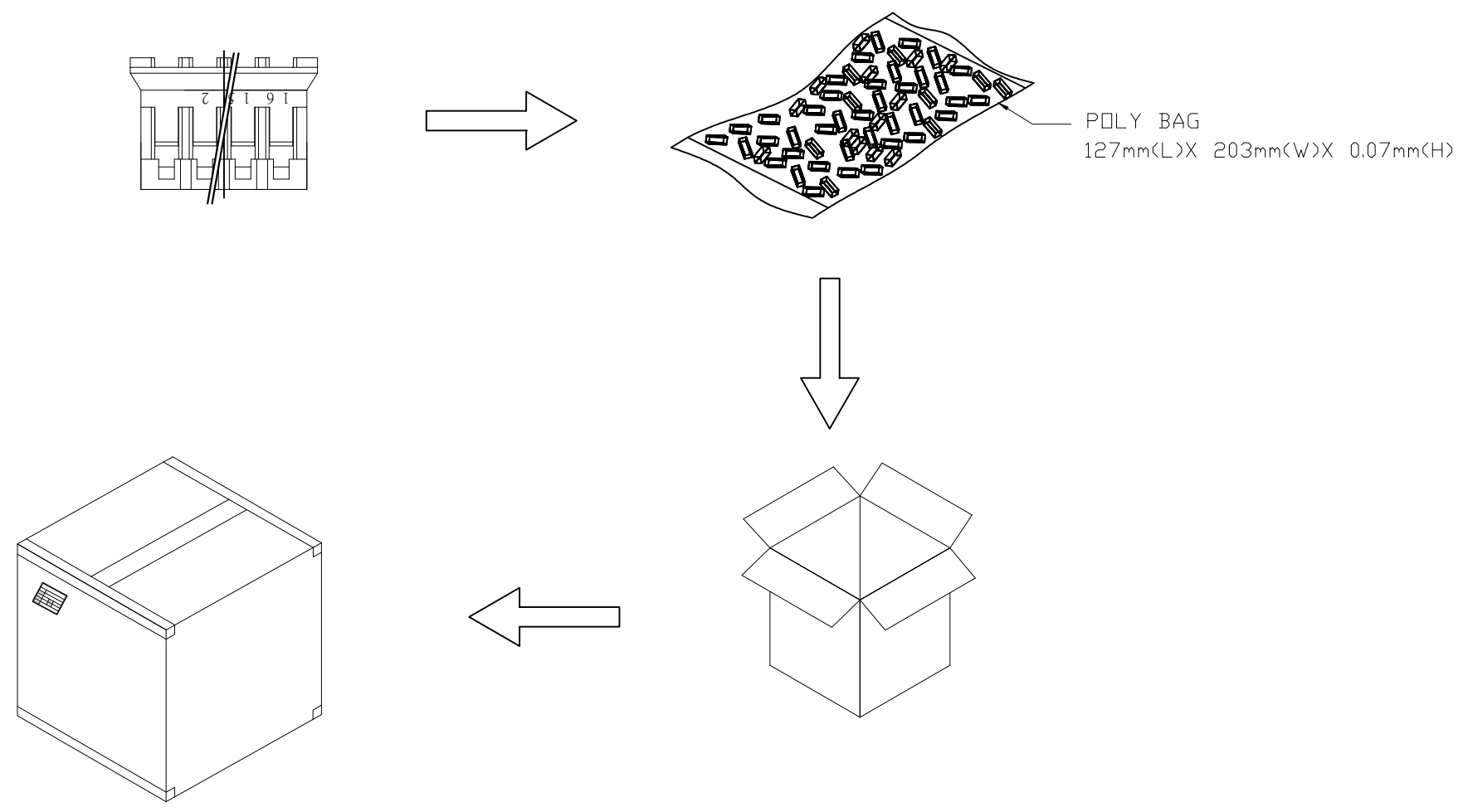
D2	ECR-18-007535	17OCT2018	T.Q	W.H
P	LTR	REVISION RECORD	DATE	DWN
				APVD

THIS INFORMATION IS CONFIDENTIAL AND PROPRIETARY TO TYCO ELECTRONICS CORPORATION AND ITS WORLDWIDE SUBSIDIARIES AND AFFILIATES (TE). IT MAY NOT BE DISCLOSED TO ANYONE OTHER THAN TE PERSONNEL WITHOUT AUTHORIZATION FROM TE (www.te.com).

USED ON _____

DWG NO
440129

THIS DRAWING IS A CONTROLLED DOCUMENT.



POLY BAG
127mm(L)X 203mm(W)X 0.07mm(H)

CARTON
320mm(L)x220mm(W)x140mm(H)
(FOR HEADER 2P~5P ONLY)
340mm(L)x470mm(W)x316mm(H)
(FOR HEADER 6P~16P ONLY)

APQ (PCS/CARTON)	PPQ (PCS/BAG)	POS	PART NUMBER
50,000	1,000	8P	2-440129-8
50,000	1,000	8P	8-440129-8
35,000	1,000	11P	9-440129-1
36,000	2,000	4P	9-440129-4
15,000	1,000	5P	8-440129-5
18,000	1,000	4P	8-440129-4
20,000	1,000	3P	8-440129-3
36,000	2,000	2P	8-440129-2
15,000	1,000	5P	6-440129-5
18,000	1,000	4P	6-440129-4
20,000	1,000	3P	6-440129-3
36,000	2,000	2P	6-440129-2
30,000	1,000	12P	5-440129-2
35,000	1,000	11P	5-440129-1
40,000	1,000	10P	5-440129-0
45,000	1,000	9P	4-440129-9
50,000	1,000	8P	4-440129-8
10,000	1,000	7P	4-440129-7
12,000	1,000	6P	4-440129-6
15,000	1,000	5P	4-440129-5
18,000	1,000	4P	4-440129-4
20,000	1,000	3P	4-440129-3
36,000	2,000	2P	4-440129-2
15,000	1,000	5P	2-440129-5
18,000	1,000	4P	2-440129-4
20,000	1,000	3P	2-440129-3
36,000	2,000	2P	2-440129-2
25,000	1,000	16P	1-440129-6
25,000	1,000	15P	1-440129-5
25,000	1,000	14P	1-440129-4
30,000	1,000	13P	1-440129-3
30,000	1,000	12P	1-440129-2
35,000	1,000	11P	1-440129-1
40,000	1,000	10P	1-440129-0
45,000	1,000	9P	440129-9
50,000	1,000	8P	440129-8
10,000	1,000	7P	440129-7
12,000	1,000	6P	440129-6
15,000	1,000	5P	440129-5
18,000	1,000	4P	440129-4
20,000	1,000	3P	440129-3
36,000	2,000	2P	440129-2

P	LTR	REVISION RECORD	DATE	DWN	APVD
-	-	SEE SHEET 1	-	-	-

DIMENSIONS: mm		TOLERANCES UNLESS OTHERWISE SPECIFIED:	
	0 PLC	±	0.3
	1 PLC	±	0.25
	2 PLC	±	0.15
	3 PLC	±	0.05
	4 PLC	±	-
ANGLES ±		-	
SURFACE TEXTURE			

DWN Tommy Qian	17OCT2018	MATERIAL -	HEAT TREAT -
CHK Wenke He	17OCT2018	TE Connectivity	
APVD Wenke He	17OCT2018		
NAME 2.0MM PITCH HPI CRIMP HOUSING			
SCALE 1:1	SIZE A3	DRAWING NO 440129	SHEET 2 OF 2
			REV D2

THIS INFORMATION IS CONFIDENTIAL AND PROPRIETARY TO TYCO ELECTRONICS CORPORATION AND ITS WORLDWIDE SUBSIDIARIES AND AFFILIATES (TE). IT MAY NOT BE DISCLOSED TO ANYONE OTHER THAN TE PERSONNEL, WITHOUT AUTHORIZATION FROM TE (www.TE.com).