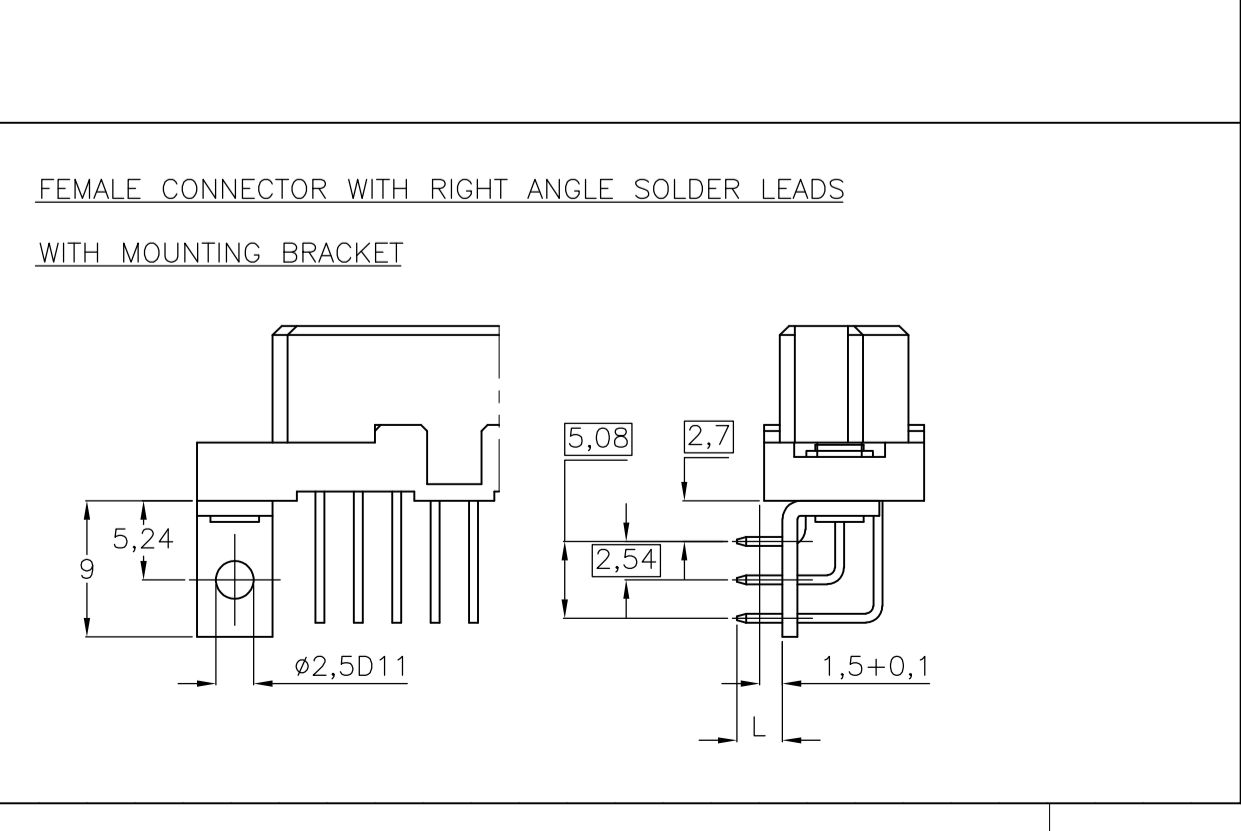
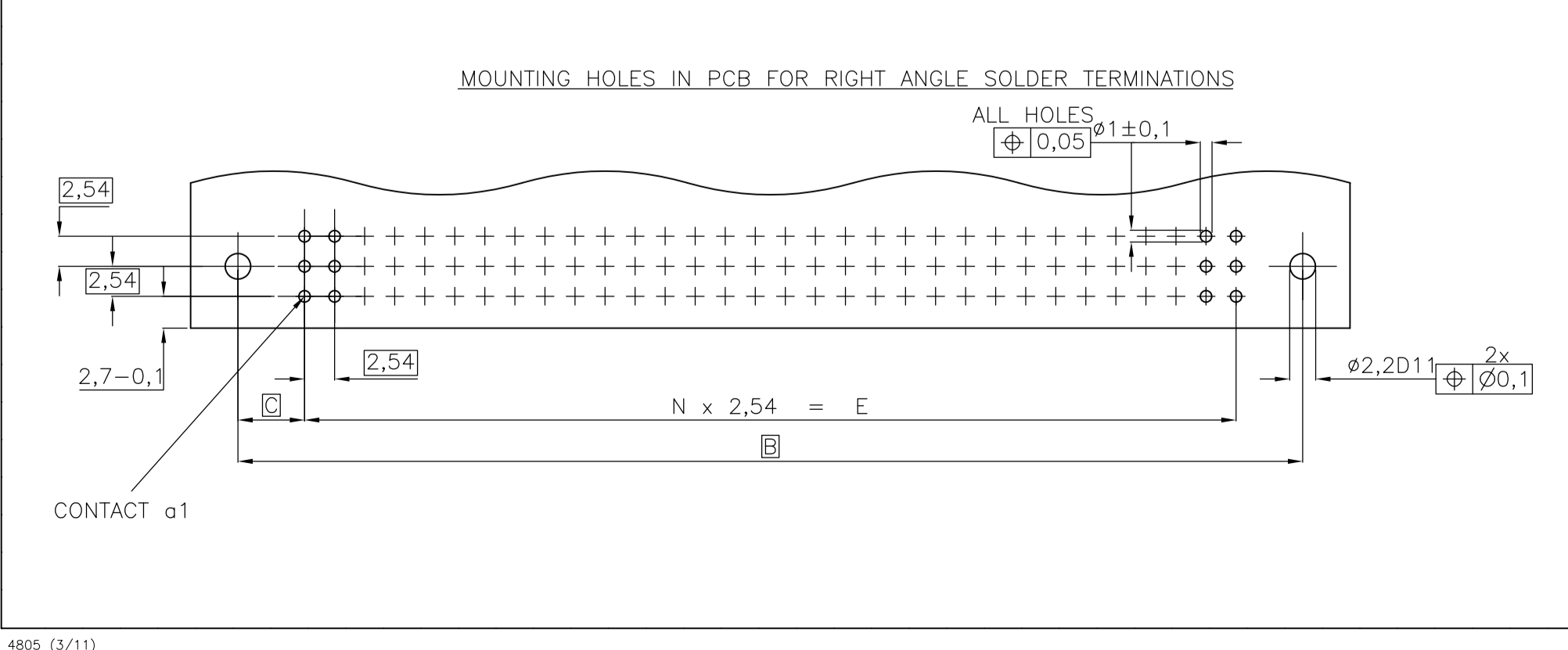
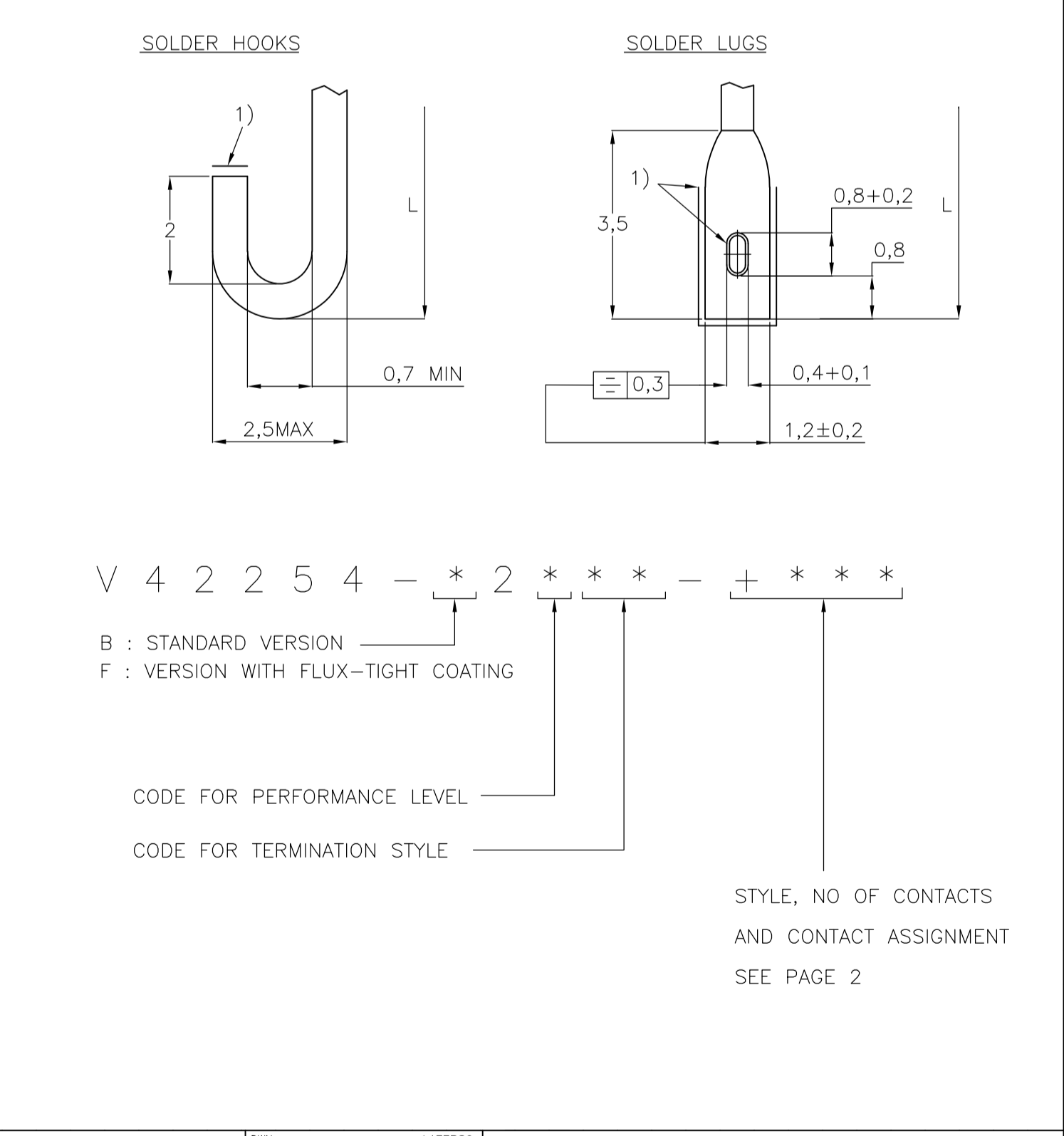
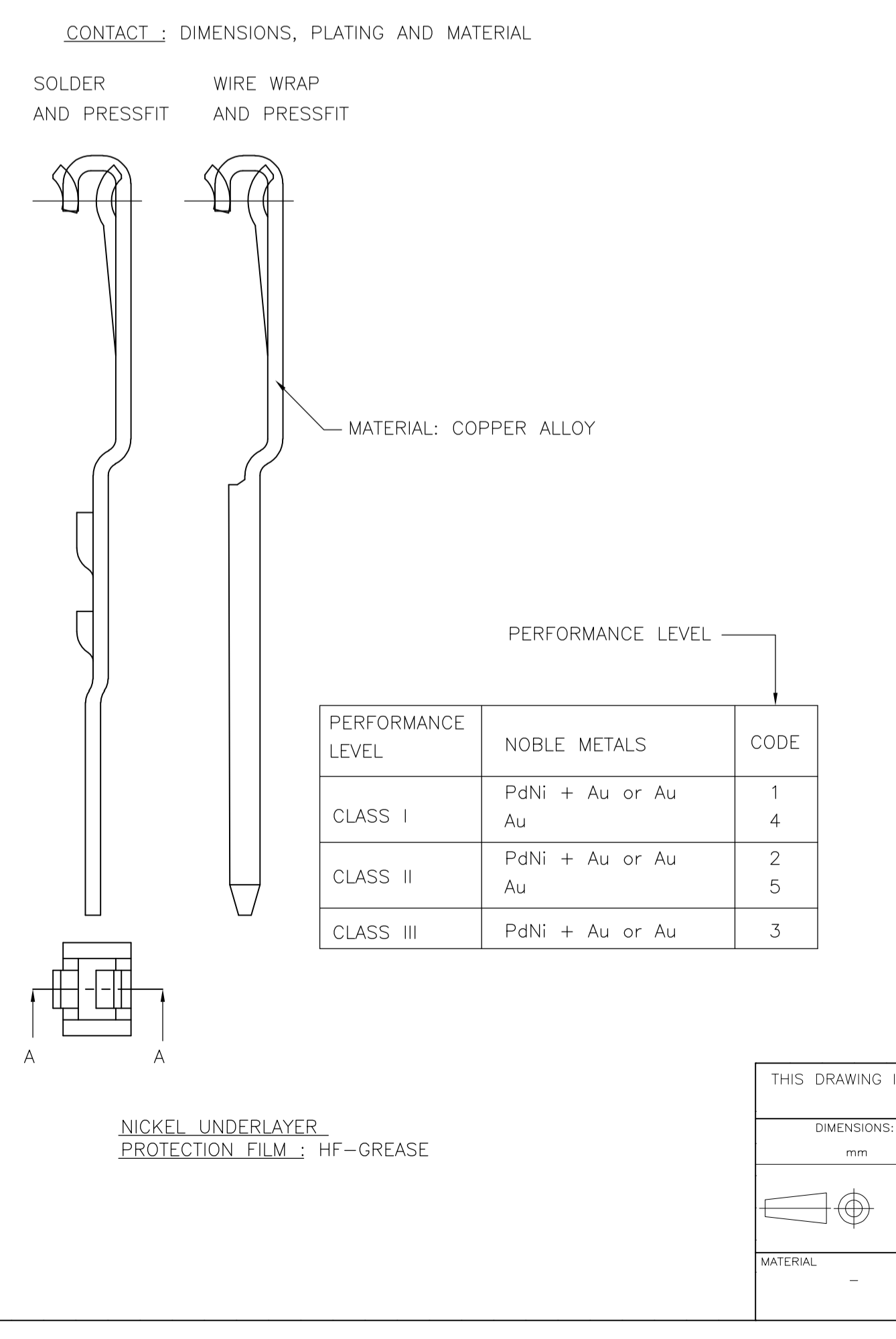
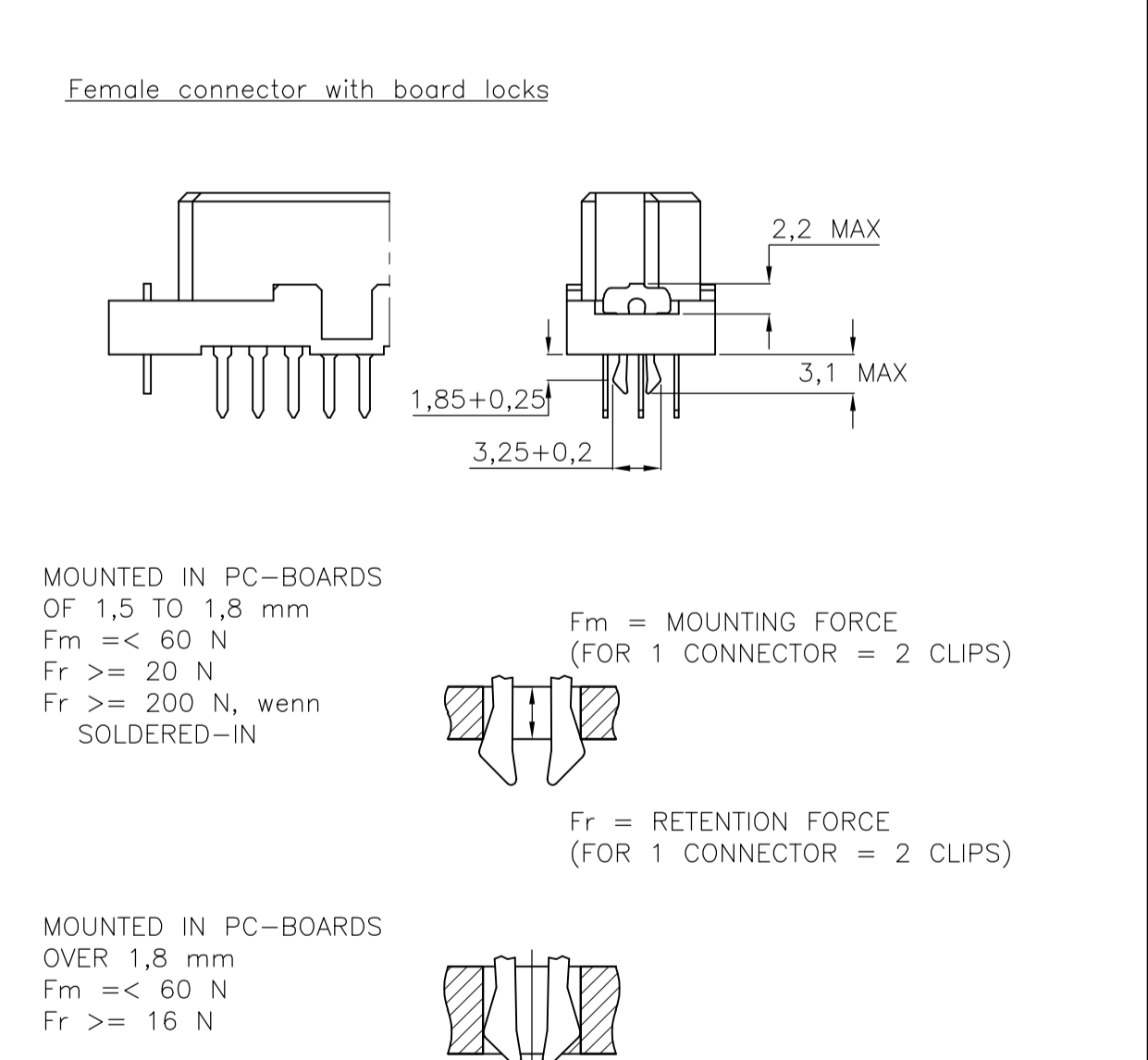
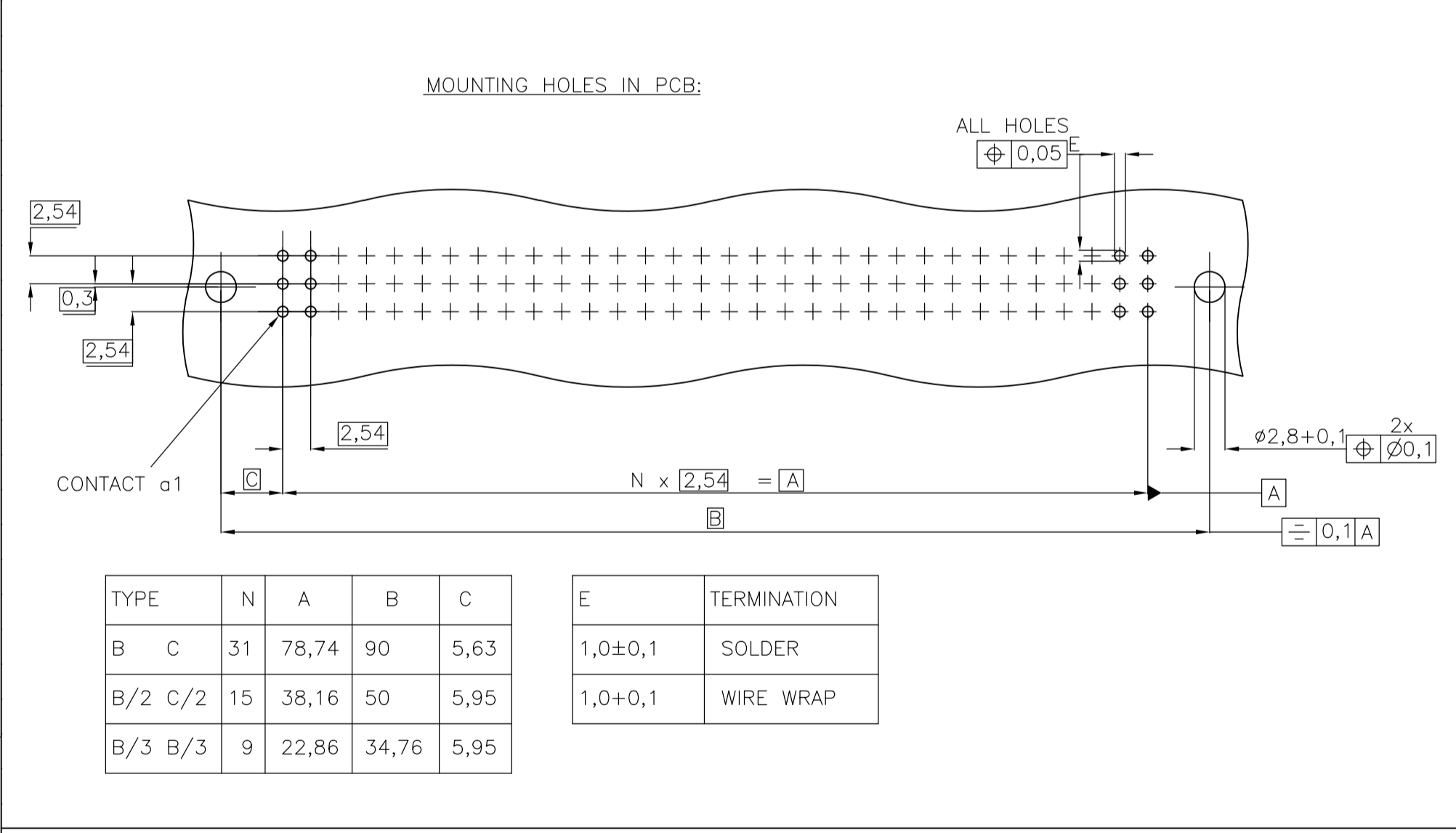


REVISONS		DATE	DN	APVD
AD	00	14JAN2013	BC	RP

TERMINATION STYLES		L	CODE
SOLDER	SOLDER	2,9±0,3	01
		3,7±0,3	05
		4,5±0,3	02
SOLDER	SOLDER	6±0,3	03
		7,3±0,3	04
WIRE WRAP	WIRE WRAP	13±0,5	40
		5,5±0,3	30
SOLDER	HOOKS	10±0,5	30
		5,5±0,3	35
SOLDER	LUGS	10 -0,5	35
		1,55 -0,4	00
SOLDER	RIGHT ANGLE	3 -0,4	10
		13±0,5	60
SOLDER	RIGHT ANGLE	17±0,5	61
		4±0,5	63
SOLDER	RIGHT ANGLE	13±0,5	66
		17±0,5	67
SOLDER	RIGHT ANGLE	6±0,5	69
		6±0,5	70



DIMENSIONS:		TOLERANCES UNLESS OTHERWISE SPECIFIED:		DIN 14789	
mm		0 PLC	±	CUVELIER	14789
		1 PLC	±	CIK	
		2 PLC	±	APVD	
		3 PLC	±	NAME	
		4 PLC	±	PRODUCT SPEC	
		ANGLES	±	APPLICATION SPEC	
MATERIAL	FINISH	WEIGHT		SIZE	CAGE CODE DRAWING NO
				A1	00779
					1393640-1
					RESTRICTED TO
					CUSTOMER DRAWING
					SCALE NTS SHEET 1 OF 2 REV B11



# Mouser Electronics

Authorized Distributor

Click to View Pricing, Inventory, Delivery & Lifecycle Information:

[TE Connectivity:](#)

[1-1393641-4](#)