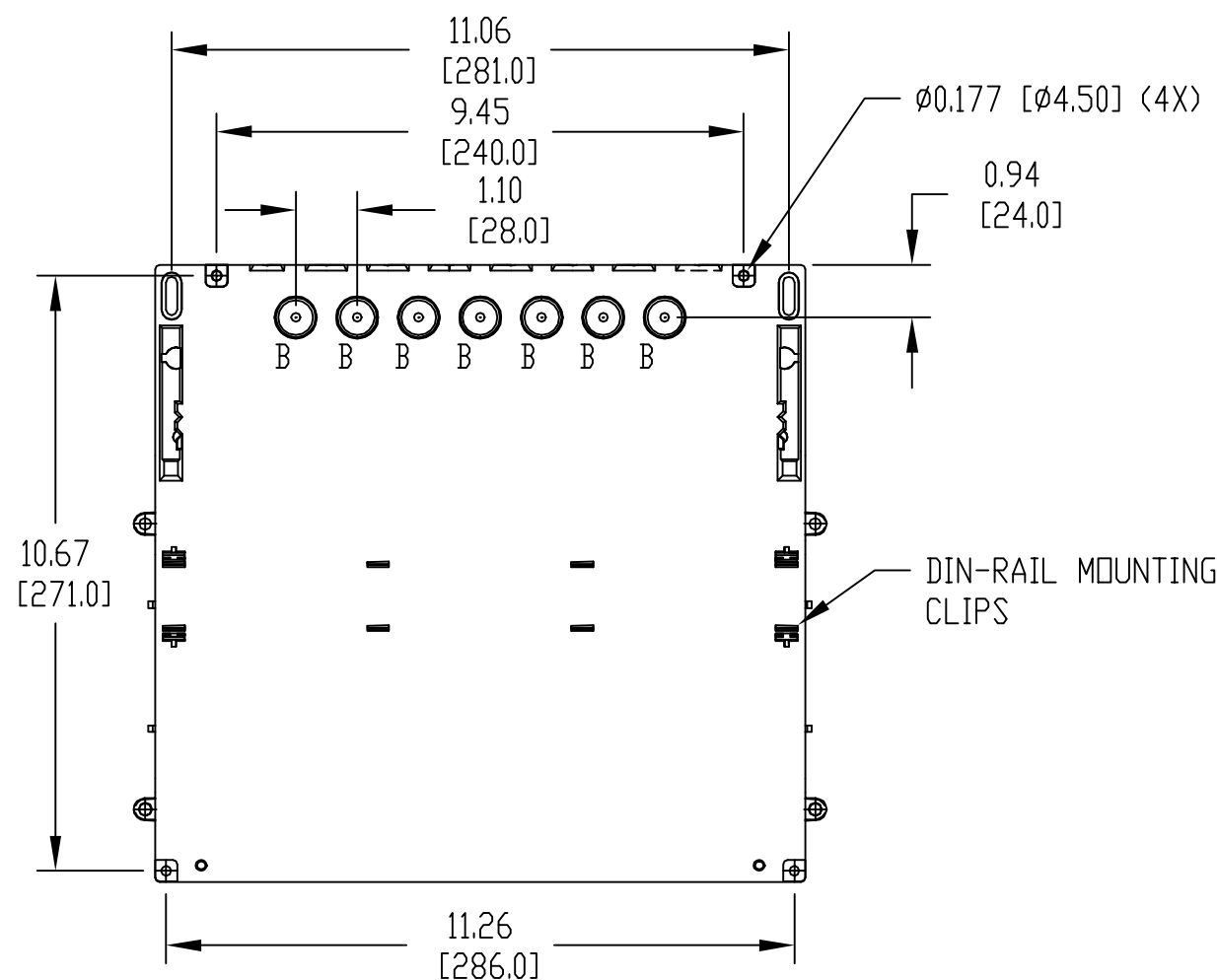
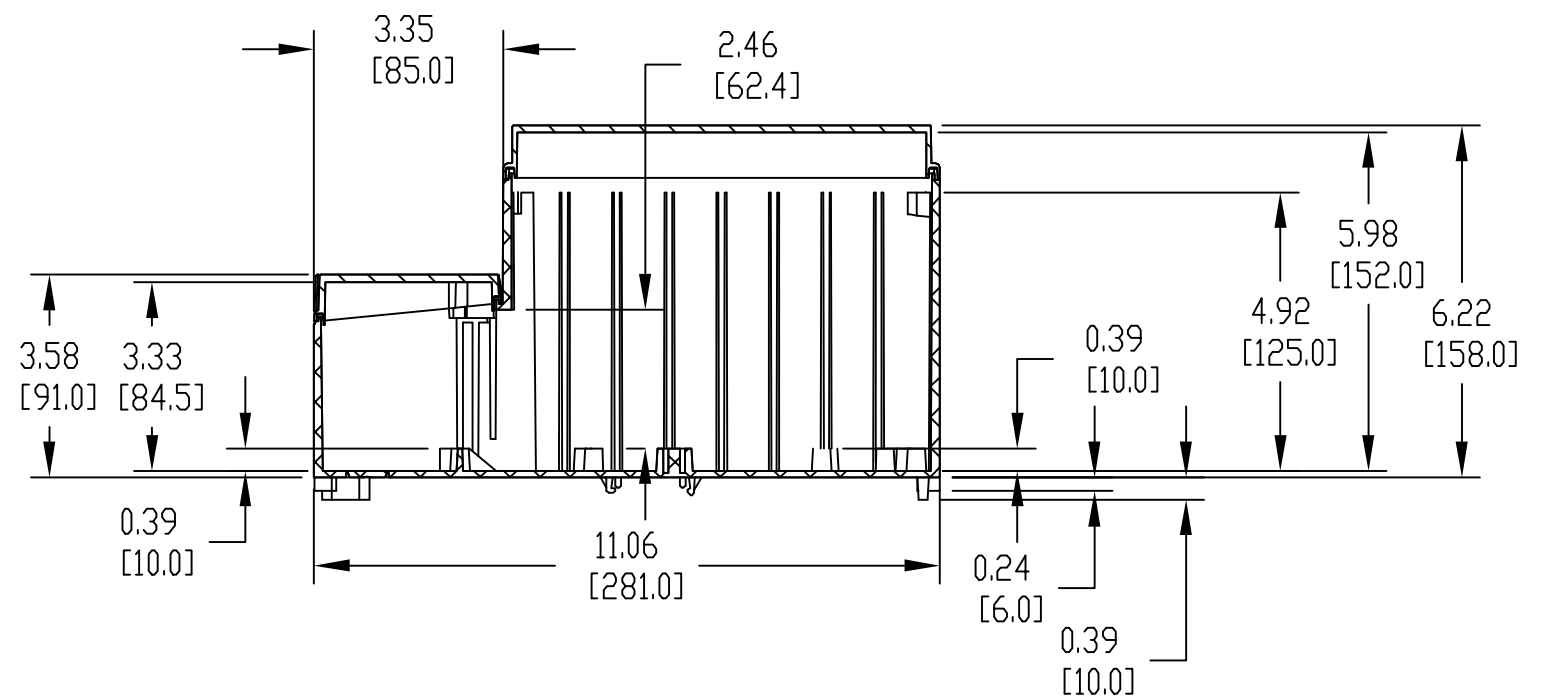
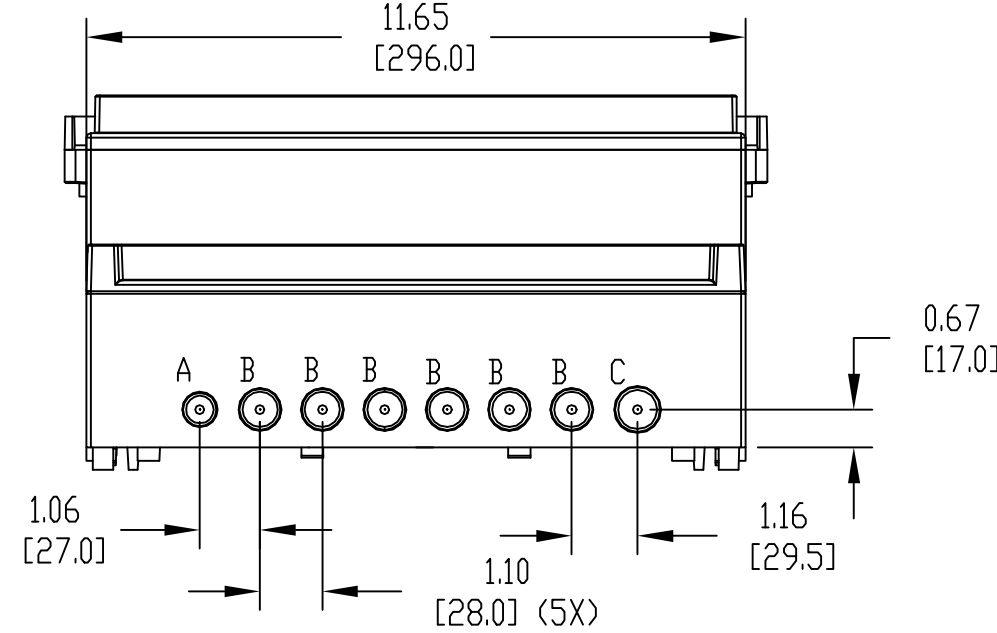
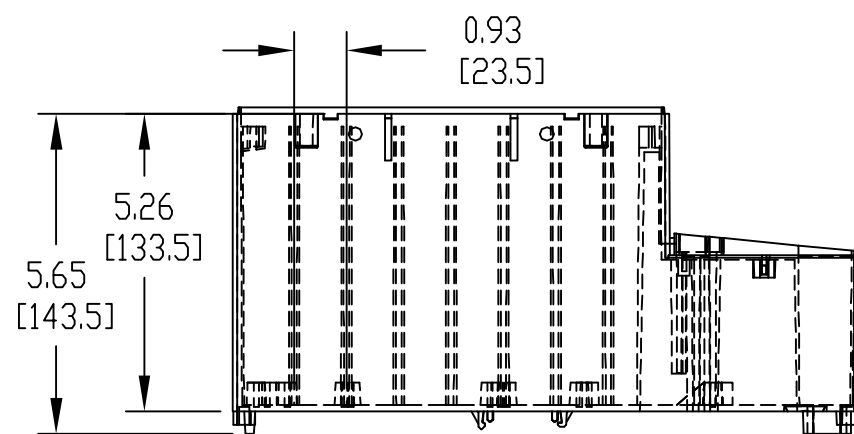


MATERIAL:
 BODY & TERMINAL COMPARTMENT COVER - LIGHT GRAY HIGH IMPACT ABS
 PCB COMPARTMENT COVER - BLUE TINTED POLYCARBONATE (UL 94-HB)
 SILICONE SPONGE GASKET IN BOTH COVERS
 SCREW-ON COVER DESIGNED TO MEET IP-66 RATING

Ø0.315 [Ø8.00] BOSS WITH
 Ø0.094 [Ø2.40] HOLE (32X)
 ACCEPTS M2.5 x 8mm LG. OR
 #4 x 0.312" LG. SELF-TAPPING
 SCREW (NOT SUPPLIED)



	KNOCKOUT DIMENSION	CABLE GLAND
A	Ø0.614 [15.6mm]	PG 9(OR M12)
B	Ø0.748 [19.0mm]	PG 11(OR M16)
C	Ø0.819 [20.8mm]	PG 13.5(OR M20)

ALL DIMENSIONS HAVE ±0.02 [0.4] TOLERANCE UNLESS OTHERWISE SPECIFIED

Mouser Electronics

Authorized Distributor

Click to View Pricing, Inventory, Delivery & Lifecycle Information:

[Bud Industries:](#)

[DCS-11904](#)