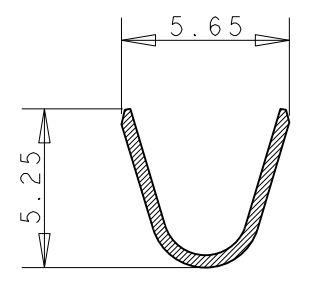
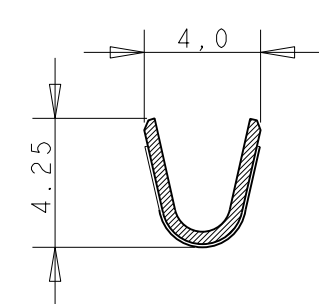
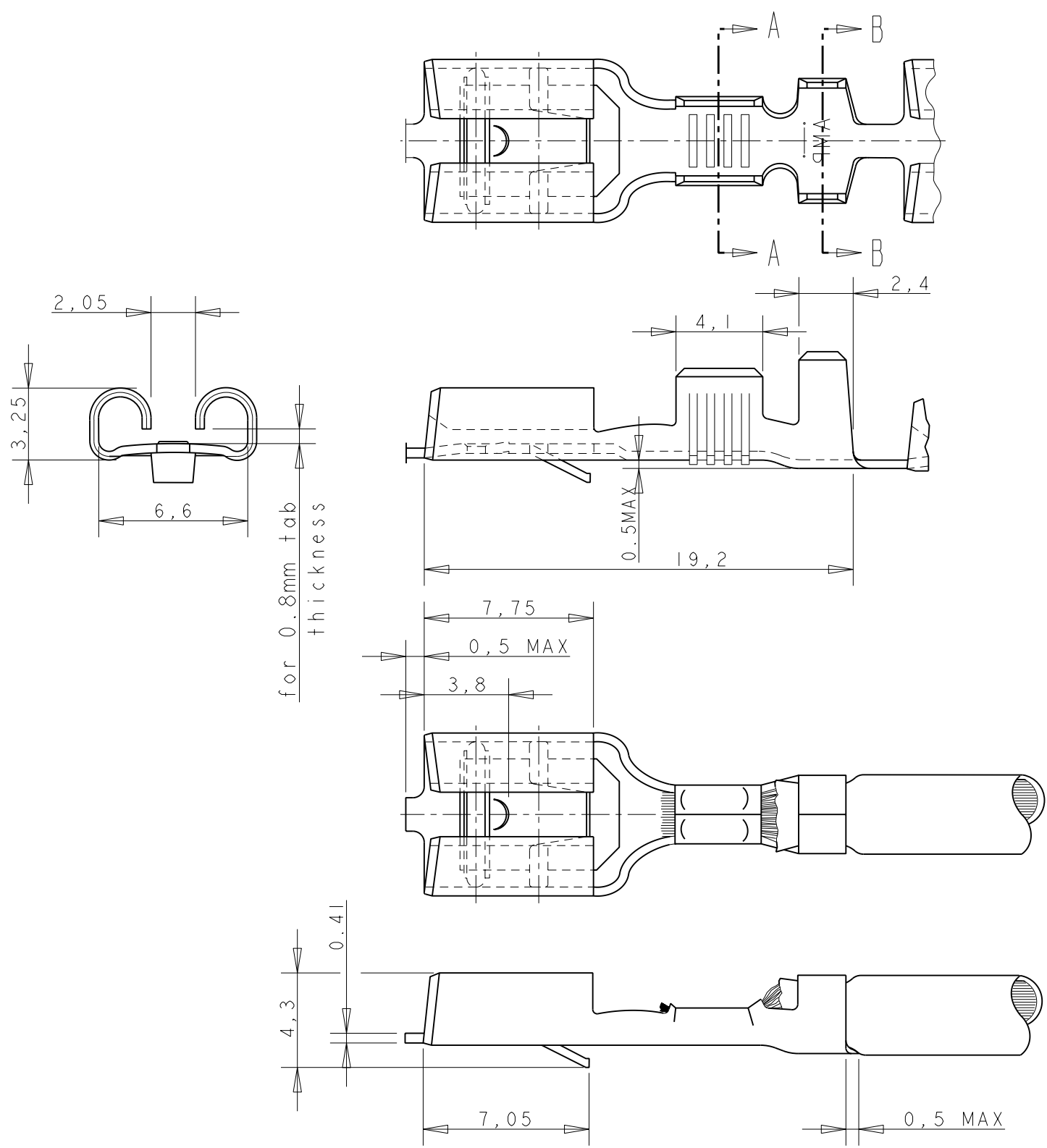


LOC	DIST	REVISIONS					
		P	LTR	DESCRIPTION	DATE	DWN	APVD
A1	-		H2	REVISED PER ECO-11-005294	21MAR2011	RK	HMR

NOTES:

- 1 FOR USE ON MINIATURE APPLICATORS (LEFT-RIGHT FEED) AND STANDARD APPLICATORS (RIGHT-LEFT FEED).
- 2 FOR USE ON MINIATURE APPLICATORS (AMP-O-MATOR APPLICATION). (LEFT-RIGHT FEED).
- 3 OBSOLETE PARTS: OBSOLETE CIS STREAMLINING PER D.RENAUD/D.SINISI



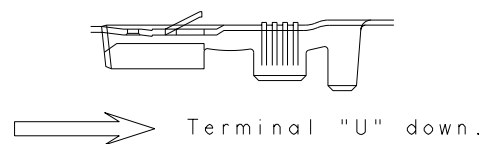
SECTION A-A

SECTION B-B

OBSOLETE		FINISH	MATERIAL	PART NUMBER
3	1	PRE-TINPLATED	PH.BRONZE	6-160446-8
	1	PRE-TINPLATED	BRASS	6-160446-7
	1 2	TINPLATED	PH.BRONZE	6-160446-6
	1 2	SILVERPLATED	PH.BRONZE	5-160446-8
	1 2	SILVERPLATED	BRASS	5-160446-6
	1	TINPLATED	BRASS	5-160446-5
	1	UNPLATED	BRASS	5-160446-4
	1	TINPLATED	PH.BRONZE	5-160446-2
	1	UNPLATED	PH.BRONZE	5-160446-1

GENERAL TOLERANCES ±0.3

DIRECTION OFF TOP OF REEL



WIRE RANGE :
1,0-2,5 mm²

INSULATION RANGE :
3,0-4,1mm DIA.

THIS DRAWING IS A CONTROLLED DOCUMENT.

DIMENSIONS: mm	TOLERANCES UNLESS OTHERWISE SPECIFIED:
	0 PLC ±·
	1 PLC ±·
	2 PLC ±·
	3 PLC ±·
	4 PLC ±·
	ANGLES ±1°
MATERIAL SEE TABLE	FINISH SEE TABLE

DWN	J.V.LIEMPT.
CHK	A.BIJNEN.
APVD	L.V.SOEST.
PRODUCT SPEC	-
APPLICATION SPEC	-
WEIGHT	-

STE TE Connectivity

NAME
.250 SRS FASTIN-ON RECEPTACLE

SIZE	CAGE CODE	DRAWING NO	RESTRICTED TO
A3	00779	C-160446	-

CUSTOMER DRAWING SCALE SHEET OF REV H2

Mouser Electronics

Authorized Distributor

Click to View Pricing, Inventory, Delivery & Lifecycle Information:

[TE Connectivity:](#)

[5-160446-5](#)