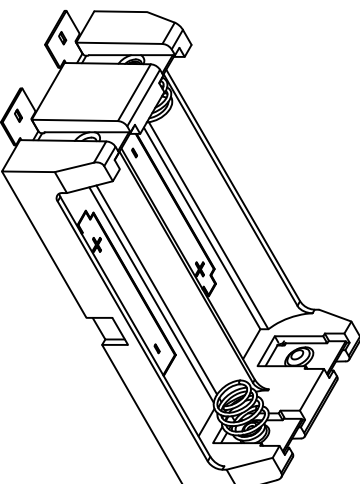
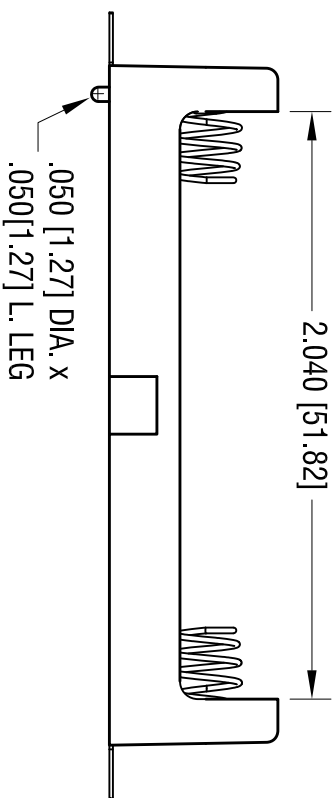
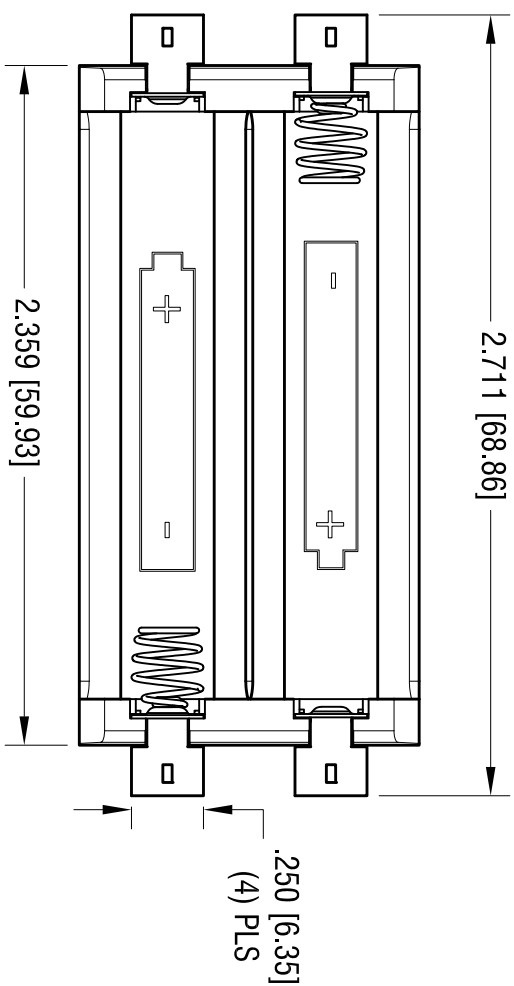
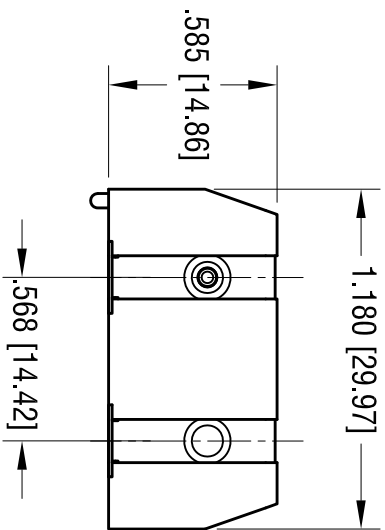
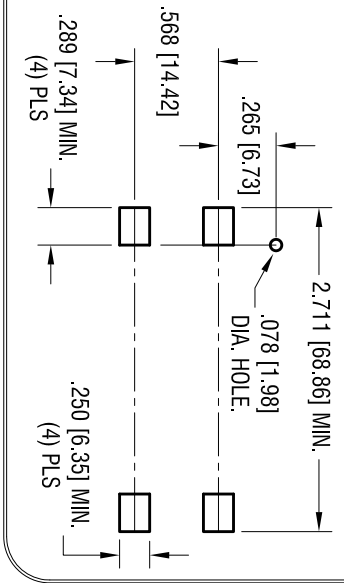


MOUNTING PAD LAYOUT



- NOTE:
1. BASE:
MATERIAL: HEAT RESISTANCE NYLON
STANLYL 46 OR EQUIVALENT
 2. CONTACTS:
MATERIAL: BASE-.012 [0.30] THK STAINLESS STEEL
SPRING-.020 [0.50] DIA. MUSIC WIRE
FINISH: GOLD FLASH, OVER NICKEL PLATE

DATE	DESCRIPTION	REV.

KEYSTONE ELECTRONICS CORP.			
www.keystec.com • ASTORIA, N.Y. 11105-2017 • Tel (718) 956-8900			
PART NAME			
SMT BATTERY HOLDER, (2) AA			
MATERIAL			
AS NOTED			
FINISH			
AS NOTED			
TOLERANCES	INCH	[MM]	CODE
DECIMAL	± .010	[± 0.25]	C
ANGULAR	± 1°		
UNLESS OTHERWISE SPECIFIED			
DRN BY	NT	DATE	6.12.14
APP'D	LN	SCALE	1.5X
DWG NO.		1090	

THIS DOCUMENT IS THE PROPERTY OF KEYSTONE ELECTRONICS CORP. AND SHALL NOT BE REPRODUCED, DISTRIBUTED OR USED AS A BASIS FOR MANUFACTURE WITHOUT PRIOR WRITTEN PERMISSION FROM KEYSTONE ELECTRONICS CORP.

Mouser Electronics

Authorized Distributor

Click to View Pricing, Inventory, Delivery & Lifecycle Information:

[Keystone Electronics:](#)

[1090](#)