

PLEASE CHECK WWW.MOLEX.COM FOR LATEST PART INFORMATION

Part Number: [5036571000](#)
Status: **Active**
Overview: Micro-Lock™ Connectors
Description: Micro-Lock 2.00mm Wire-to-Board Crimp Terminal, 22 - 26 AWG, Reel, 5036571000

Documents:

Drawing (PDF)	Application Specification AS-503658-001-001 (PDF)
Product Specification PS-503658-001-001 (PDF)	Packaging Specification SPK-503657-001-001 (PDF)
Product Specification PS-504054-001-001 (PDF)	RoHS Certificate of Compliance (PDF)

General

Product Family	Crimp Terminals
Series	503657
Application	Power, Signal
Crimp Quality Equipment	Yes
Overview	<u>Micro-Lock™ Connectors</u>
Product Name	Micro-Lock
UPC	884982339552

Physical

Durability (mating cycles max)	30
Gender	Female
Material - Metal	Copper Alloy
Material - Plating Mating	Tin
Net Weight	40.500/mg
Packaging Type	Reel
Wire Insulation Diameter	0.9-1.5
Wire Size AWG	22, 24, 26
Wire Size mm ²	0.126-0.34

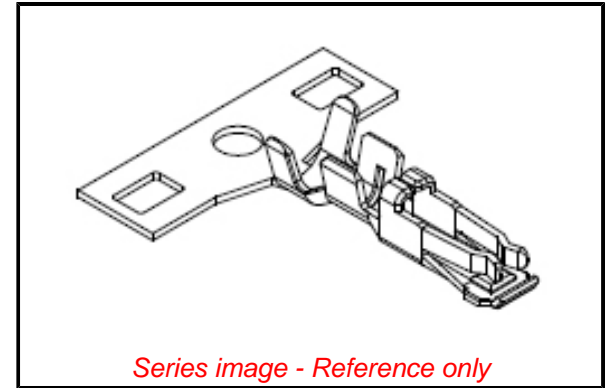
Electrical

Current - Maximum per Contact	3.0A
Voltage - Maximum	250V

Material Info

Reference - Drawing Numbers

Application Specification	AS-503658-001-001
Crimp Specification	CS-503657-001-001
Packaging Specification	SPK-503657-001-001
Product Specification	PS-503658-001-001, PS-504054-001-001
Sales Drawing	SD-503657-001



EU ELV

Not Relevant

EU RoHS

Compliant

REACH SVHC

Not Contained Per
-ED/01/2018 (15
January 2018)

Halogen-Free

Status

Low-Halogen

Need more information on product environmental compliance?

Email productcompliance@molex.com
Please visit the [Contact Us](#) section for any non-product compliance questions.

China ROHS

ELV

RoHS Phthalates

Green Image

Not Relevant

Not Contained

Search Parts in this Series

[503657](#) Series

Use With

[503658](#) Micro-Lock Wire-to-Board Crimp Housing

Mouser Electronics

Authorized Distributor

Click to View Pricing, Inventory, Delivery & Lifecycle Information:

[Molex:](#)

[503657-1000](#)