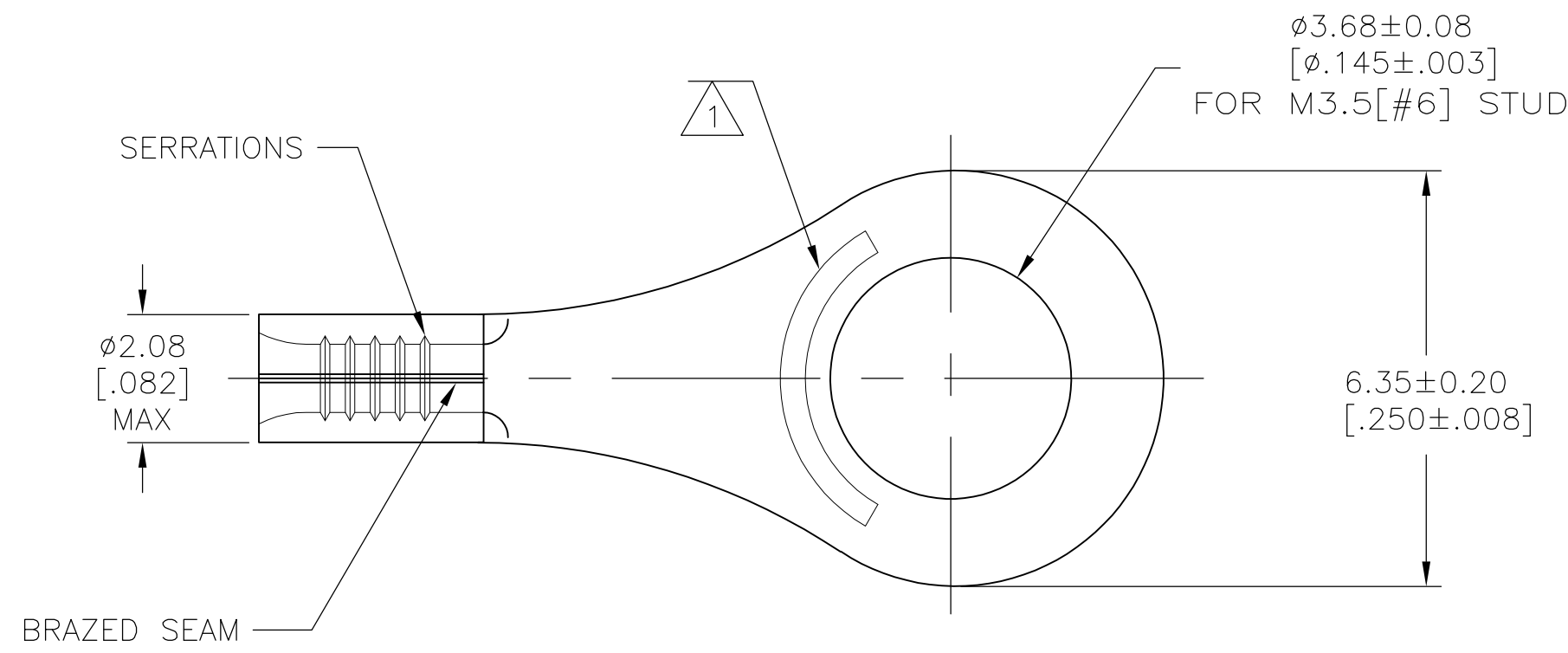


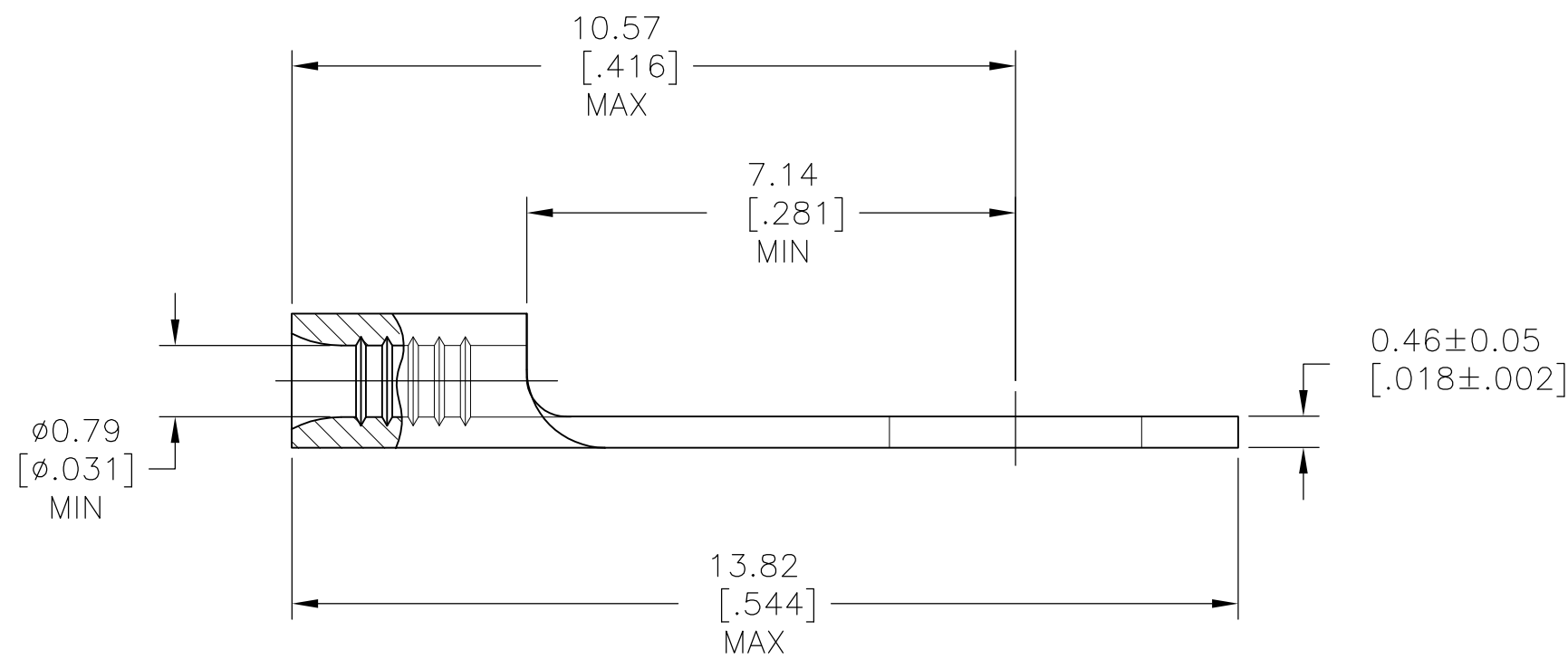
THIS DRAWING IS UNPUBLISHED. RELEASED FOR PUBLICATION
 © COPYRIGHT - By - ALL RIGHTS RESERVED.

LOC	DIST	REVISIONS			
P	LTR	DESCRIPTION	DATE	DWN	APVD
G	14				
	D1	REVISED PER ECO-12-001469	24JAN12	KH	DR



AMP
 WIRE RANGE
 26-22 AWG
 SOLID OR STRANDED

- 1 STAMP AMP APPROX AS SHOWN
- 2 COPPER PER ASTM B152, ANNEALED
- 3 TIN PLATE 0.00254 (0.000100) MIN EXT THK PER ASTM B545
- 4 GOLD PLATE 0.00127 (0.000050) MIN EXT THK PER ASTM B488 TYPE 1, CODE C OVER NICKEL PLATE 0.00127 [0.000050] MIN EXT THK PER SAE AMS QQ-N-290 OVER Cu FLASH PER SAE AMS 2418.
- 5 NOTE DELETED



1000	260° C	LOOSE PIECE	4	1-331401-2
5000	170° C	331401 ON TAPE	3	1-331401-1
1000	170° C	LOOSE PIECE	3	331401
QUANTITY	MAX OPERATING TEMPERATURE	PACKAGE TYPE	FINISH	PART NO

AMP INCORPORATED
CUSTOMER SERVICE SYSTEMS

MAX RECOMMENDED OPERATING TEMPERATURE:
 SEE TABLE

VOLTAGE RATING:
 NOT APPLICABLE

WIRE CROSS SECTIONAL AREA RANGE:
 0.1-0.41mm²[202-810] CIR MILS
 SOLID OR STRANDED

FOR ADDITIONAL PRODUCT INFORMATION OR COPIES OF DRAWINGS AND TECHNICAL DOCUMENTS
 PRODUCT INFORMATION CENTER
 1-800-522-6752

FOR APPLICATION TOOLING INFORMATION
 TOOLING ASSISTANCE CENTER
 1-800-722-1111

FOR ORDER ENTRY
 1-800-526-5142

THIS DRAWING IS A CONTROLLED DOCUMENT FOR AMP INCORPORATED. IT IS SUBJECT TO CHANGE AND THE CONTROLLING ENGINEERING ORGANIZATION SHOULD BE CONTACTED FOR THE LATEST REVISION.

THIS DRAWING IS A CONTROLLED DOCUMENT.

DIMENSIONS: mm [INCHES]

TOLERANCES UNLESS OTHERWISE SPECIFIED:

0 PLC	± -
1 PLC	± -
2 PLC	± -
3 PLC	± -
4 PLC	± -
ANGLES	± -

MATERIAL: 2

FINISH: SEE TABLE

THIS DRAWING IS A CONTROLLED DOCUMENT.

DWN: TA BRINKMAN 3-9-93
 CHK: DA PATTERSON 3-9-93
 APVD: DE MILLER 3-9-93

NAME: TE Connectivity

PRODUCT SPEC: -
 APPLICATION SPEC: -

WEIGHT: -

SCALE: 10:1

SHEET: 1 OF 1

REV: D1

CUSTOMER DRAWING

SIZE: A2

CAGE CODE: 00779

DRAWING NO: C=331401

RESTRICTED TO: -

Mouser Electronics

Authorized Distributor

Click to View Pricing, Inventory, Delivery & Lifecycle Information:

[TE Connectivity:](#)

[331401](#)