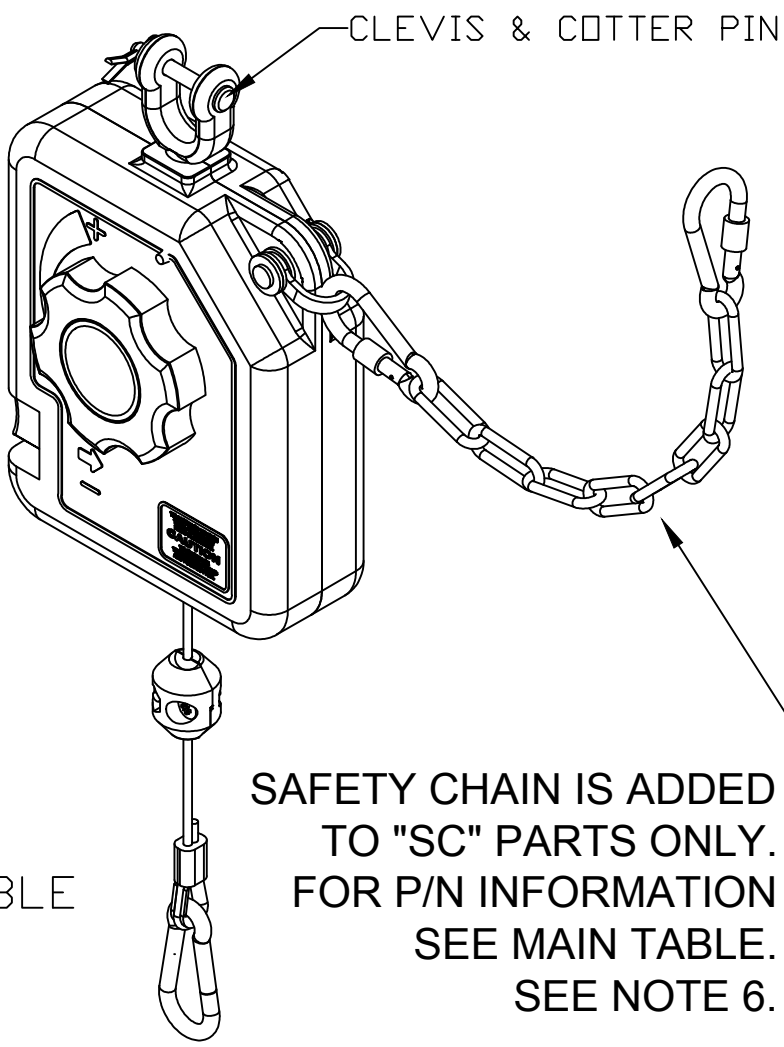
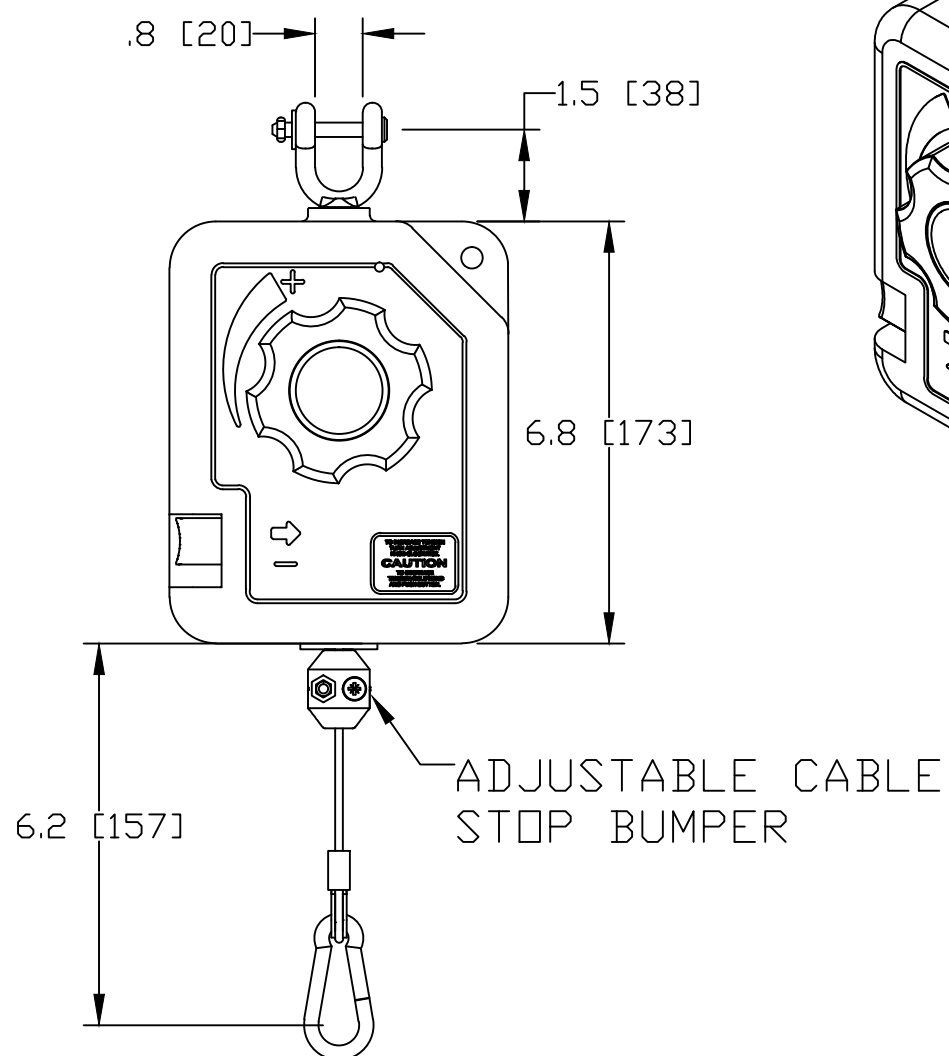
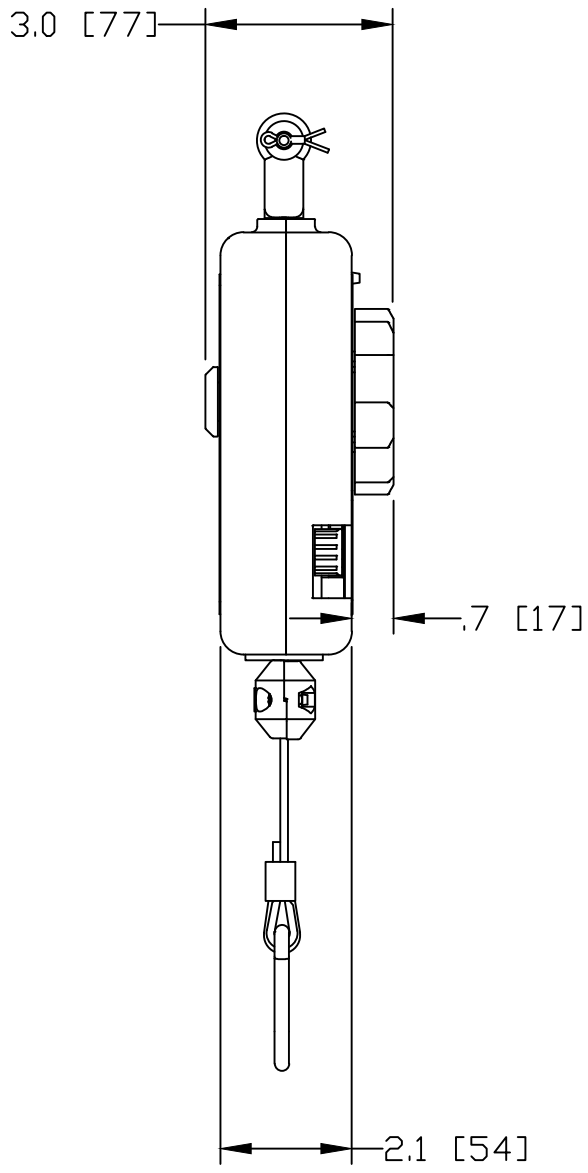
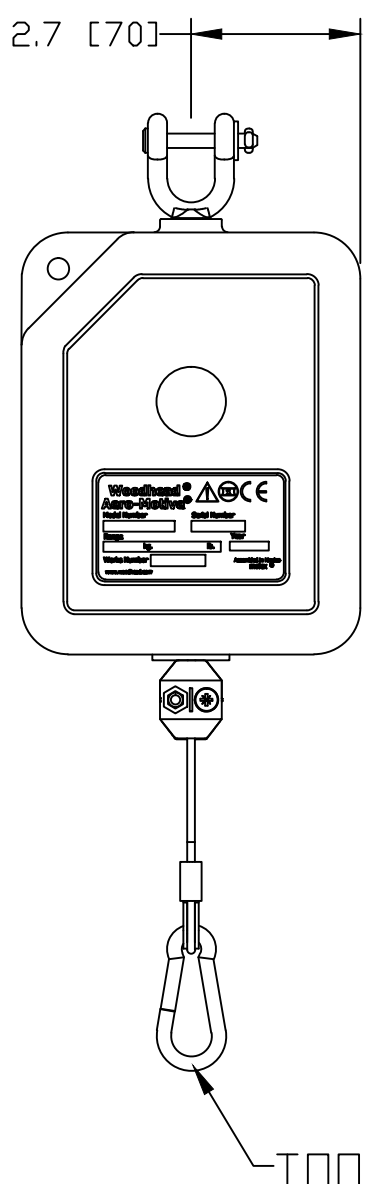


10 9 8 7 6 5 4 3 2 1



SAFETY CHAIN IS ADDED TO "SC" PARTS ONLY. FOR P/N INFORMATION SEE MAIN TABLE. SEE NOTE 6.

- NOTES:
1. RETRACTORS ARE 100% INSPECTED & PRE-TENSIONED AT FACTORY.
  2. HOUSINGS ARE MADE OF GENERAL PURPOSE ABS TO MEET HARSH INDUSTRIAL ENVIRONMENTS.
  3. ALWAYS READ INSTRUCTIONS MANUAL BEFORE USING RETRACTORS.
  4. RETRACTORS ARE NOT TO BE USED AS BALANCERS THEIR MAIN PURPOSE BEING TO RETRACT A LOAD AND NOT TO BALANCE ONE.
  5. OVERALL DIMENSIONS ARE FOR REFERENCE ONLY.
  6. STANDARD CATALOG RETRACTORS ARE NOT EQUIPED WITH SAFETY CHAIN. BUT IF APPLICATION REQUIRES A SAFETY CHAIN ADD "SC" SUFFIX TO STANDARD BALANCER P/N. EXAMPLE RF6SC. ON MAIN MATERIAL NUMBERS TABLE.
  7. RETRACTORS COME WITH A CLEVIS PIN & A COTTER PIN

|  |  |                                   |                                       |              |                 |            |               |   |                        |  |  |  |
|--|--|-----------------------------------|---------------------------------------|--------------|-----------------|------------|---------------|---|------------------------|--|--|--|
| CHANGE COLOR - PUTTY TO BLUE<br>EC NO: IPG2013-1098<br>DRWN: MCHOJECK 8/12/13<br>CHKD: JM<br>APPR: JFMURPHY 2010/03/31 | DESCRIPTION<br>REV                                   | QUALITY SYMBOLS                   | GENERAL TOLERANCES (UNLESS SPECIFIED) |              | DIMENSION STYLE |            | SCALE         | DESIGN UNITS  | THIRD ANGLE PROJECTION |  |  |  |
|  |  | $\nabla=0$<br>$\sphericalangle=0$ | mm                                    | INCH         | IN/MM           |            | NTS           | INCH  |                        |  |  |  |
|  |  |                                   | 4 PLACES                              | ±---         | ±---            | DRAWN BY   | DATE          | TITLE<br>"RF" SERIES OF RETRACTORS  |                        |  |  |  |
|  |  |                                   | 3 PLACES                              | ±---         | ±---            | RHOTCA     | 2010/03/30    |   |                        |  |  |  |
|  |  |                                   | 2 PLACES                              | ±----        | ±---            | CHECKED BY | DATE          | MOLEX INCORPORATED  |                        |  |  |  |
|  | 1 PLACE  | ±---                              | ±---                                  | DT           | 2010/03/30      |            |               |   |                        |  |  |  |
|  | ANGULAR ±1°  |                                   |                                       |              | APPROVED BY     | DATE       | DOCUMENT NO.  |   | SHEET NO.              |  |  |  |
|  | DRAFT WHERE APPLICABLE MUST REMAIN WITHIN DIMENSIONS |                                   |                                       |              | DTITUS          | 2010/03/31 | SD-130173-002 |   | 1 OF 2                 |  |  |  |
|  |  |                                   |                                       | MATERIAL NO. |                 | SEE TABLE  |               | THIS DRAWING CONTAINS INFORMATION THAT IS PROPRIETARY TO MOLEX INCORPORATED AND SHOULD NOT BE USED WITHOUT WRITTEN PERMISSION |                        |  |  |  |
|  |  |                                   |                                       | SIZE         | B               |            |               |   |                        |  |  |  |

10 9 8 7 6 5 4 3 2 1

| MATERIAL NUMBER: | ENG. NUMBER: | DESCRIPTION                           | WEIGHT RANGE IN KG: | CABLE TRAVEL IN METERS: | WEIGHT RANGE IN LB: | CABLE TRAVEL IN FT: | COLOR: |
|------------------|--------------|---------------------------------------|---------------------|-------------------------|---------------------|---------------------|--------|
| 1301730055       | RF6          | RF6 RETRACTOR[4-6LB/1.8-2.7KG], 6.6FT | 1.8 - 2.7           | 2.0                     | 4.0 - 6.0           | 6.6                 | BLUE   |
| 1301730061       | RF8          | RF8 RETRACTOR[6-8LB/2.7-3.6KG], 6.6FT | 2.7 - 3.6           | 2.0                     | 6.0 - 8.0           | 6.6                 | BLUE   |
| 1301730069       | RFL6         | RF6 [4-6LB/1.8-2.7KG] W/RATCHET LOCK  | 1.8 - 2.7           | 2.0                     | 4.0 - 6.0           | 6.6                 | BLUE   |
| 1301730074       | RFL8         | RF8 [6-8LB/2.7-3.6KG] W/RATCHET LOCK  | 2.7 - 3.6           | 2.0                     | 6.0 - 8.0           | 6.6                 | BLUE   |
| 1301730057       | RF6SC        | RF6 [4-6LB/1.8-2.7KG] W/SAFETY CHAIN  | 1.8 - 2.7           | 2.0                     | 4.0 - 6.0           | 6.6                 | BLUE   |
| 1301730065       | RF8SC        | RF8 [6-8LB/2.7-3.6KG] W/SAFETY CHAIN  | 2.7 - 3.6           | 2.0                     | 6.0 - 8.0           | 6.6                 | BLUE   |
| 1301730071       | RFL6SC       | RFL6 [4-6LB/1.8-2.7KG] W/SAFETY CHAIN | 1.8 - 2.7           | 2.0                     | 4.0 - 6.0           | 6.6                 | BLUE   |
| 1301730086       | RFL8SC       | RFL8 [6-8LB/2.7-3.6KG] W/SAFETY CHAIN | 2.7 - 3.6           | 2.0                     | 6.0 - 8.0           | 6.6                 | BLUE   |

|  |          |       |             |                                |   |  |    |      |          |      |      |          |      |      |          |       |      |         |      |      |             |  |  |   |  |   |  |  |
|--|----------|-------|-------------|--------------------------------|---|--|----|------|----------|------|------|----------|------|------|----------|-------|------|---------|------|------|-------------|--|--|---|--|---|--|--|
| CHANGE COLOR - PUTTY TO BLUE<br>EC NO: IPG2013-1098<br>DRWN: MCHOJECK 8/12/13<br>CHKD: JM<br>APPR: JFMURPHY 2010/03/31 | REV      | B     | DESCRIPTION | QUALITY SYMBOLS<br>▽=0<br>◻C=0 | GENERAL TOLERANCES (UNLESS SPECIFIED)<br><table border="1" style="width:100%; border-collapse: collapse;"> <tr> <td></td> <td style="text-align:center;">mm</td> <td style="text-align:center;">INCH</td> </tr> <tr> <td>4 PLACES</td> <td style="text-align:center;">±---</td> <td style="text-align:center;">±---</td> </tr> <tr> <td>3 PLACES</td> <td style="text-align:center;">±---</td> <td style="text-align:center;">±---</td> </tr> <tr> <td>2 PLACES</td> <td style="text-align:center;">±----</td> <td style="text-align:center;">±---</td> </tr> <tr> <td>1 PLACE</td> <td style="text-align:center;">±---</td> <td style="text-align:center;">±---</td> </tr> <tr> <td colspan="3" style="text-align:center;">ANGULAR ±1°</td> </tr> </table> |  | mm | INCH | 4 PLACES | ±--- | ±--- | 3 PLACES | ±--- | ±--- | 2 PLACES | ±---- | ±--- | 1 PLACE | ±--- | ±--- | ANGULAR ±1° |  |  | DIMENSION STYLE<br>IN/MM<br>DRAWN BY DATE<br>RHOTCA 2010/03/30<br>CHECKED BY DATE<br>DT 2010/03/30<br>APPROVED BY DATE<br>DTITUS 2010/03/31 | SCALE NTS<br>DESIGN UNITS INCH<br>THIRD ANGLE PROJECTION | TITLE<br>"RF" SERIES OF RETRACTORS<br>-----<br>MOLEX INCORPORATED | MATERIAL NO.<br>SEE TABLE<br>SIZE B<br>THIS DRAWING CONTAINS INFORMATION THAT IS PROPRIETARY TO MOLEX INCORPORATED AND SHOULD NOT BE USED WITHOUT WRITTEN PERMISSION | DOCUMENT NO.<br>SD-130173-002<br>SHEET NO.<br>2 OF 2 |
|  |          | mm    | INCH        |                                |   |  |    |      |          |      |      |          |      |      |          |       |      |         |      |      |             |  |  |   |  |   |  |  |
|  | 4 PLACES | ±---  | ±---        |                                |   |  |    |      |          |      |      |          |      |      |          |       |      |         |      |      |             |  |  |   |  |   |  |  |
|  | 3 PLACES | ±---  | ±---        |                                |   |  |    |      |          |      |      |          |      |      |          |       |      |         |      |      |             |  |  |   |  |   |  |  |
|  | 2 PLACES | ±---- | ±---        |                                |   |  |    |      |          |      |      |          |      |      |          |       |      |         |      |      |             |  |  |   |  |   |  |  |
| 1 PLACE  | ±---     | ±---  |             |                                |   |  |    |      |          |      |      |          |      |      |          |       |      |         |      |      |             |  |  |   |  |   |  |  |
| ANGULAR ±1°  |          |       |             |                                |   |  |    |      |          |      |      |          |      |      |          |       |      |         |      |      |             |  |  |   |  |   |  |  |

# Mouser Electronics

Authorized Distributor

Click to View Pricing, Inventory, Delivery & Lifecycle Information:

Molex:

1301730055 RF6