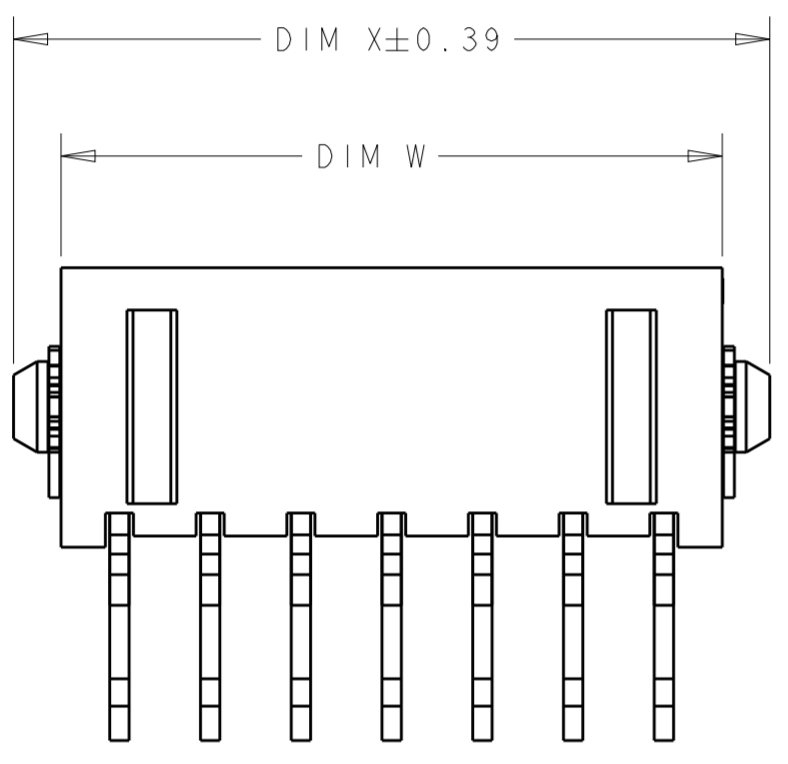
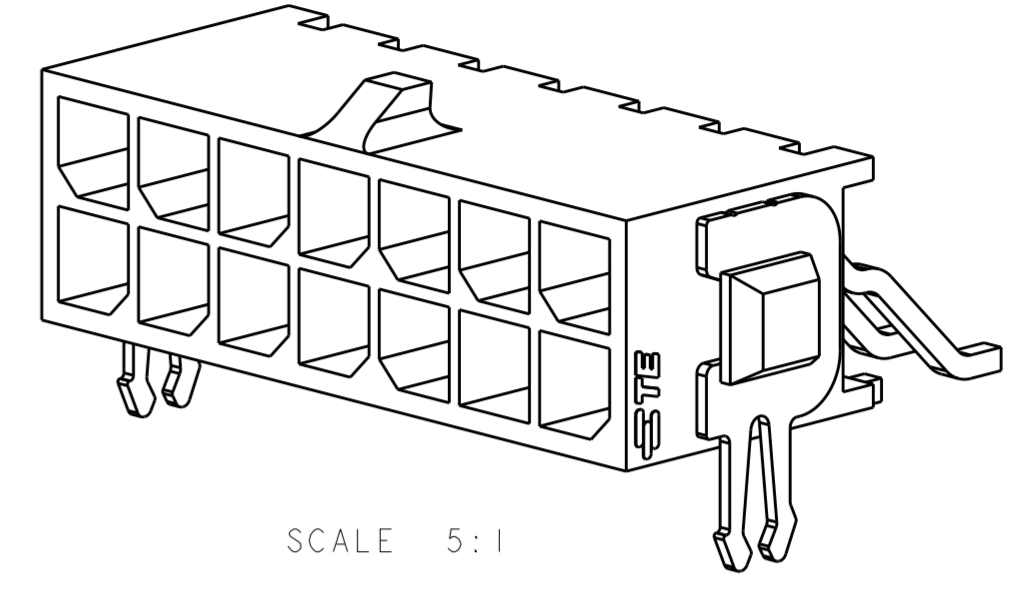
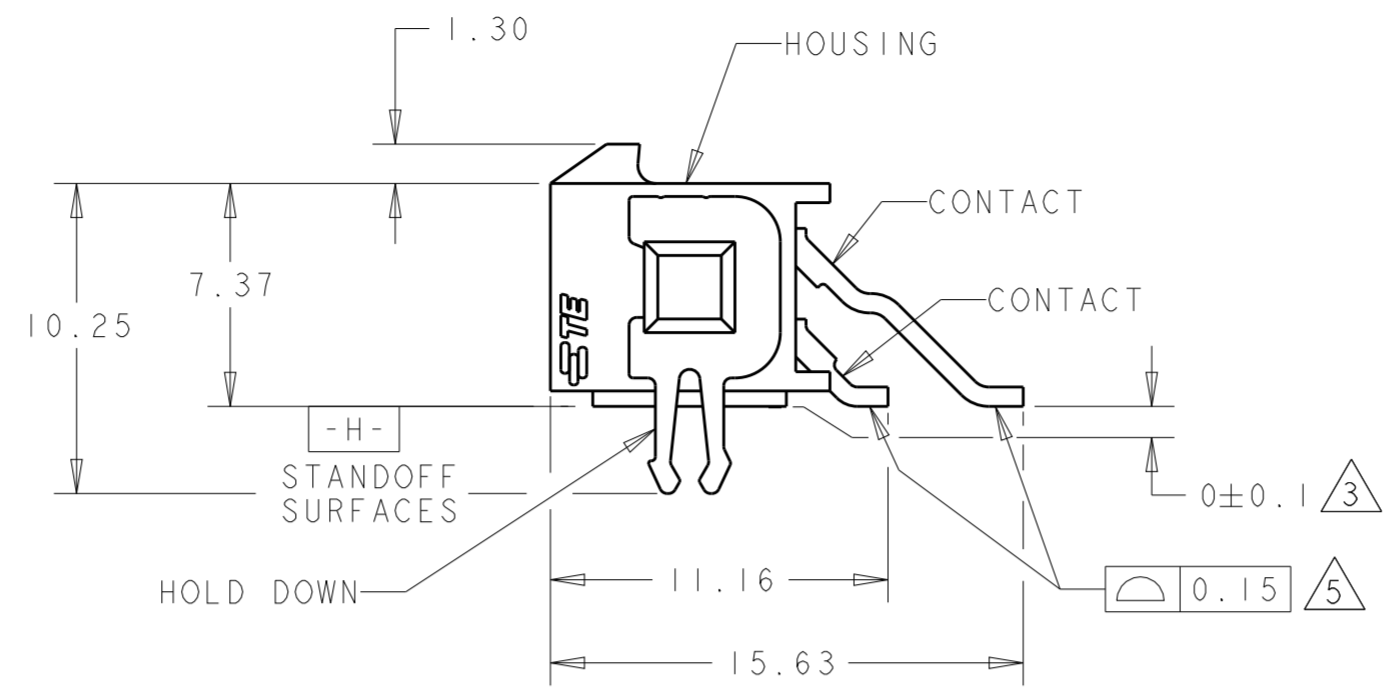
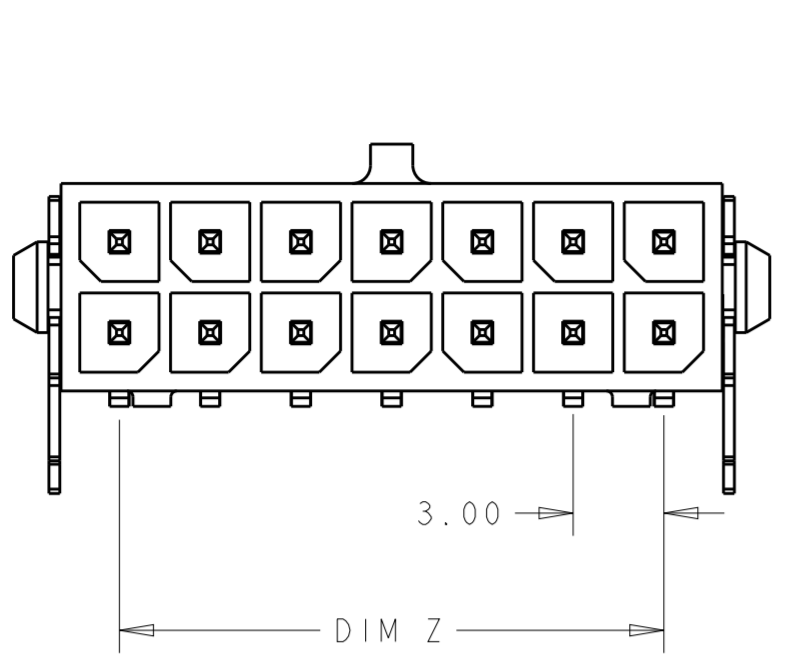
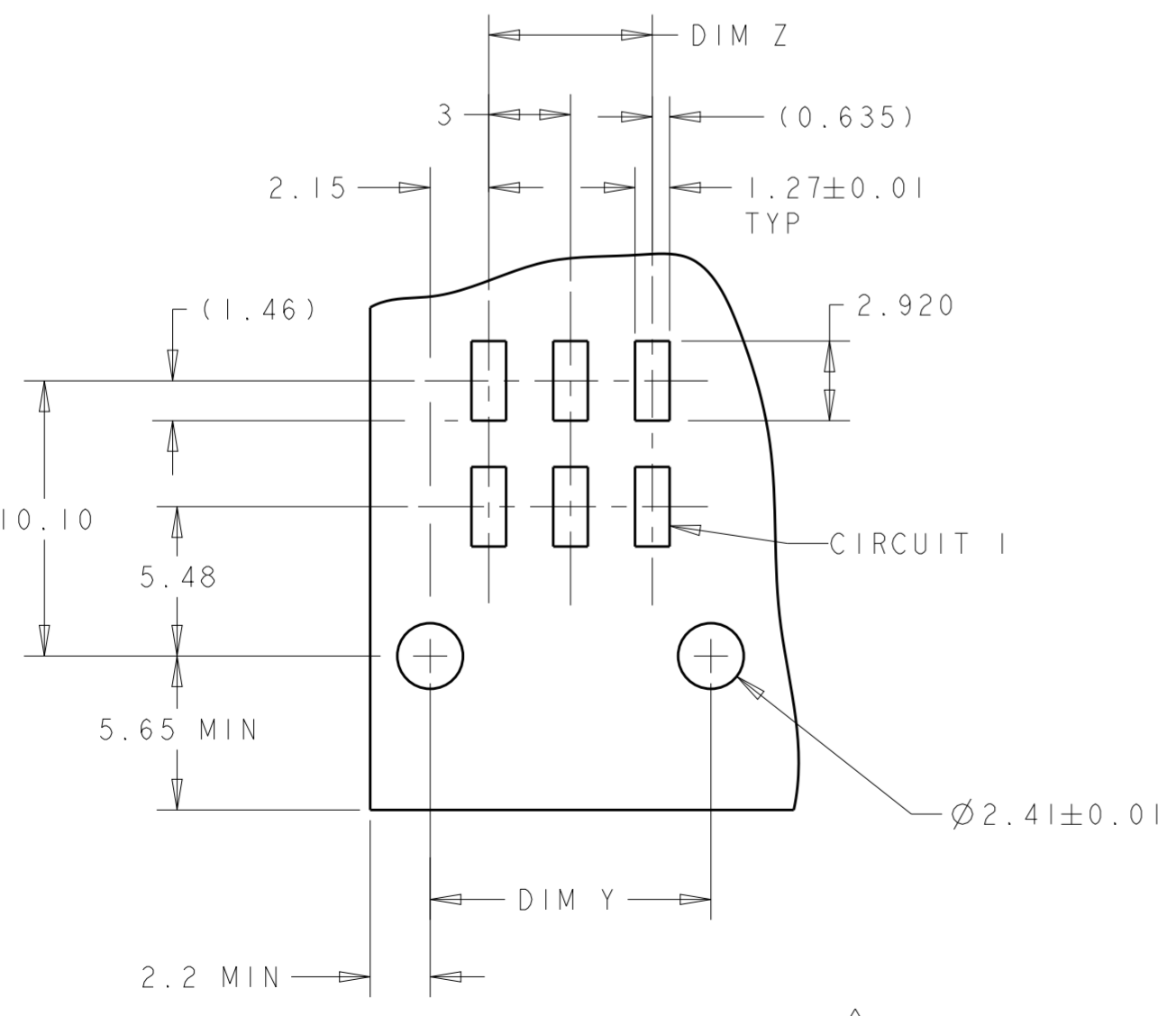


THIS DRAWING IS UNPUBLISHED. RELEASED FOR PUBLICATION 20  
 © COPYRIGHT 20 BY - ALL RIGHTS RESERVED.

REVISIONS					
P	LTR	DESCRIPTION	DATE	DWN	APVD
G1		REVISED PER ECR-16-011494	22JUN2017	NK	CX
G2		ECO-19-006502	30APR2019	AP	WS



- 1 MATERIAL;  
CONTACTS - BRASS.  
HOUSING - UL 94V-0 RATED HIGH TEMP NYLON,  
COLOR; BLACK.  
HOLD DOWNS - PHOSPHOR BRONZE.
- 2 FINISH;  
CONTACTS - 2.54µm MINIMUM TIN-LEAD OVER 1.27µm  
MINIMUM NICKEL.  
HOLD DOWNS - 2.54µm TIN LEAD.
- 3 DIMENSION APPLIES TO SOLDERTAIL SURFACES  
AND STANDOFF SURFACES.
- 4 RECOMMENDED PC BOARD THICKNESS OF 1.57.
- 5 ALL SOLDERTAILS.
- 6 FINISH;  
CONTACTS - 2.54µm MINIMUM MATTE TIN OVER 1.27µm  
MINIMUM NICKEL.



RECOMMENDED PCB LAYOUT (COMPONENT SIDE) 4

6	36.86	37.30	33.00	40.00	24	5-794624-4
	33.86	34.30	30.00	37.00	22	5-794624-2
	30.86	31.30	27.00	34.00	20	5-794624-0
	27.86	28.30	24.00	31.00	18	4-794624-8
	24.86	25.30	21.00	28.00	16	4-794624-6
	21.86	22.30	18.00	25.00	14	4-794624-4
	18.86	19.30	15.00	22.00	12	4-794624-2
	15.86	16.30	12.00	19.00	10	4-794624-0
	12.86	13.30	9.00	16.00	8	3-794624-8
	9.86	10.30	6.00	13.00	6	3-794624-6
	6.86	7.30	3.00	10.00	4	3-794624-4
	3.86	4.30	-	7.00	2	3-794624-2
	36.86	37.30	33.00	40.00	24	<del>2-794624-4</del>
	33.86	34.30	30.00	37.00	22	<del>2-794624-2</del>
	30.86	31.30	27.00	34.00	20	<del>2-794624-0</del>
	27.86	28.30	24.00	31.00	18	<del>1-794624-8</del>
	24.86	25.30	21.00	28.00	16	<del>1-794624-6</del>
	21.86	22.30	18.00	25.00	14	<del>1-794624-4</del>
	18.86	19.30	15.00	22.00	12	<del>1-794624-2</del>
	15.86	16.30	12.00	19.00	10	<del>1-794624-0</del>
	12.86	13.30	9.00	16.00	8	<del>794624-8</del>
	9.86	10.30	6.00	13.00	6	<del>794624-6</del>
	6.86	7.30	3.00	10.00	4	<del>794624-4</del>
	3.86	4.30	-	7.00	2	<del>794624-2</del>

SUPERSEDED BY 5-794624-4  
 SUPERSEDED BY 5-794624-2  
 SUPERSEDED BY 5-794624-0  
 SUPERSEDED BY 4-794624-8  
 SUPERSEDED BY 4-794624-6  
 SUPERSEDED BY 4-794624-4  
 SUPERSEDED BY 4-794624-2  
 SUPERSEDED BY 4-794624-0  
 SUPERSEDED BY 3-794624-8  
 SUPERSEDED BY 3-794624-6  
 SUPERSEDED BY 3-794624-4  
 SUPERSEDED BY 3-794624-2

THIS DRAWING IS A CONTROLLED DOCUMENT.		DWN S. HOOPER 23-MAR-2005	TE Connectivity	
		CHK C. JONES 23-MAR-2005		
		APVD C. JONES 23-MAR-2005	NAME SURFACE MOUNT, RIGHT ANGLE, MECH. HOLD DOWN, ASSEMBLY, TIN HEADER, DUAL ROW, MICRO MATE-N-LOK (TM)	
DIMENSIONS: mm		TOLERANCES UNLESS OTHERWISE SPECIFIED:	PRODUCT SPEC 108-1836	
0 PLC ± 1 PLC ± 2 PLC ±0.13 3 PLC ± 4 PLC ±		ANGLES ±	APPLICATION SPEC 114-13000	
MATERIAL 1		FINISH SEE TABLE	WEIGHT -	
		CUSTOMER DRAWING		SCALE 4:1 SHEET 1 OF 1 REV G2