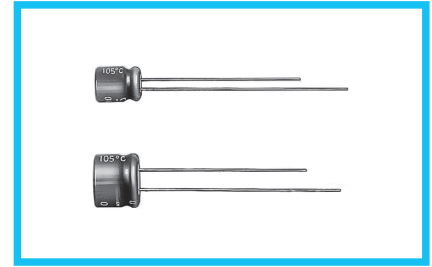
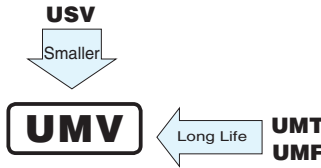


UMV 5mmL, Long Life Assurance



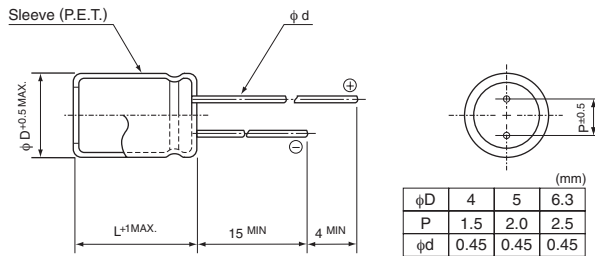
- Extended load life of 5000 hours at +105°C, with 5mm height.
- Compliant to the RoHS directive (2011/65/EU).



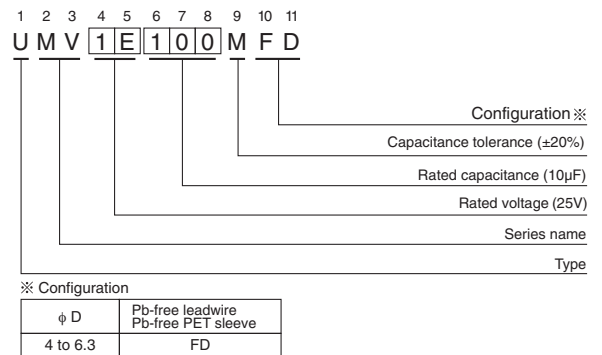
Specifications

Item	Performance Characteristics																									
Category Temperature Range	-40 to +105°C																									
Rated Voltage Range	4 to 50V																									
Rated Capacitance Range	1 to 100μF																									
Capacitance Tolerance	±20% at 120Hz, 20°C																									
Leakage Current	After 2 minutes' application of rated voltage at 20°C, leakage current is not more than 0.01CV or 3 (μA), whichever is greater.																									
Tangent of loss angle (tan δ)	Measurement frequency : 120Hz at 20°C																									
	<table border="1"> <tr> <td>Rated voltage (V)</td> <td>4</td> <td>6.3</td> <td>10</td> <td>16</td> <td>25</td> <td>35</td> <td>50</td> </tr> <tr> <td>tan δ (MAX.)</td> <td>0.37</td> <td>0.28</td> <td>0.24</td> <td>0.20</td> <td>0.16</td> <td>0.13</td> <td>0.12</td> </tr> </table>	Rated voltage (V)	4	6.3	10	16	25	35	50	tan δ (MAX.)	0.37	0.28	0.24	0.20	0.16	0.13	0.12									
Rated voltage (V)	4	6.3	10	16	25	35	50																			
tan δ (MAX.)	0.37	0.28	0.24	0.20	0.16	0.13	0.12																			
Stability at Low Temperature	Measurement frequency : 120Hz																									
	<table border="1"> <tr> <td colspan="2">Rated voltage (V)</td> <td>4</td> <td>6.3</td> <td>10</td> <td>16</td> <td>25</td> <td>35</td> <td>50</td> </tr> <tr> <td rowspan="2">Impedance ratio ZT / Z20 (MAX.)</td> <td>Z-25°C / Z+20°C</td> <td>8</td> <td>4</td> <td>3</td> <td>2</td> <td>2</td> <td>2</td> <td>2</td> </tr> <tr> <td>Z-40°C / Z+20°C</td> <td>14</td> <td>10</td> <td>7</td> <td>5</td> <td>3</td> <td>3</td> <td>3</td> </tr> </table>	Rated voltage (V)		4	6.3	10	16	25	35	50	Impedance ratio ZT / Z20 (MAX.)	Z-25°C / Z+20°C	8	4	3	2	2	2	2	Z-40°C / Z+20°C	14	10	7	5	3	3
Rated voltage (V)		4	6.3	10	16	25	35	50																		
Impedance ratio ZT / Z20 (MAX.)	Z-25°C / Z+20°C	8	4	3	2	2	2	2																		
	Z-40°C / Z+20°C	14	10	7	5	3	3	3																		
Endurance	The specifications listed at right shall be met when the capacitors are restored to 20°C after the rated voltage is applied for 5000 hours at 105°C.																									
	Capacitance change	Within ±30% of the initial capacitance value																								
	tan δ	300% or less than the initial specified value																								
Shelf Life	After storing the capacitors under no load at 105°C for 1000 hours and then performing voltage treatment based on JIS C 5101-4 clause 4.1 at 20°C, they shall meet the specified values for the endurance characteristics listed above.																									
	Leakage current	Less than or equal to the initial specified value																								
Marking	Printed with silver color letter on dark brown sleeve.																									

Radial Lead Type



Type numbering system (Example : 25V 10μF)



Dimensions

Cap.(μF)	Code	V		4		6.3		10		16		25		35		50		
		4	6.3	4	6.3	4	6.3	4	6.3	4	6.3	4	6.3	4	6.3	4	6.3	
1	010																4 × 5	6.2
2.2	2R2																4 × 5	11
3.3	3R3																4 × 5	14
4.7	4R7																5 × 5	19
10	100											4 × 5	13	4 × 5	15	6.3 × 5	30	
22	220	4 × 5	22	4 × 5	22	5 × 5	27	5 × 5	30	6.3 × 5	38	6.3 × 5	42					
33	330	5 × 5	30	5 × 5	30	5 × 5	35	6.3 × 5	40	6.3 × 5	48							
47	470	5 × 5	36	5 × 5	36	6.3 × 5	46	6.3 × 5	50									
100	101	6.3 × 5	60	6.3 × 5	60											Case size φD × L (mm)	Rated ripple	

Rated ripple current (mArms) at 105°C 120Hz

Frequency coefficient of rated ripple current

Frequency	50 Hz	120 Hz	300 Hz	1 kHz	10 kHz or more
Coefficient	0.70	1.00	1.17	1.36	1.50

Please refer to page 20, 21, 22 about the formed or taped product spec.
Please refer to page 4 for the minimum order quantity.

Mouser Electronics

Authorized Distributor

Click to View Pricing, Inventory, Delivery & Lifecycle Information:

Nichicon:

[UMV0J330MFD](#) [UMV0J470MFD](#) [UMV1E100MFD](#) [UMV1E220MFD](#) [UMV0J101MFD](#) [UMV0J220MFD](#)
[UMV0G330MFD](#) [UMV0G470MFD](#) [UMV1C100MFD](#) [UMV1C100MFD1TP](#) [UMV1C220MFD](#) [UMV0G101MFD](#)
[UMV0G220MFD](#) [UMV1A220MFD](#) [UMV1A330MFD](#) [UMV1A470MFD](#) [UMV1E330MFD](#) [UMV1E4R7MFD](#)
[UMV1H010MFD](#) [UMV1H4R7MFD](#) [UMV1HR22MFD](#) [UMV1HR33MFD](#) [UMV1C330MFD](#) [UMV1C470MFD](#)
[UMV1H2R2MFD](#) [UMV1H3R3MFD](#) [UMV1H0R1MFD](#) [UMV1H100MFD](#) [UMV1V220MFD](#) [UMV1V4R7MFD](#)
[UMV1HR47MFD](#) [UMV1V100MFD](#) [UMV0J101MFD1TP](#) [UMV1V100MFD1TP](#) [UMV1C330MFD1TP](#)
[UMV1H100MFD1TP](#) [UMV1H010MFD1TP](#) [UMV1C220MFD1TP](#) [UMV1E100MFD1TP](#) [UMV0J330MFD1TP](#)
[UMV1HR47MFD1TP](#) [UMV1E330MFD1TP](#) [UMV1H3R3MFD1TP](#) [UMV1A470MFD1TP](#) [UMV1A220MFD1TP](#)
[UMV1H4R7MFD1TP](#) [UMV1E220MFD1TP](#) [UMV0G101MFD1TP](#) [UMV0G330MFD1TP](#) [UMV1V220MFD1TP](#)
[UMV1HR22MFD1TP](#) [UMV1C470MFD1TP](#) [UMV1H0R1MFD1TP](#) [UMV1HR33MFD1TP](#) [UMV1E220MFD1TE](#)
[UMV1A330MFD1TE](#) [UMV1C220MFD1TE](#) [UMV1V220MFD1TE](#) [UMV1E4R7MFD1TE](#) [UMV1E100MFD1TE](#)
[UMV1A220MFD1TE](#) [UMV1V4R7MFD1TE](#)