

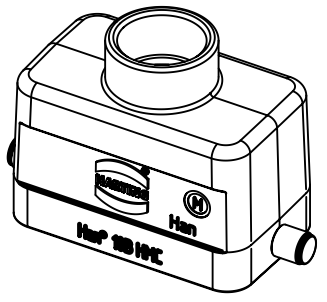
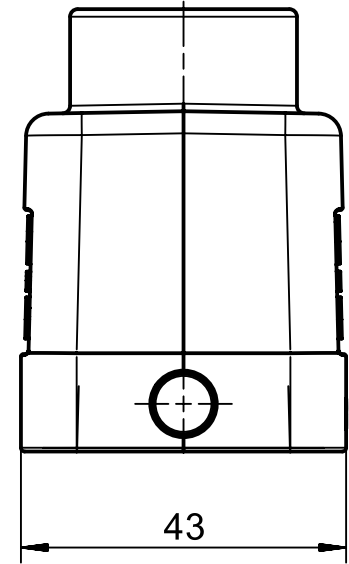
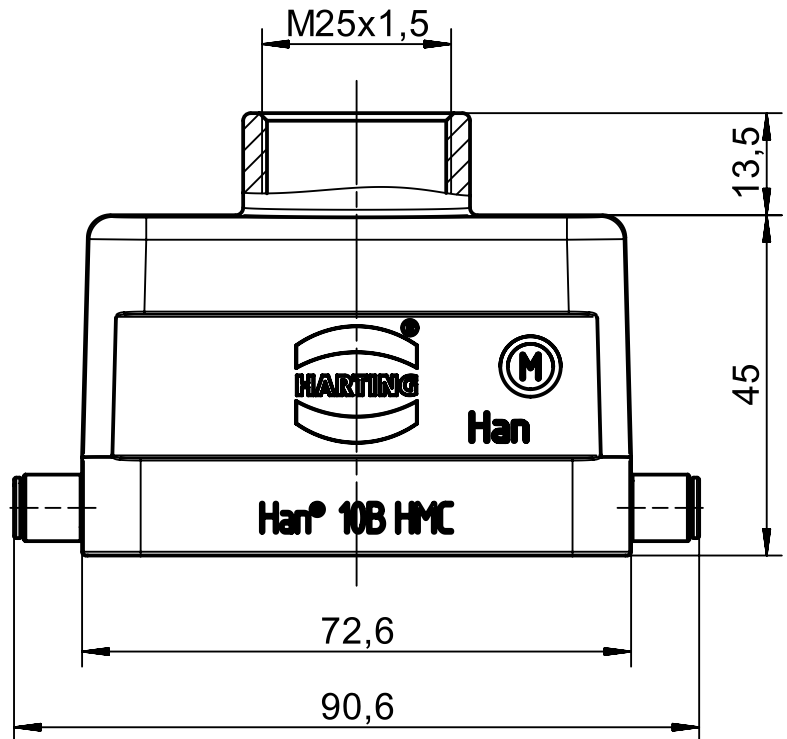
1 2 3 4 5 6

A

B

C

D



	All Dimensions in mm Original Size DIN A4		Scale 1:1	Free size tol.		Ref.	
						Sub.	
	All rights reserved Department EL PD - DE		Created by RULLKOETTER	Inspected by BERGHORN	Standardisation TIEMANNA	Date 2013-08-14	State Approved
	HARTING Electric GmbH & Co. KG D-32339 Espelkamp		Title Han 10B-HMC-gg-R-M25			Doc-Key / ECM-Nr. 100521540/UGD/002/B 500000065375	
			Type TB	Number 19 30 210 1441		Rev. B	Page 1/1

Mouser Electronics

Authorized Distributor

Click to View Pricing, Inventory, Delivery & Lifecycle Information:

[HARTING:](#)

[19302101441](#) [19302161541](#)