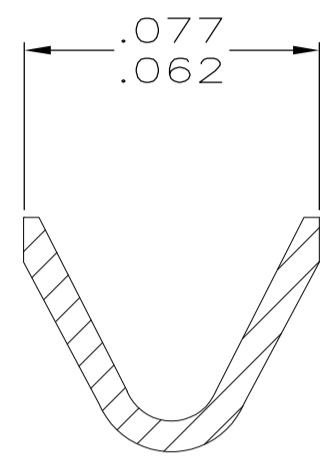
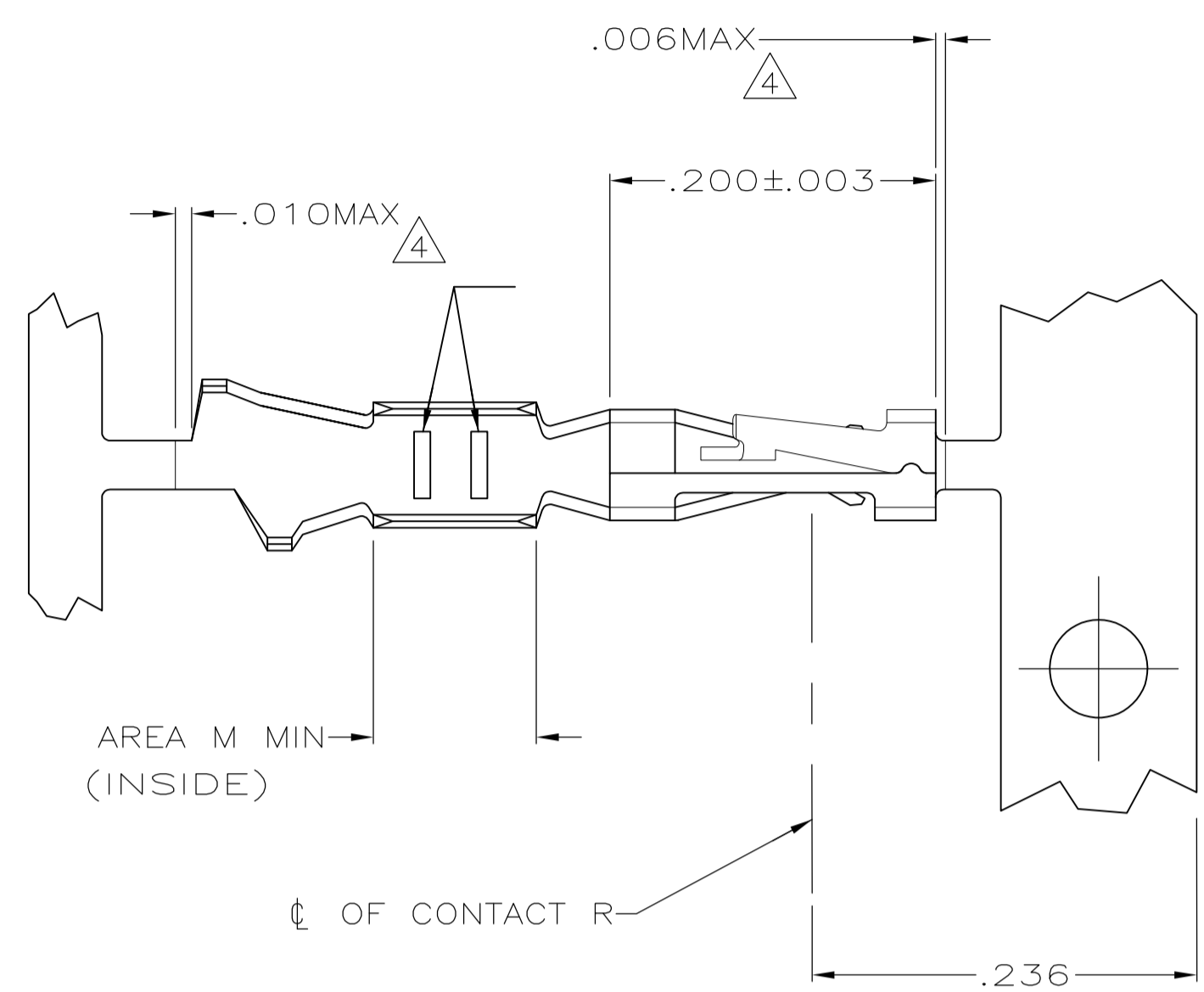
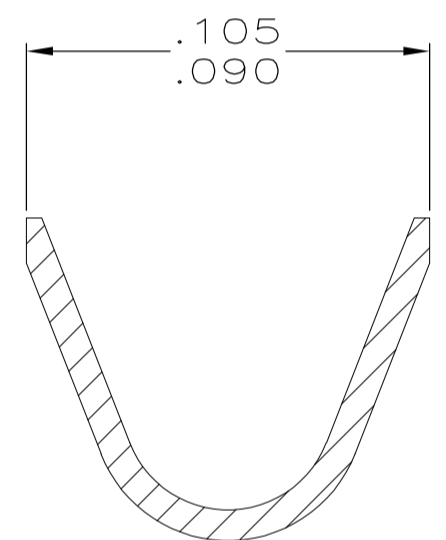
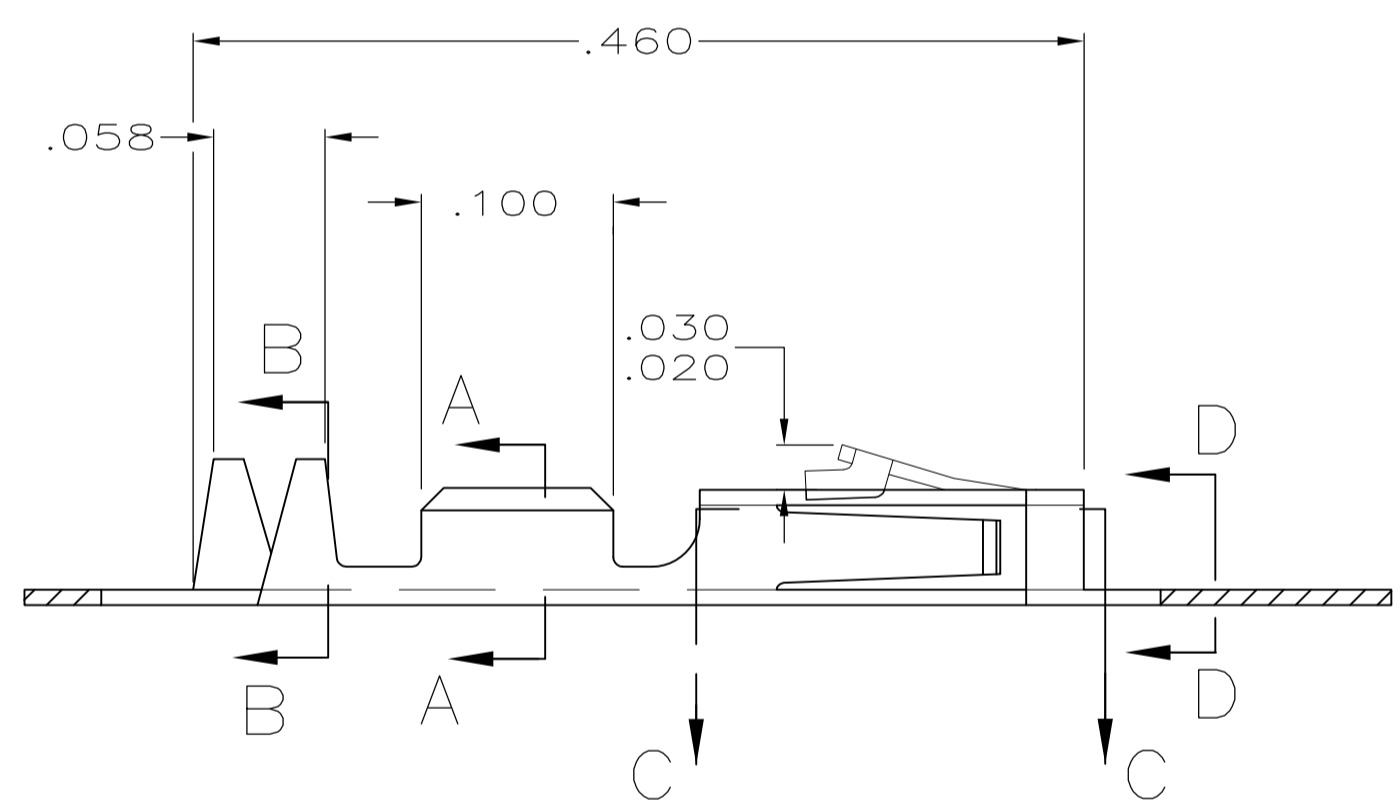


| LOC | | DIST | | REVISIONS | | | |
|-----|---------------------------|------|---------|-----------|-----|------|--|
| AD | 39 | REV | DATE | BY | CHK | APPV | |
| S1 | REVISED PER ECO-11-004587 | | 11MAR11 | RK | HMR | | |

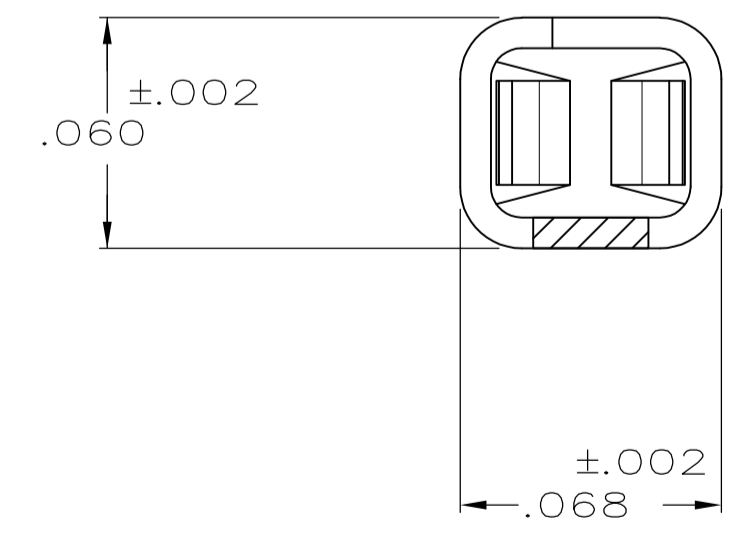
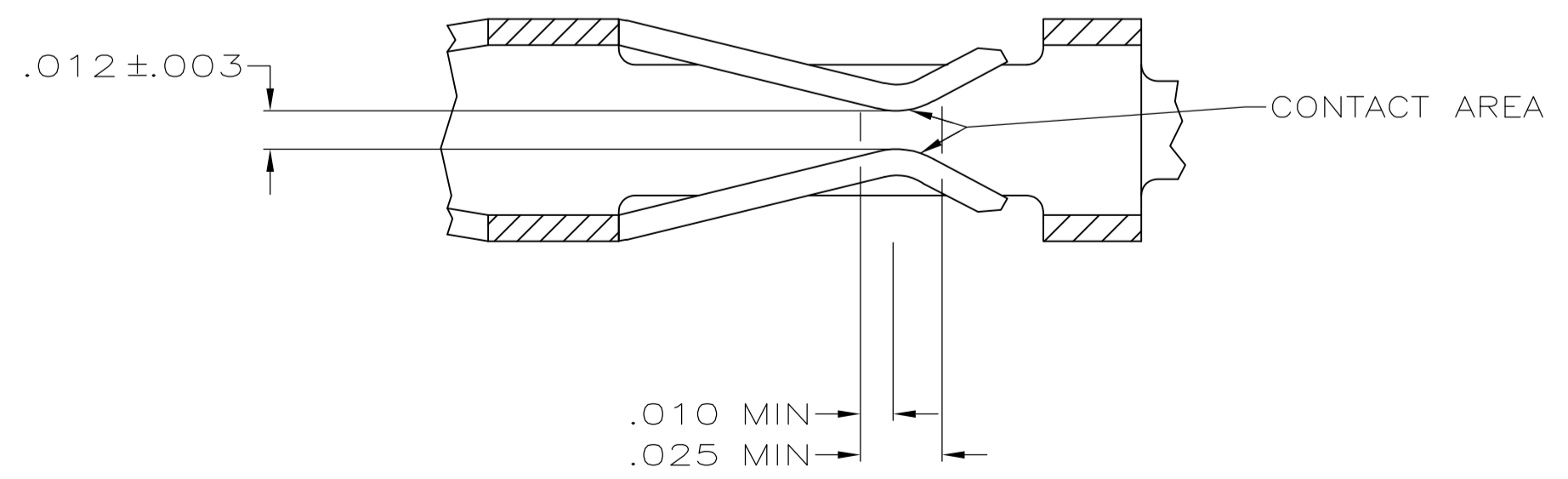


SECTION A-A
SCALE 20:1

- 1 .000100 MIN BRIGHT TIN-LEAD OVER .000050 MIN NICKEL ON ENTIRE CONTACT
- 2 .000050 MIN NICKEL ON ENTIRE CONTACT; .000015 MIN GOLD ON CONTACT AREA; .000050 MIN BRIGHT TIN-LEAD ON AREA M.
- 3 .000050 MIN NICKEL ON ENTIRE CONTACT; .000030 MIN GOLD ON CONTACT AREA; .000050 MIN BRIGHT TIN-LEAD ON AREA M.
- 4 LOOSE PIECE CUT-OFF DIMENSION.
- 5 OBSOLETE PART NUMBER.
- 6 .000015 MIN GOLD ON CONTACT AREA, .000050 MIN TIN ON AREA M, ALL OVER .000050-.000100 NICKEL ON ENTIRE CONTACT.
- 7 .000030 MIN GOLD ON CONTACT AREA, .000050 MIN TIN ON AREA M, ALL OVER .000050-.000100 NICKEL ON ENTIRE CONTACT.
- 8 .000100-.000200 TIN OVER .000050 MIN NICKEL ON ENTIRE CONTACT.



SECTION B-B
INSULATION RANGE .025-.060
SCALE 20:1



SECTION D-D
SCALE 20:1

SECTION C-C
SCALE 20:1

| REMARKS | FINISH | PART NO |
|-------------|--------|------------|
| STRIP | 8 | 1-104480-7 |
| LOOSE PIECE | 7 REF | 1-104480-6 |
| LOOSE PIECE | 6 REF | 1-104480-5 |
| LOOSE PIECE | 8 REF | 1-104480-4 |
| STRIP | 7 | 1-104480-3 |
| STRIP | 6 | 1-104480-2 |
| LOOSE PIECE | | 1-104480-1 |
| LOOSE PIECE | | 1-104480-0 |
| LOOSE PIECE | 3 REF | 104480-9 |
| LOOSE PIECE | 2 REF | 104480-8 |
| LOOSE PIECE | 1 REF | 104480-7 |
| STRIP | | 104480-6 |
| STRIP | | 104480-5 |
| STRIP | 3 | 104480-4 |
| STRIP | 2 | 104480-3 |
| STRIP | 1 | 104480-2 |

THIS DRAWING IS A CONTROLLED DOCUMENT.

| | | | | | |
|---------------------------|--|-------------------------|----------------------|----------------------------|--------------------|
| DIMENSIONS: INCHES | TOLERANCES UNLESS OTHERWISE SPECIFIED: | DWG: C. OBERMAN 5-10-89 | CHK: K. HELM 5-12-89 | APPROV: R. ELICKER 5-12-89 | NAME: R. ELICKER |
| 0 PLC ± - | 1 PLC ± - | 2 PLC ± - | 3 PLC ± .005 | 4 PLC ± - | ANGLES ± - |
| MATERIAL: PHOSPHOR BRONZE | FINISH: SEE TABLE | WEIGHT: - | SIZE: A1 | CAGE CODE: 00779 | DRAWING NO: 104480 |
| CUSTOMER DRAWING | | SCALE: 10:1 | SHEET: 1 OF 1 | REV: S1 | |

STE TE Connectivity

CONTACT, CRIMP SNAP-IN
AMPMODU SHORT POINT, 22-26 AWG

Mouser Electronics

Authorized Distributor

Click to View Pricing, Inventory, Delivery & Lifecycle Information:

TE Connectivity:

[1-104480-2 \(Mouser Reel\)](#) [1-104480-2 \(Cut Strip\)](#) [1-104480-7 \(Mouser Reel\)](#) [1-104480-7 \(Cut Strip\)](#) [1-104480-3 \(CUT STRIP\)](#) [1-104480-3 \(MOUSER REEL\)](#)