

1

2

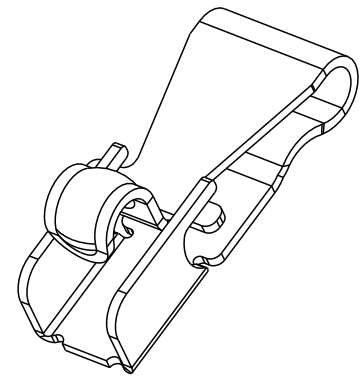
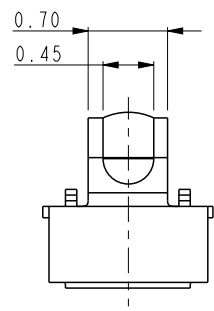
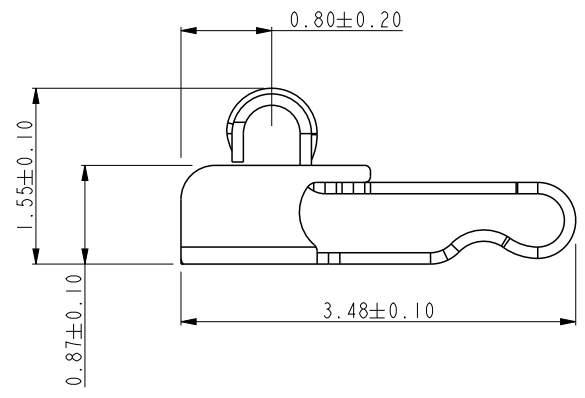
3

4

| | |
|-----|-----------------|
| | PRODUCT NO. |
| FCI | 10115748-001RLF |
| | 10115748-003RLF |
| | 10115748-009RLF |

A

B

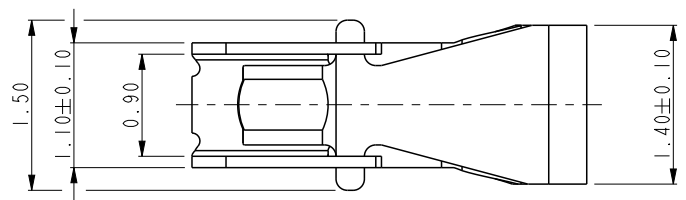


A

B



C



- NOTES:
- MATERIAL: BERYLLIUM COPPER ALLOY.
 - CONTACT PLATING:
 - CONTACT AREA: PLATING 1um Au OVER 1.0/3.0 um Ni UNDERPLATE.
 - or PLATING 0.05~0.15um Au OVER 1.0/3.0 um Ni UNDERPLATE.
 - or PLATING 1um GXT OVER 1.0/3.0 um Ni UNDERPLATE.
 - (1um GXT is 0.025-0.125um Au over 0.875um PdNi)
 - SOLDER AREA: PLATING 0.05 TO 0.15um Au OVER 1.0/3.0 um Ni UNDERPLATE.
 - PACKAGING: TAPE & REEL
 - PART NUMBER DESCRIPTION: 10115748- 0 0 X X X

- LF: LEAD FREE
- R: TAPE & REEL
- CONTACT PLATING:
 - 1: 1um Au OVER Ni
 - 3: 0.05 to 0.15um Au OVER Ni
 - 9: 1um GXT OVER Ni

| rev | ecn no | dr | date |
|-----|-----------------|------|------------|
| A | DG10-0291 | NZ | 2010-08-05 |
| B | DG11-0048 | SM | 2011-02-22 |
| C | ELX-DG-011091-1 | ANDY | 2012-03-28 |
| - | - | - | - |
| - | - | - | - |
| - | - | - | - |

Copyright FCI.

D

| | | | | | | | | | | |
|---------------------------------------|------------|-------|----------------|------------|-------------------|----|------------------------|--------------|----------|--------|
| spec ref | * | dr | Louis Ng | 2010/08/11 | projection | mm | size | A4 | scale | 15.000 |
| tolerance std | ASME Y14.5 | eng | Andy Lu | 2012/03/28 | | | ecn no ELX-DG-011091-1 | | | |
| TOLERANCES UNLESS OTHERWISE SPECIFIED | | chr | Young Ou | 2012/03/28 | | | rel level Released | | | |
| surface | ✓ | appr | Pei-Ming Zheng | 2012/03/28 | product family | - | dwg no | | 10115748 | rev |
| ASME Y14.5 | linear | 0.X | ±0.25 | | title | | ANTENNA CONNECTOR | | | |
| | | 0.XX | ±0.10 | | UNIVERSAL CONTACT | | | | | |
| | | 0.XXX | ±0.050 | | cat. no. | - | Product - Customer Drw | sheet 1 of 1 | | |
| | angular | 0° | ±2° | | | | | | | |

PrdE File - REV C - 2009-06-09

2

3

4

Mouser Electronics

Authorized Distributor

Click to View Pricing, Inventory, Delivery & Lifecycle Information:

[FCI / Amphenol:](#)

[10115748-009RLF](#) [10115748-001RLF](#)