

PART NAME

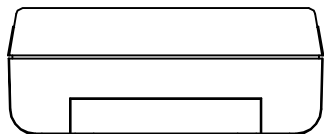
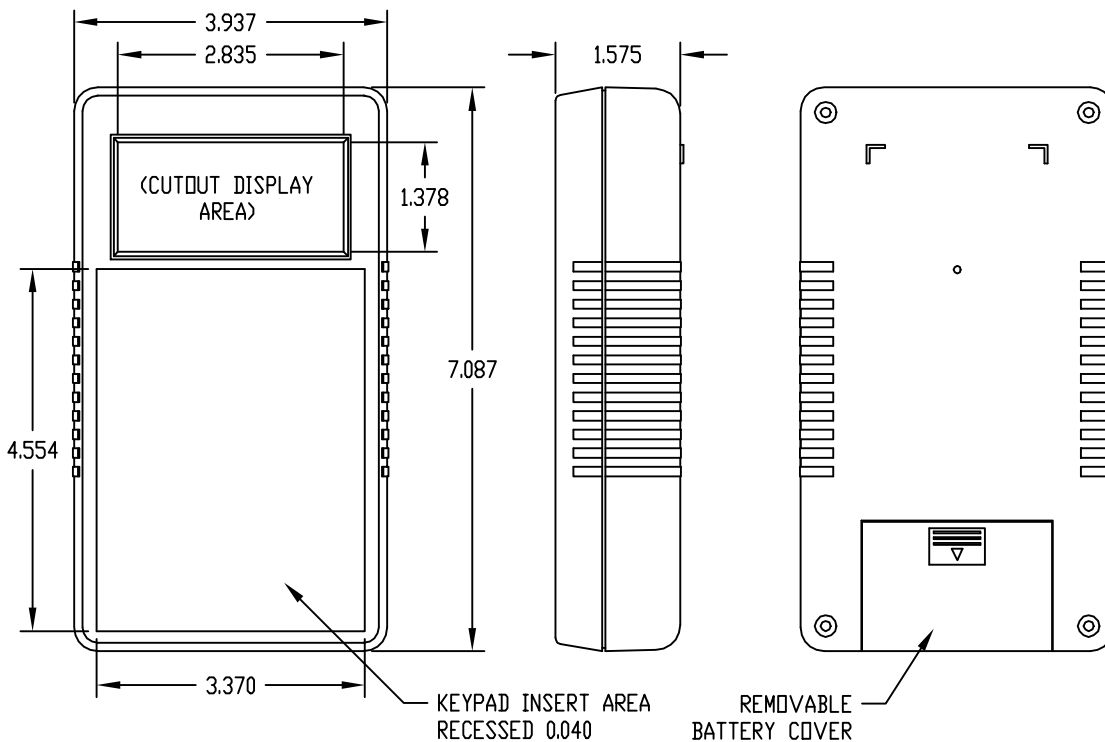
HAND HELD ENCLOSURE (STYLE A)

PART No.

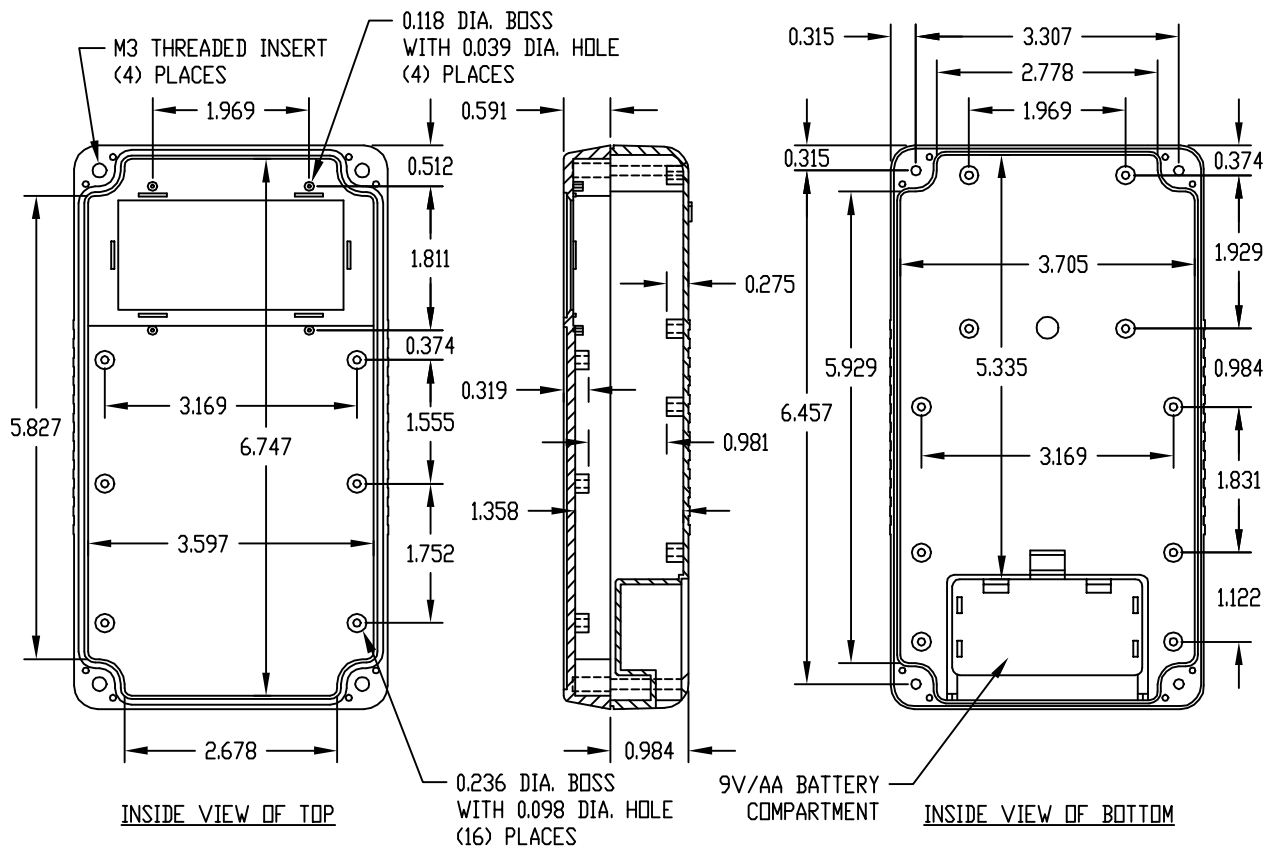
HH-3401-BC

MATERIAL: HIGH-IMPACT ABS (RATED UL94-V0)
COLOR: LIGHT GRAY

ALL DIMENSIONS HAVE ±0.015 TOLERANCE
FOUR (4) M3 x 1.173 LG. SCREWS
SUPPLIED FOR ASSEMBLY



NOTE: MOUNTING BOSSES USE
#4 x 1/4 LG. SCREWS
(NOT SUPPLIED)



Mouser Electronics

Authorized Distributor

Click to View Pricing, Inventory, Delivery & Lifecycle Information:

[Bud Industries:](#)

[HH-3401-BC](#)