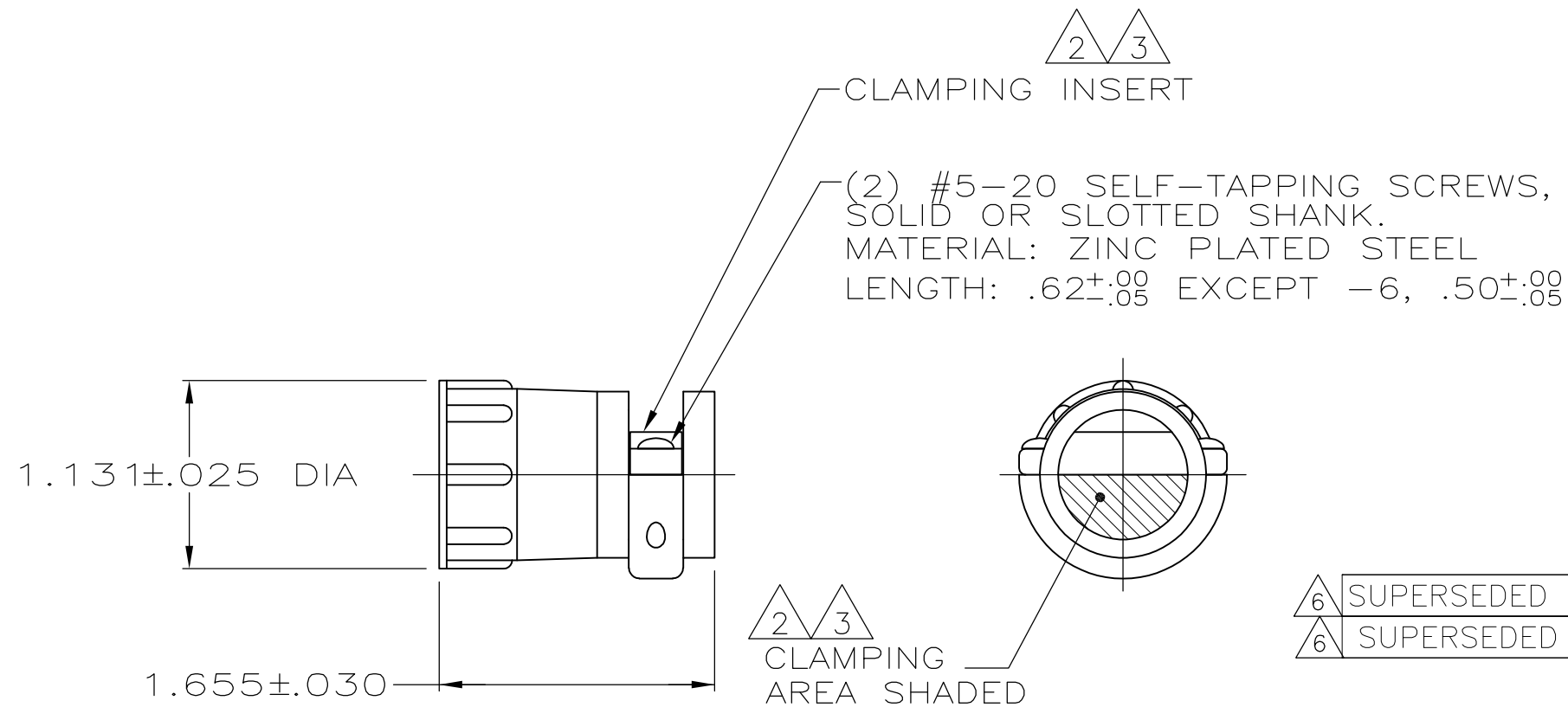


THIS DRAWING IS UNPUBLISHED. RELEASED FOR PUBLICATION
 © COPYRIGHT - By - ALL RIGHTS RESERVED.

| LOC | DIST | REVISIONS | | | |
|-----|------|-------------|---------------------------|---------|--------|
| P | LTR | DESCRIPTION | DATE | DWN | APVD |
| FT | 0 | P3 | REVISED PER ECO-11-004587 | 11MAR11 | RK HMR |

- 1 PARTS PACKAGED UNASSEMBLED.
- △2 CABLE CLAMPING AREA ADJUSTABLE FROM .100 TO .410 SQ IN BY REVERSING CLAMPING INSERTS. (2 INSERTS SUPPLIED, -1 AND -2 ONLY)
- △3 CABLE CLAMPING AREA ADJUSTABLE FROM .100 TO .410 SQ IN BY CHANGING CLAMPING INSERTS. (4 INSERTS SUPPLIED, -4 ONLY)
- 4 .703 MAXIMUM CABLE OUTSIDE DIAMETER.
- △5 BULK PACKAGED KITS TO BE ORDERED IN MULTIPLES OF 100 ONLY.
- △6 NON-HEXAVALENT CHROMATE FINISH.
- △7 OBSOLETE PARTS: OBSOLETE CIS STREAMLINING PER D.RENAUD/D.SINISI



| △6 | △5 | PACKAGING | PART NUMBER |
|----|--------------------------|------------|-------------|
| △6 | INDIVIDUAL | | 1-206322-1 |
| △6 | △5 BULK | | 1-206322-0 |
| △6 | INDIVIDUAL | | 206322-9 |
| △6 | △7 OBSOLETE | SMALL PACK | 206322-8 |
| △6 | △7 OBSOLETE | INDIVIDUAL | 206322-7 |
| △6 | △5 BULK | | 206322-6 |
| △7 | △6 OBSOLETE | SMALL PACK | 206322-5 |
| △6 | OBSOLETE | INDIVIDUAL | 206322-4 |
| △6 | SUPERSEDED BY 1-206322-0 | △5 BULK | 206322-2 |
| △6 | SUPERSEDED BY 206322-9 | INDIVIDUAL | 206322-1 |

| | | | | | | | | | | | | | | | | |
|------------------------------------------------------------------------------------------------------------------------------------------------------------------------------------------------------------------------------------------------------|-----|------------------------------|----------------------------------------------------|--------------------|-----|-------|-----|-------|-----|-------|-----|--------|-----|---------------------------|------------|--|
| THIS DRAWING IS A CONTROLLED DOCUMENT. | | DWN A GRAFF 4/23/91 | STE TE Connectivity | | | | | | | | | | | | | |
| DIMENSIONS: INCHES | | CHK W.G.LENKER 7-22-92 | | | | | | | | | | | | | | |
| TOLERANCES UNLESS OTHERWISE SPECIFIED: | | APVD - | NAME CABLE CLAMP KIT, LARGE, SHELL SIZE 17, CPC | | | | | | | | | | | | | |
| <table border="0"> <tr><td>0 PLC</td><td>± -</td></tr> <tr><td>1 PLC</td><td>± -</td></tr> <tr><td>2 PLC</td><td>± -</td></tr> <tr><td>3 PLC</td><td>± -</td></tr> <tr><td>4 PLC</td><td>± -</td></tr> <tr><td>ANGLES</td><td>± -</td></tr> </table> | | 0 PLC | ± - | 1 PLC | ± - | 2 PLC | ± - | 3 PLC | ± - | 4 PLC | ± - | ANGLES | ± - | PRODUCT SPEC 108-10024 | SIZE A3 | |
| 0 PLC | ± - | | | | | | | | | | | | | | | |
| 1 PLC | ± - | | | | | | | | | | | | | | | |
| 2 PLC | ± - | | | | | | | | | | | | | | | |
| 3 PLC | ± - | | | | | | | | | | | | | | | |
| 4 PLC | ± - | | | | | | | | | | | | | | | |
| ANGLES | ± - | | | | | | | | | | | | | | | |
| MATERIAL THERMOPLASTIC | | FINISH - | APVD - | CAGE CODE 00779 | | | | | | | | | | | | |
| | | WEIGHT - | DRAWING NO C-206322 | RESTRICTED TO - | | | | | | | | | | | | |
| CUSTOMER DRAWING | | | SCALE NTS | SHEET 1 OF 1 | | | | | | | | | | | | |
| | | | REV P3 | | | | | | | | | | | | | |

Mouser Electronics

Authorized Distributor

Click to View Pricing, Inventory, Delivery & Lifecycle Information:

[TE Connectivity:](#)

[1-206322-1](#)