

1

2

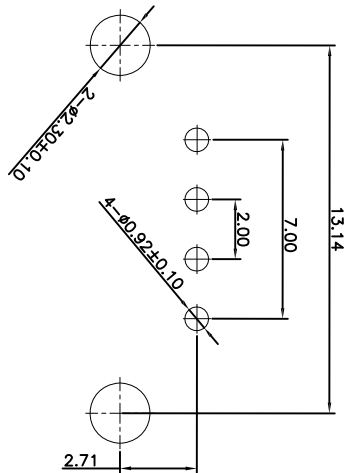
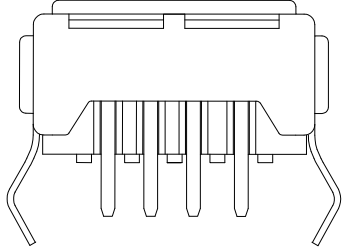
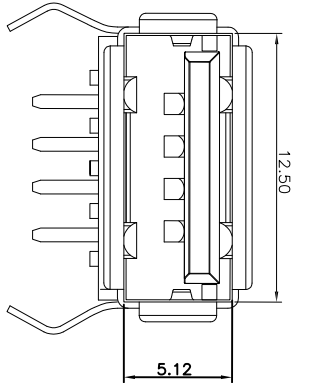
3

4

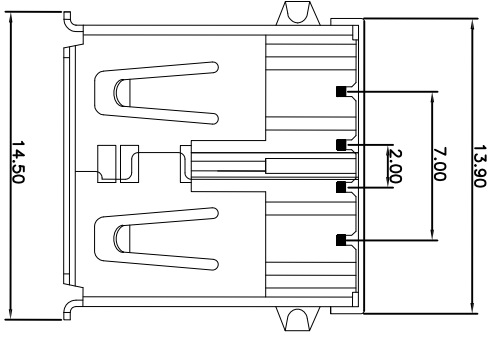
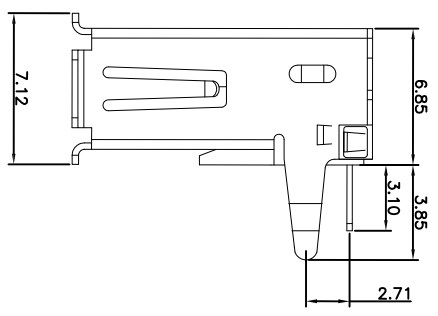
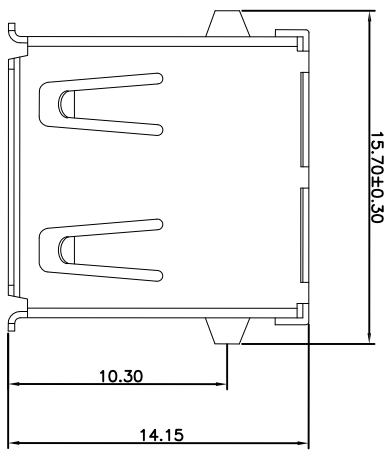
5

6

7



NOTE:  
 MATERIAL: PBT+30% G.F. UL 94V-0  
 HOUSING:PHOSPHOR BRONZE  
 CONTACT:PHOSPHOR BRONZE  
 SHELL:BRASS  
 PLATING:  
 CONTACT: GOLD 30u"AU AND TIN OVER NICKEL PLATED  
 SHELL: NICKEL PLATED OVER ALL SPECIFICATION:  
 CURRENT-MAX[AMPS]:1.5A  
 VOLTAGE-MAX[VOLTS]:30V  
 WITHSTANDING VOLTAGE: 500V AC  
 CONTACT RESISTANCE[OHMS]:30 milliohms max  
 INSULATION RESISTANCE[OHMS]: 1000 MEGOHMS MIN  
 ENVIRONMENTAL TEMPERATURE RANGE -55°C~+85°C



**RoHS compliant**

Scale	Free				
TOLERANCE					
.X	±0.38				
.XX	±0.25				
.XXX	±0.13				
DIM	TOL	①	Add the waving soldering temperature	20.07.2017	Winnie
X. °	±5°	②	Update	03.02.2018	Tom
Angle	TOL	③	Drawn	14.07.2014	Winnie
UNIT	mm	Id.	Modification	Date	Name

Date	Name
Drawn 14.07.2014	Winnie
Approved 03.02.2018	Tom



Customer-No.	Drawing-No.	Replace	SHEET
ASSMANN WSW-No.	AU-Y1005-2	ASS 6506 CO	rev02

	1	2	3	4	5	6	7	
A								A
B								B
C								C
D								D
E								E
F								F
G								G
H	1	2	3	4	5	6	7	H