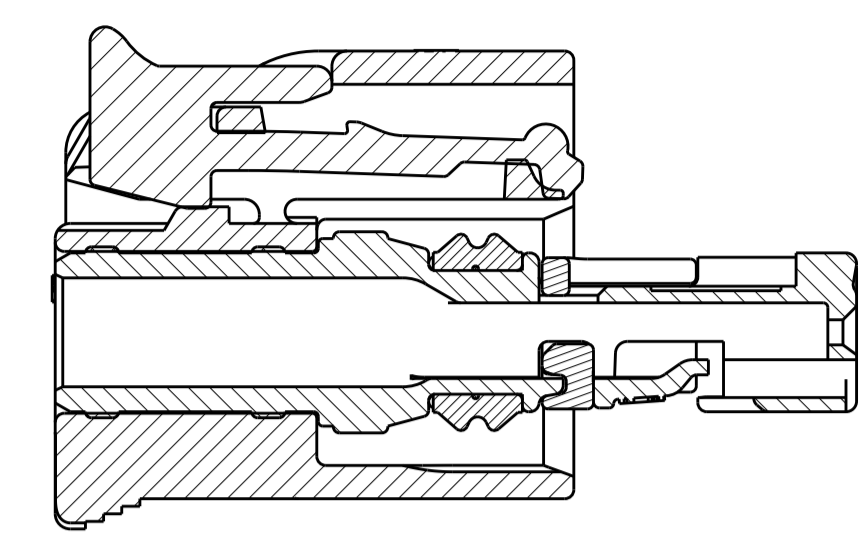
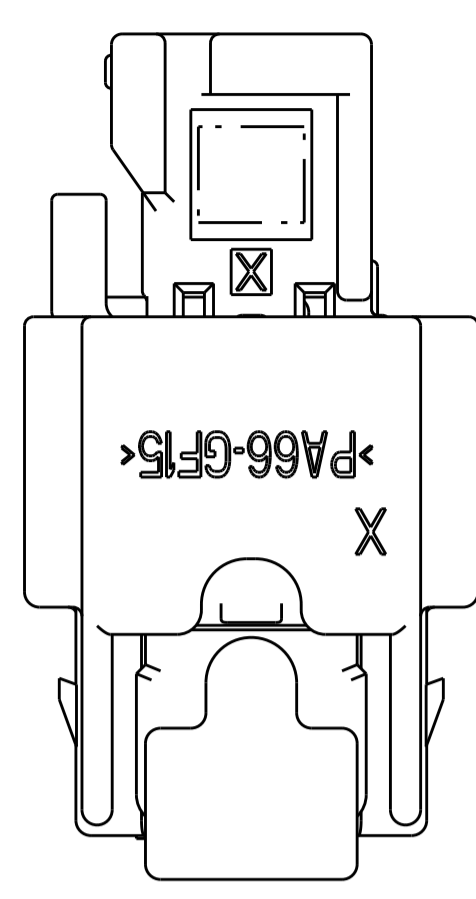
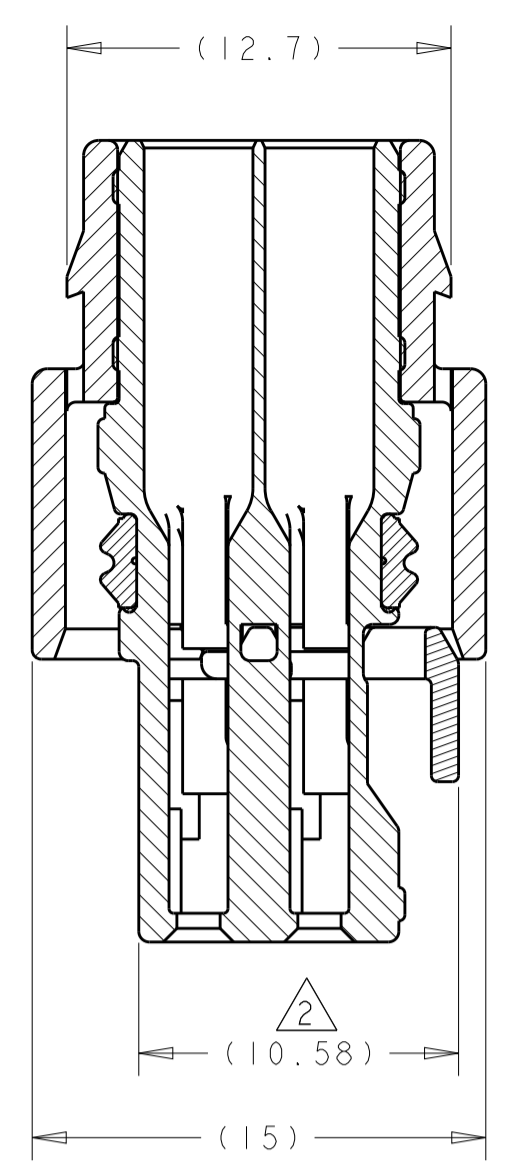


REVISIONS				
P.	LTN.	DESCRIPTION	DATE	OWN. APVD.
B5		REVISED PER ECO-12-019932	13NOV2012	DLD SLM
B6		REVISED PER ECO-14-014610	26SEP2014	DLD SLM

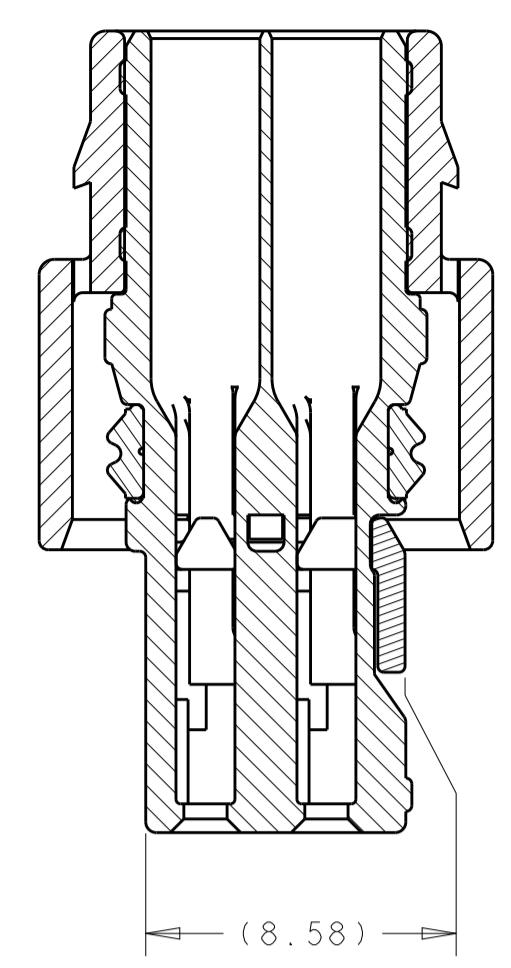
- PART NUMBER 1-1924067-9 SHOWN ON DRAWING.
- TPA AND CPA (WHEN APPLICABLE) ARE SHIPPED IN THEIR PRE-LATCHED POSITIONS. SEE INSTRUCTION SHEET 408-8968 FOR DIRECTIONS ON MOVING THE CPA AND TPA TO THE PRE-LATCHED POSITION, IF NECESSARY.
- TERMINALS SOLD SEPARATELY. FOR USE WITH TE MCON 1.2mm CLEAN BODY CONTACT WITH WIRE SEAL. SEE TE MCON 1.2-CB (CLEAN BODY) TABLE FOR APPLICABLE PART NUMBERS.
- APPLICABLE HEADER INTERFACE DRAWING 114-18679-3 IS AVAILABLE UPON REQUEST. A COPY OF THIS DRAWING CAN BE OBTAINED FROM THE TYCO ELECTRONICS PRODUCT MANAGER, VIA YOUR TE CONNECTIVITY SALES REPRESENTATIVE OR CUSTOMER SERVICE.
- MINIMUM FEED THROUGH CONDITION WITH 1.0mm CLEARANCE ALL AROUND.
- TRACEABILITY PRINTED IN THIS LOCATION AT ASSEMBLY.
- NOTE LEFT BLANK INTENTIONALLY.
- PART NUMBERS 1924067-7, -8, 1-7, 1-8 INNER HOUSING ARE ASSEMBLED 180°.
- PROTOTYPE ASSEMBLIES USE GERMAN OUTER HOUSING P/N: 1718648-1, CPA P/N: 1670193-1 AND SEAL P/N: 1718650-1.
- NOTE DELETED
- TPA ENGAGE FORCE: PRESET TO FULL  $\geq 2$  N AND  $\leq 60$  N.
- TPA DISENGAGE FORCE: DISENGAGE FROM FULL TO PRESET  $\geq 2$  N AND  $\leq 60$  N.
- CPA ENGAGE FORCE: PRESET TO FULL WITHOUT CONNECTORS MATED  $\geq 40$  N.
- CPA ENGAGE FORCE: PRESET TO FULL WITH CONNECTORS MATED  $< 30$  N.
- POLARIZATION FEATURE EFFECTIVENESS:  
CONNECTOR MATED TURNED 180° NO MATING  $> 125$  N.  
WRONG KEYING NO MATING  $> 125$  N.
- VALIDATED UP TO USCAR TEMPERATURE CLASS III.
- SEE INSTRUCTION SHEET 408-8928.
- REFERENCE SHEET 2 FOR ISOMETRIC VIEWS.
- TERMINAL 1670146-x REPLACES 1418847-x



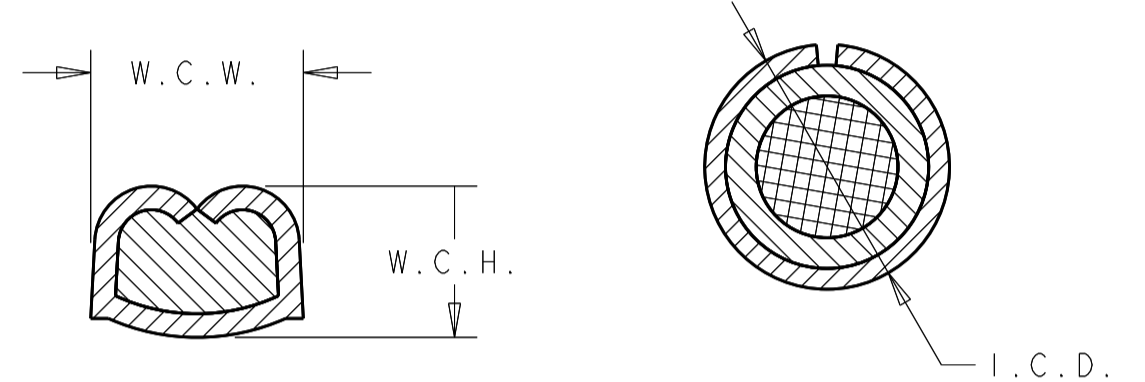
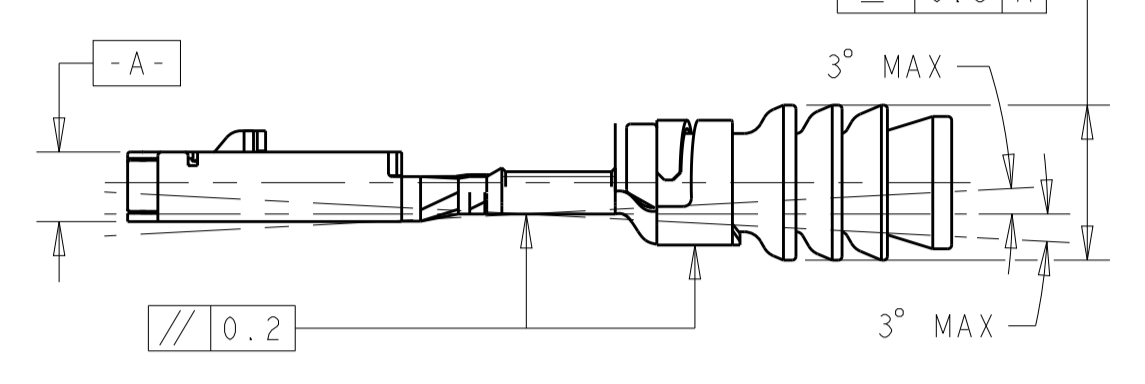
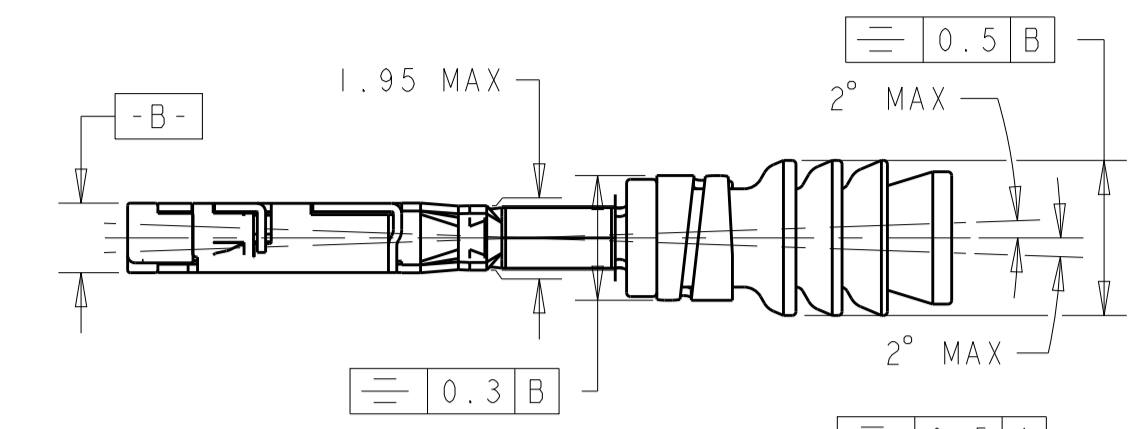
SECTION B-B  
 SHOWN WITH CPA (WHEN APPLICABLE)  
 IN IT'S LATCHED POSITION  
 FOR REFERENCE ONLY



SECTION A-A

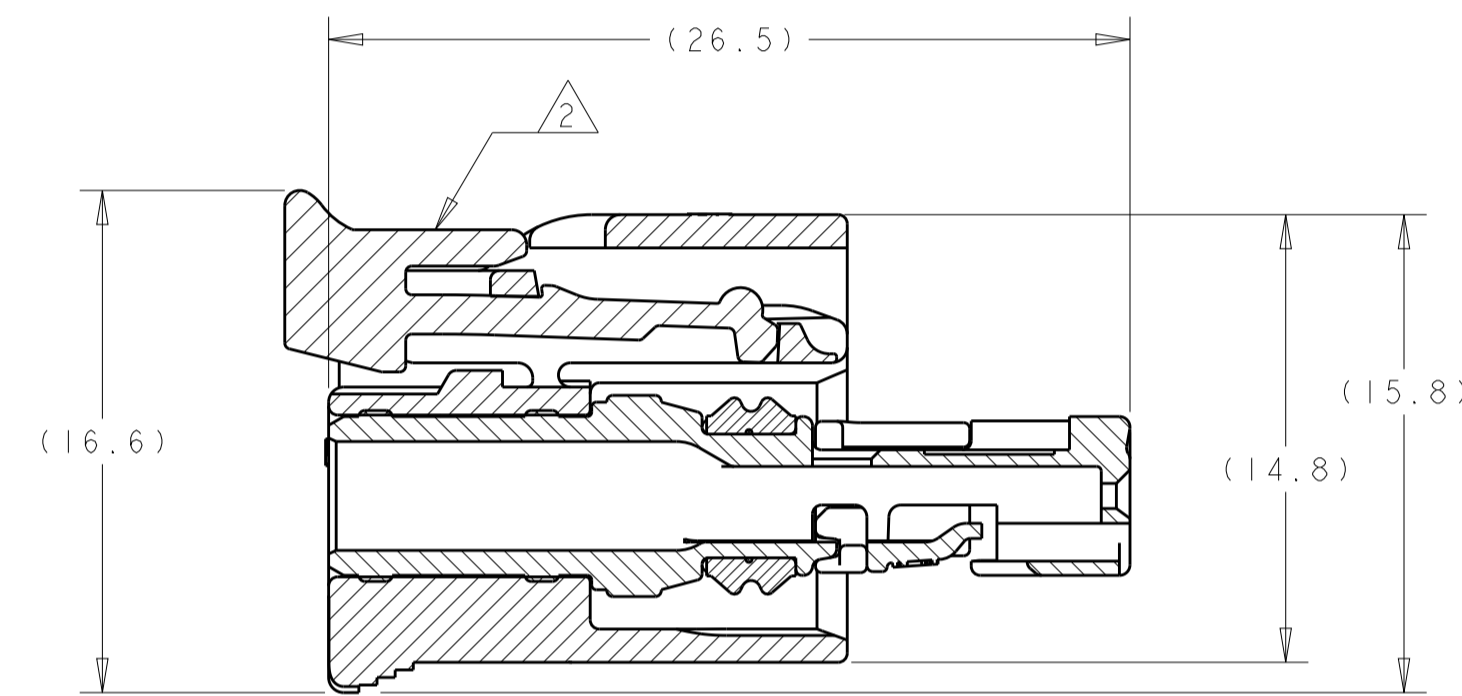


SECTION A-A  
 SHOWN WITH TPA  
 IN IT'S LATCHED POSITION  
 FOR REFERENCE ONLY

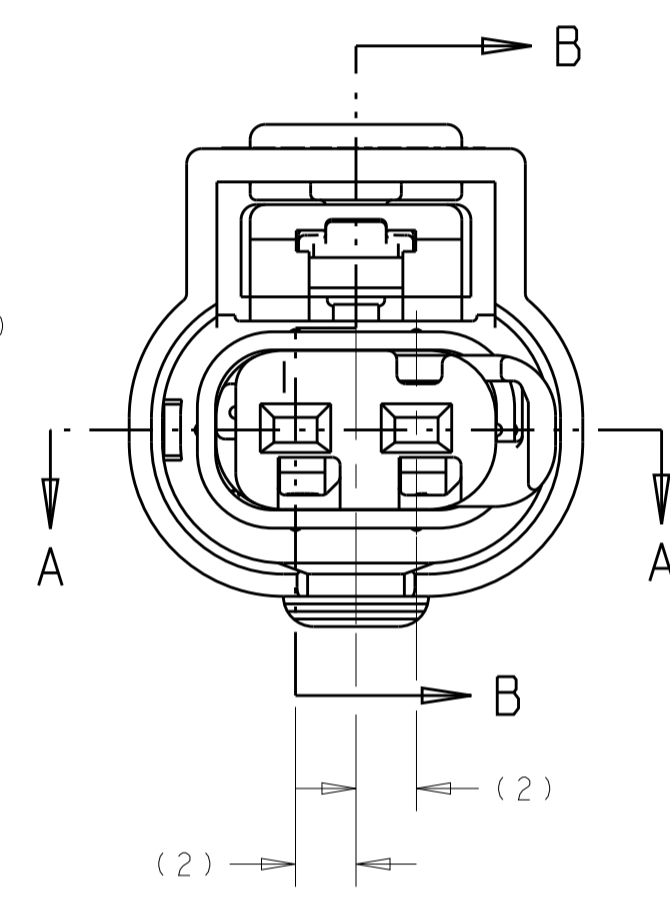


WIRE CRIMP DIMENSIONS

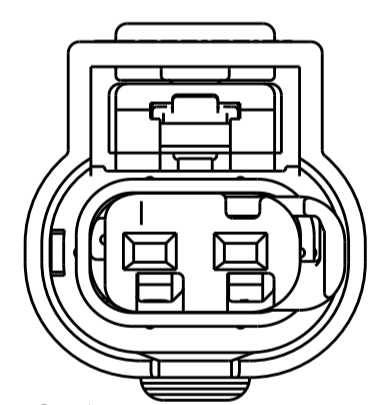
INSULATION CRIMP DIMENSIONS



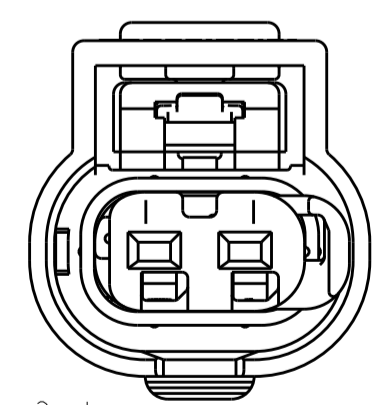
SECTION B-B



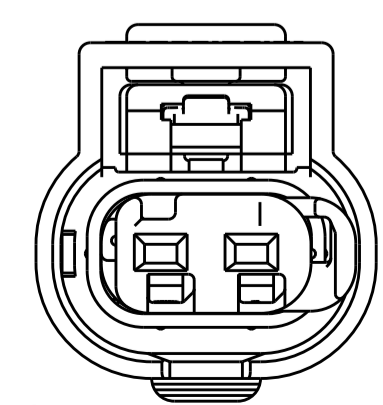
KEYING CONFIGURATIONS



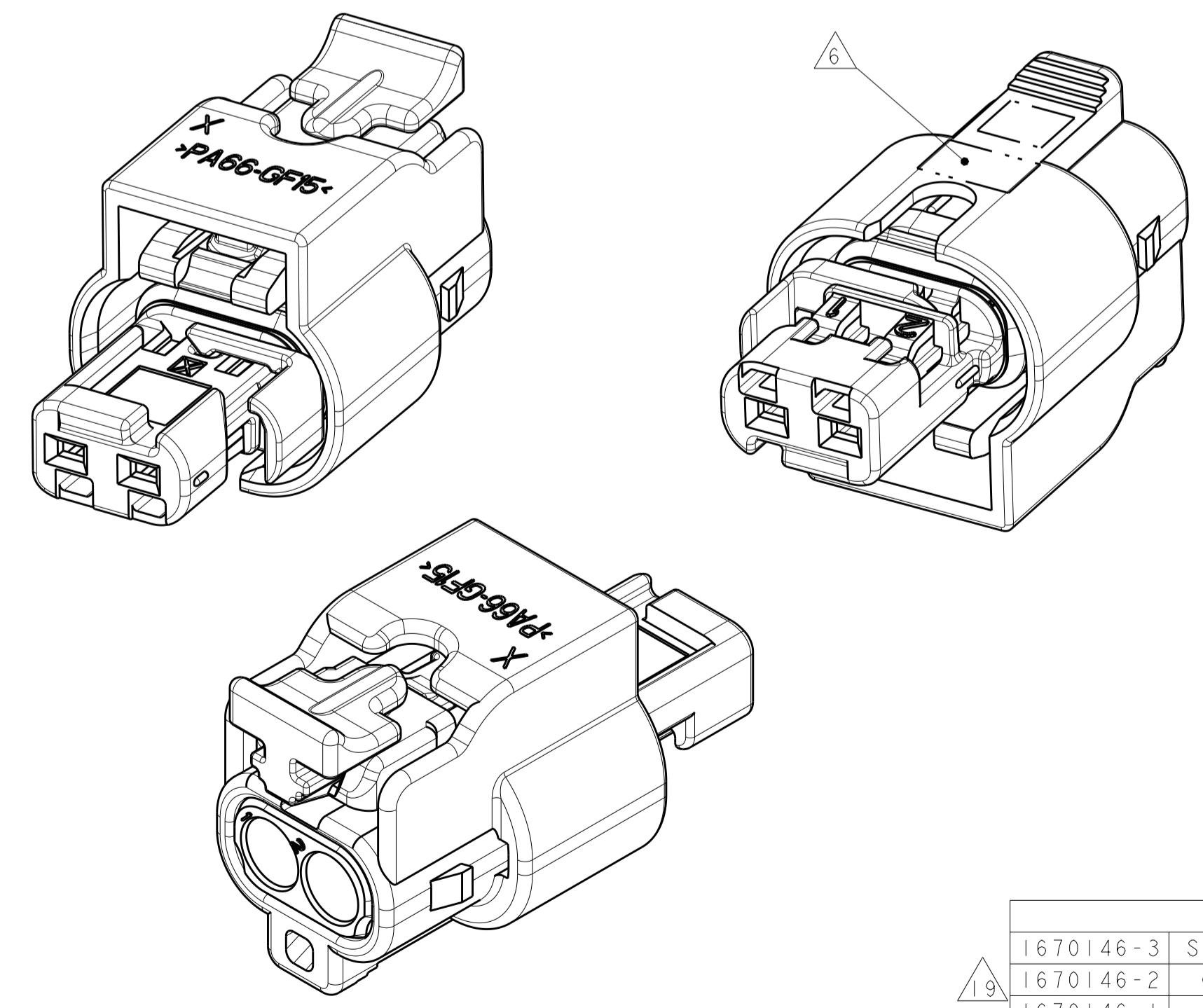
SCALE 3:1  
 KEYING OPTION A



SCALE 3:1  
 KEYING OPTION B



SCALE 3:1  
 KEYING OPTION C



ISOMETRIC VIEWS  
 1-1924067-9

TE MCON 1.2-CB (CLEAN BODY)								
1670146-3	SILVER	3.6 ± 0.3	20	1.4 TO 1.9	0.84 ± 0.03	1.57 ± 0.05	3.25 ± 0.05	967067-1
1670146-2	GOLD							
1670146-1	TIN							
1418850-3	SILVER	3.6 ± 0.3	18 TO 16	1.9 TO 2.4	1.11 ± 0.05	1.78 ± 0.05	3.35 ± 0.05	964972-1
1418850-2	GOLD							
1418850-1	TIN							
PART NUMBER	PLATING	WIRE STRIP LENGTH	AWG	INSL. RANGE	W.C.H.	W.C.W.	I.C.D.	WIRE SEAL PART NUMBER

RELEASED	RED	2138907-1	BLUE	C	4-1924067-3
RELEASED	RED	2138907-1	NATURAL	B	4-1924067-2
RELEASED	RED	2138907-1	BLACK	A	4-1924067-1
RELEASED	VIOLET	1989913-2	BLUE	C	2-1924067-1
RELEASED	VIOLET	1989913-2	NATURAL	B	2-1924067-0
RELEASED	VIOLET	1989913-2	BLACK	A	1-1924067-9
RELEASED	RED	1488787-1	BLACK	A	1-1924067-8
RELEASED	-	-	BLACK	A	1-1924067-7
RELEASED	RED	1488787-1	BLUE	C	1-1924067-6
RELEASED	RED	1488787-1	NATURAL	B	1-1924067-5
RELEASED	RED	1488787-1	BLACK	A	1-1924067-4
RELEASED	-	-	BLUE	C	1-1924067-3
RELEASED	-	-	NATURAL	B	1-1924067-2
RELEASED	-	-	BLACK	A	1-1924067-1

STATUS	COLOR	PART NO	COLOR	KEY	PART NUMBER
OBSOLETE					1924067-8
OBSOLETE					1924067-7
OBSOLETE					1924067-6
OBSOLETE					1924067-5
OBSOLETE					1924067-4
OBSOLETE					1924067-3
OBSOLETE					1924067-2
OBSOLETE					1924067-1

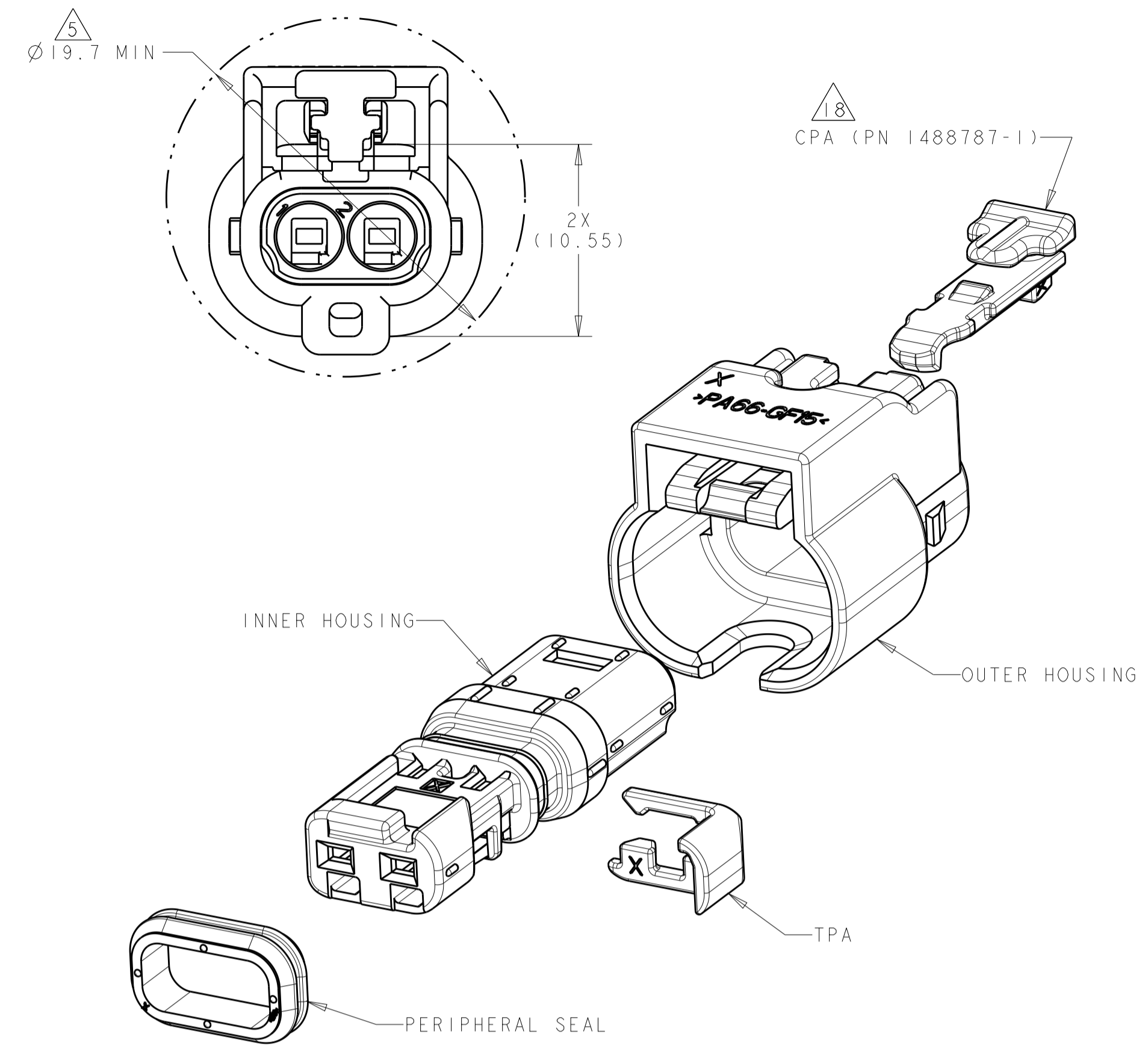
THIS DRAWING IS A CONTROLLED DOCUMENT.

OWN: M. FORISKA 25SEP2006  
 CHK: G. MARTIN 25SEP2006  
 APVD: G. MARTIN 25SEP2006

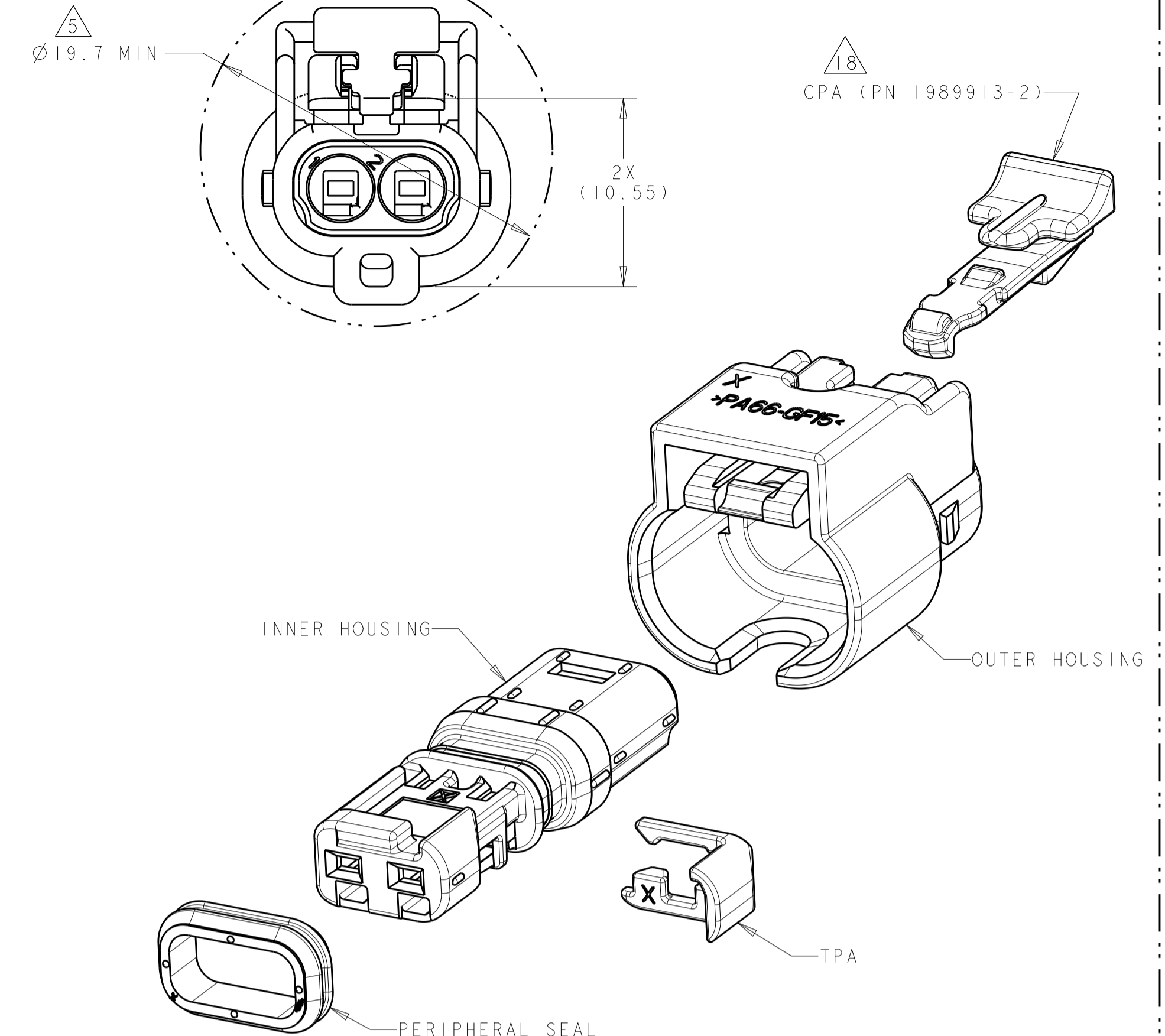
TE Connectivity

CONNECTOR ASSEMBLY, FEMALE, 2 POSITION SEALED, 1.2mm STANDARD LATCH VERSION

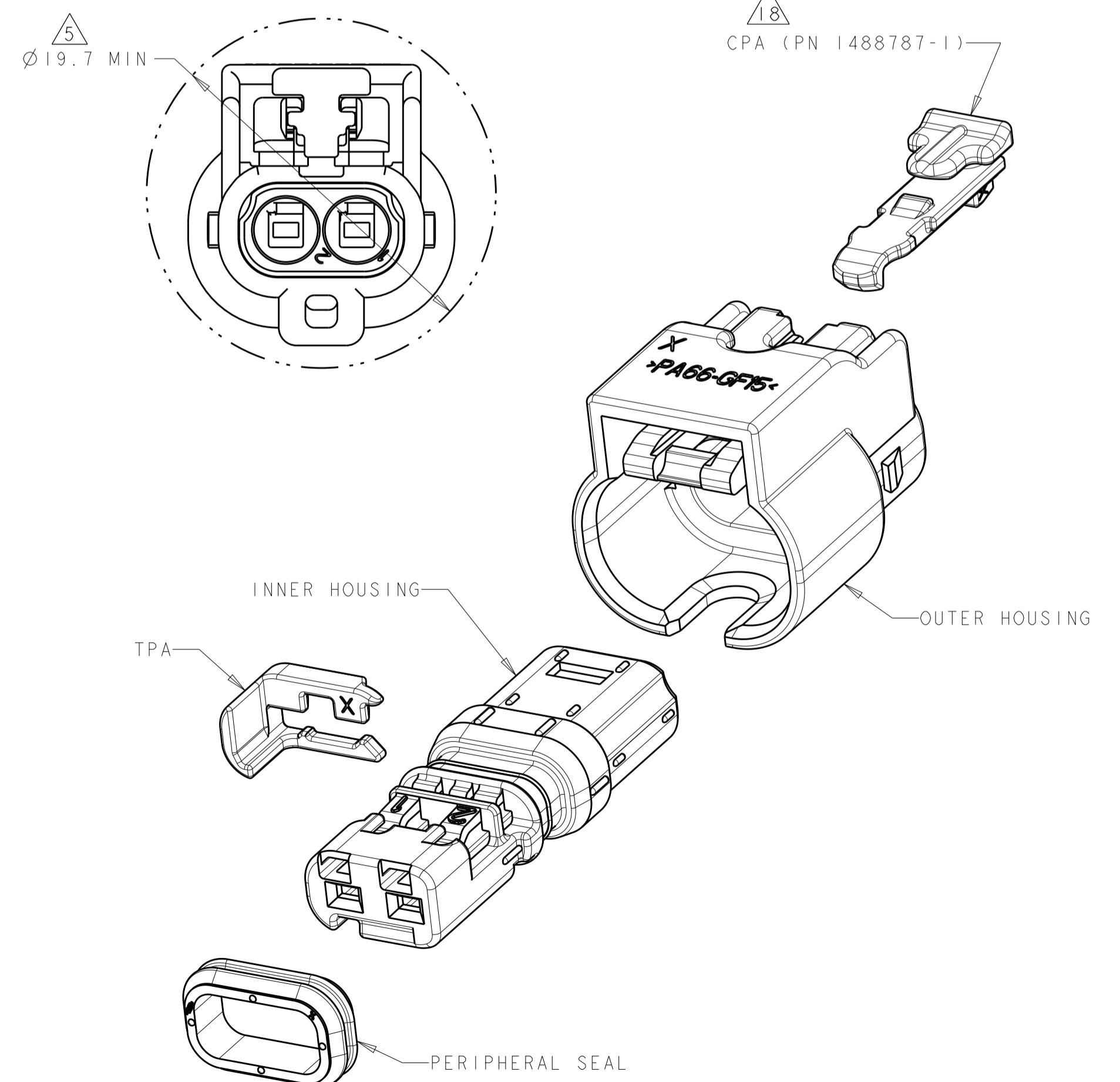
SCALE 4:1 SHEET 1 OF 2 REV B6



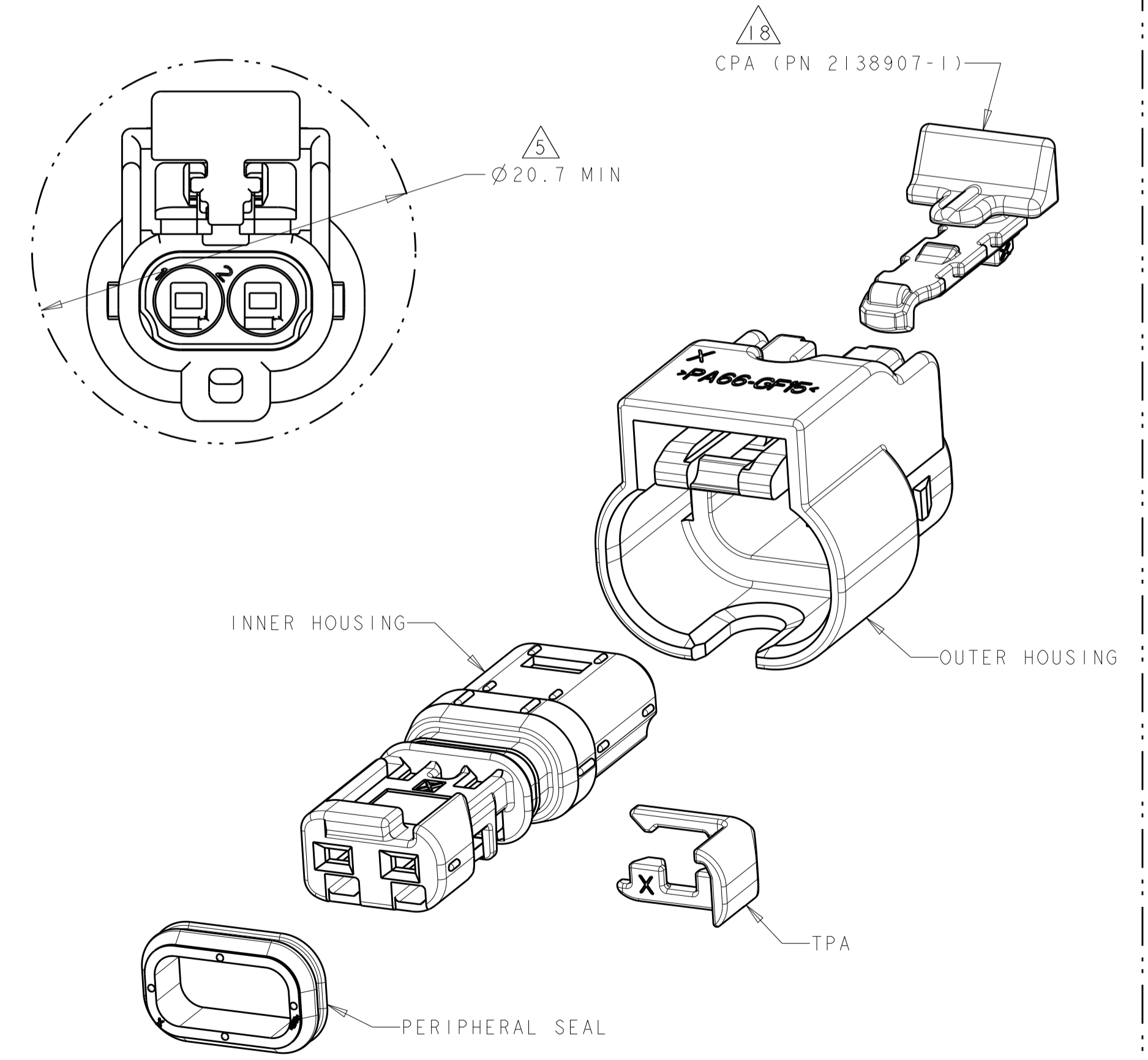
**1-1924067-4**  
EXPLODED ISOMETRIC VIEW



**1-1924067-9**  
EXPLODED ISOMETRIC VIEW



**1-1924067-8**  
EXPLODED ISOMETRIC VIEW



**4-1924067-1**  
EXPLODED ISOMETRIC VIEW

REVISIONS				
P.	LTN	DESCRIPTION	DATE	APVD
-	-	SEE SHEET 1	-	-

THIS DRAWING IS A CONTROLLED DOCUMENT.		OWN: M. FORISKA 25SEP2006	TE Connectivity
DIMENSIONS: mm		CHK: G. MARTIN 25SEP2006	
TOLERANCES UNLESS OTHERWISE SPECIFIED:		APVD: G. MARTIN 25SEP2006	NAME: CONNECTOR ASSEMBLY, FEMALE, 2 POSITION SEALED, 1.2mm STANDARD LATCH VERSION
0 PLC	±	PRODUCT SPEC	RESTRICTED TO
1 PLC	±0.3	APPLICATION SPEC	SIZE: A100779
2 PLC	±0.10	WEIGHT: 2.07g	CAGE CODE: 1924067
3 PLC	±	CUSTOMER DRAWING	SCALE: 4:1
4 PLC	±		SHEET: 2 OF 2
ANGLES	±1°		REV: B6
MATERIAL: SEE TABLE	FINISH: -		

# Mouser Electronics

Authorized Distributor

Click to View Pricing, Inventory, Delivery & Lifecycle Information:

[TE Connectivity:](#)

[1-1924067-4](#)