

Temperature Compensated Crystal Oscillators (TCXO) Surface Mount Type TCXO (LSI Type) KT2520 Series for GPS



2.5×2.0mm



RoHS Compliant

Features

- Miniature SMD type (2.5×2.0×0.8mm)
- Freq. temp. characteristics. : $\pm 0.5 \times 10^{-6}$ / -30 to +85°C
- 1.68 to 3.6V drive available
- Reflow compatible
- Temperature sensor output (Option)
- Disable Function (Option)
- Lower Operating Temp. -40°C (Option)
- AFC Function (Option)

Applications

- GPS Units

How to Order

KT2520F 26000 A C W 18 T xx
① ② ③ ④ ⑤ ⑥ ⑦ ⑧

① Series	⑥ Supply Voltage
② Output Frequency	18 1.8V 28 2.8V
③ Freq. Temp. Chrst.	⑦ Voltage Control Range
A $\pm 0.5 \times 10^{-6}$	T TCXO
④ Lower Operating Temp.	⑧ Option Code
C -30°C	
E -20°C	
G -10°C	
⑤ Upper Operating Temp.	
W +85°C	
V +80°C	
U +75°C	

Packaging (Tape & Reel 3000 pcs./ reel)

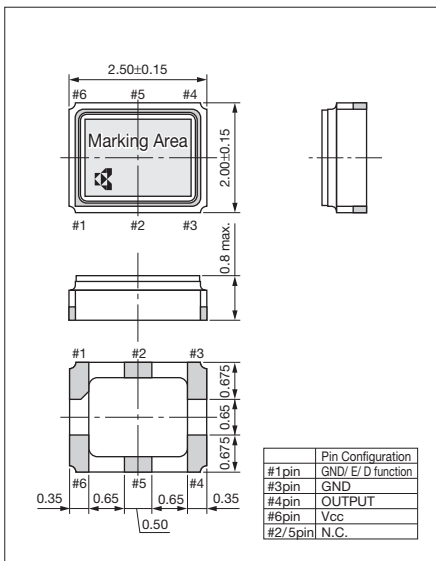
Specifications

Item	Symbol	Conditions	Min.	Max.	Units
Output Frequency Range	fo	Standard Frequency: 16.368, 16.369, 19.2, 23.104, 26, 27.456, 33.6, 38.4	13	52	MHz
Frequency Tolerance	f _{tol}	vs Temperature	-0.5	+0.5	×10 ⁻⁶
		vs Load	-0.1	+0.1	
		vs Voltage	-0.2	+0.2	
Frequency Aging	f _{age}	Per Year	-1	+1	×10 ⁻⁶
Storage Temperature Range	T _{stg}		-40	+85	°C
Operating Temperature Range	T _{use}		-30	+85	°C
Supply Voltage	V _{cc}		1.68	3.6	V
Output Level	V _{pp}	Clipped Sine*, Load: 10k ohm // 10pF	0.8	—	Vp-p
Current Consumption	I _{cc}		—	2	mA
Harmonics	—		—	-5	dBc

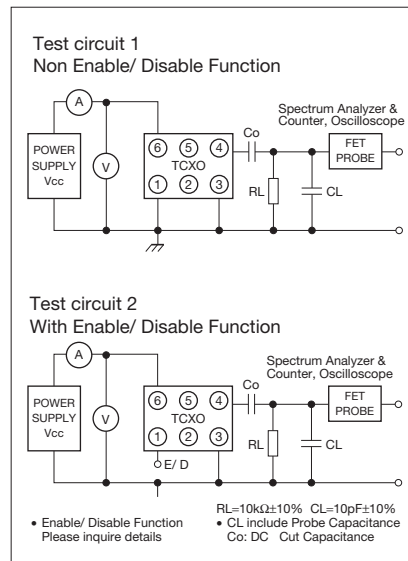
* : A DC-cut capacitor is not embedded in this crystal oscillator. Connect a DC-cut capacitor (≥ 1 nF) to the line-out terminal of the oscillator. Please contact us for other specifications.

Dimensions

(Unit: mm)

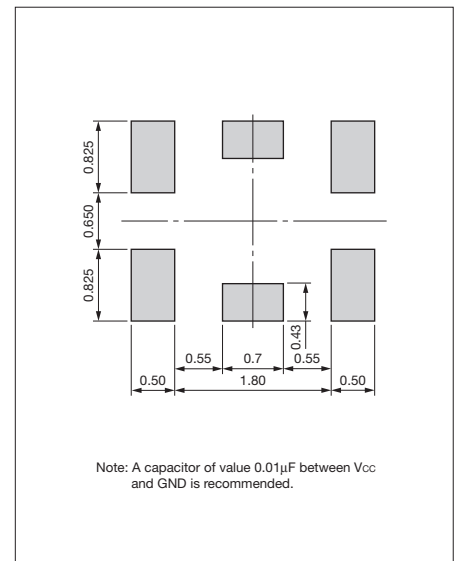


Test Circuit



Recommended Land Pattern

(Unit: mm)



Mouser Electronics

Authorized Distributor

Click to View Pricing, Inventory, Delivery & Lifecycle Information:

[Kyocera:](#)

[KT3225F16367ACW30TA0](#)