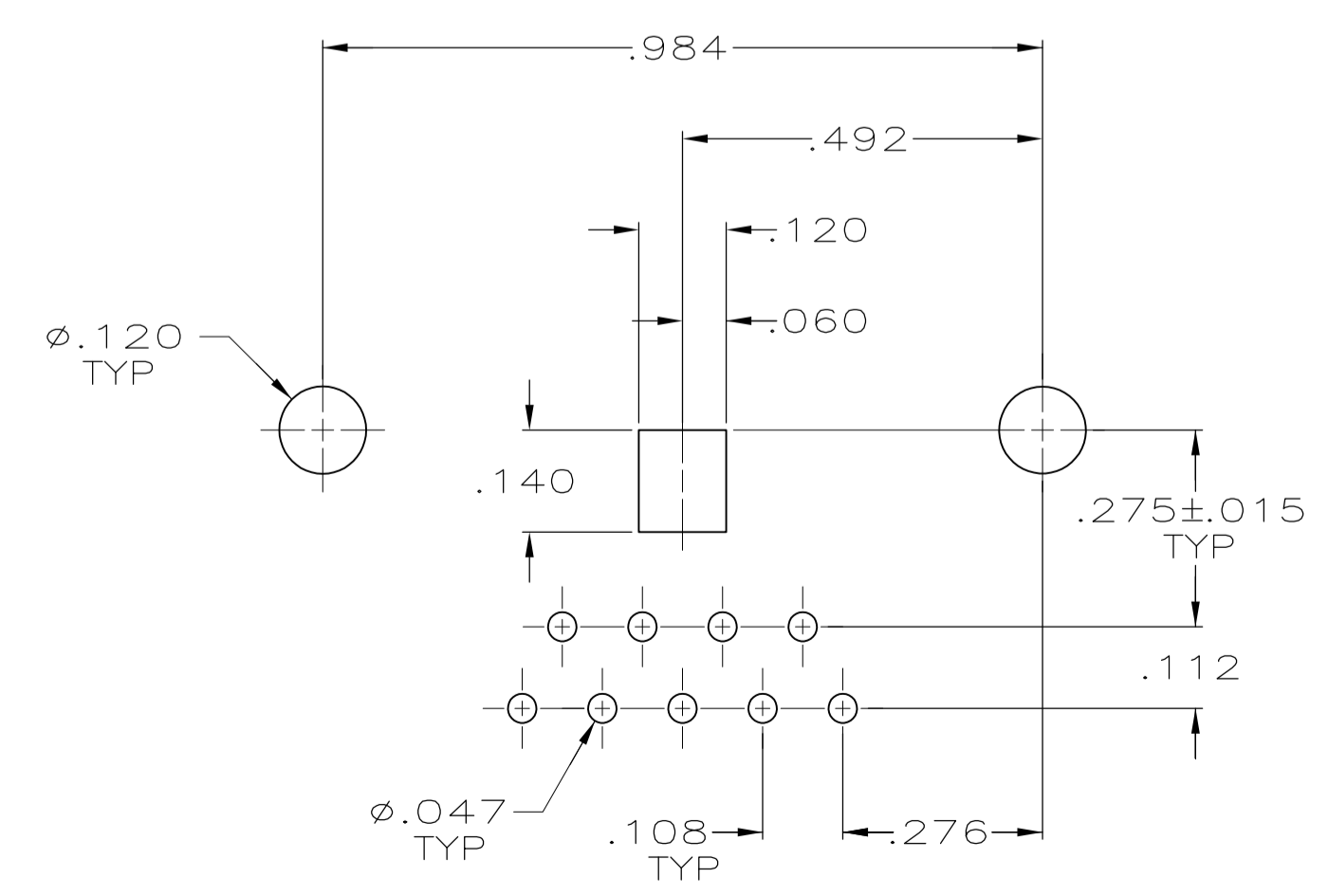
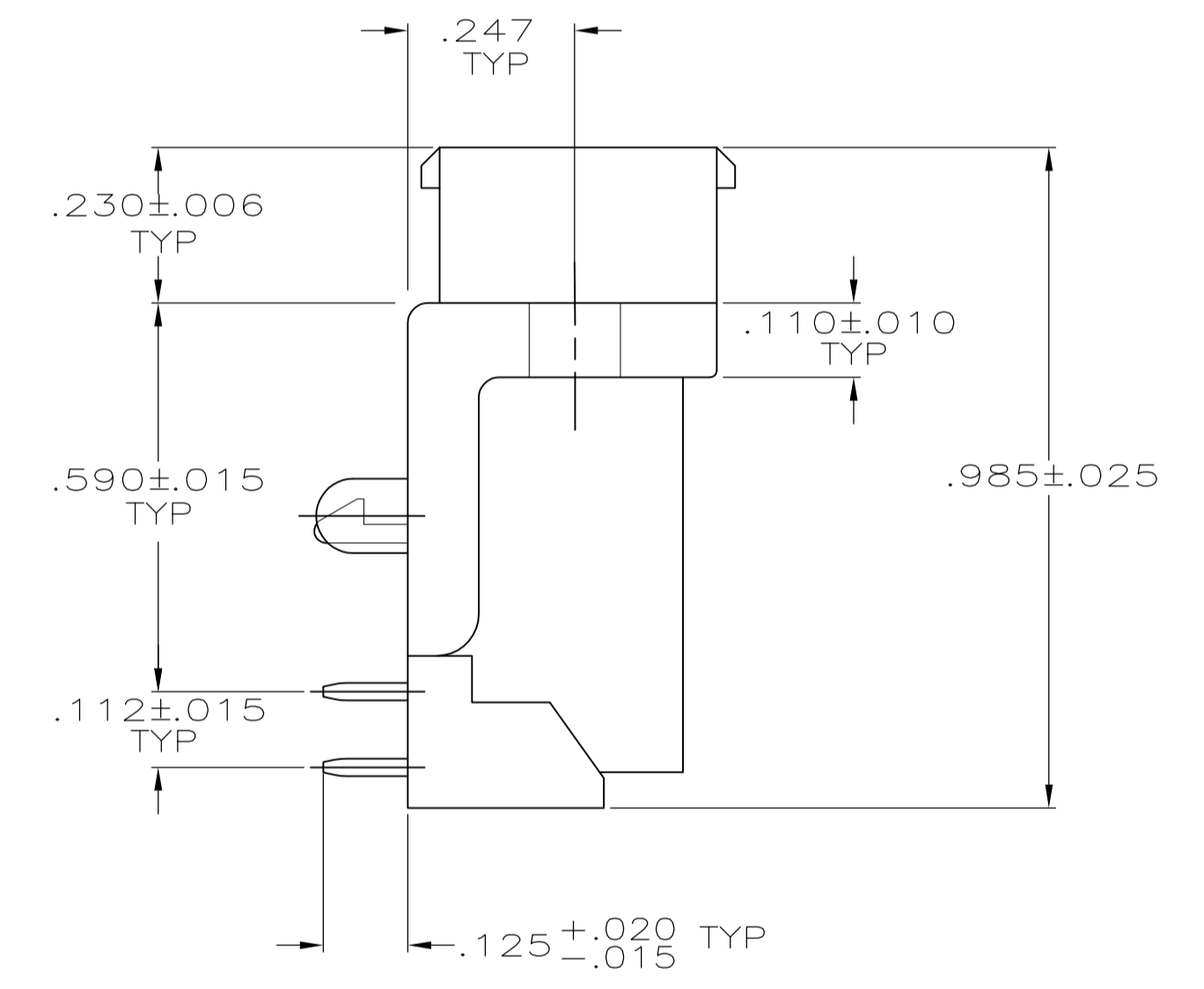
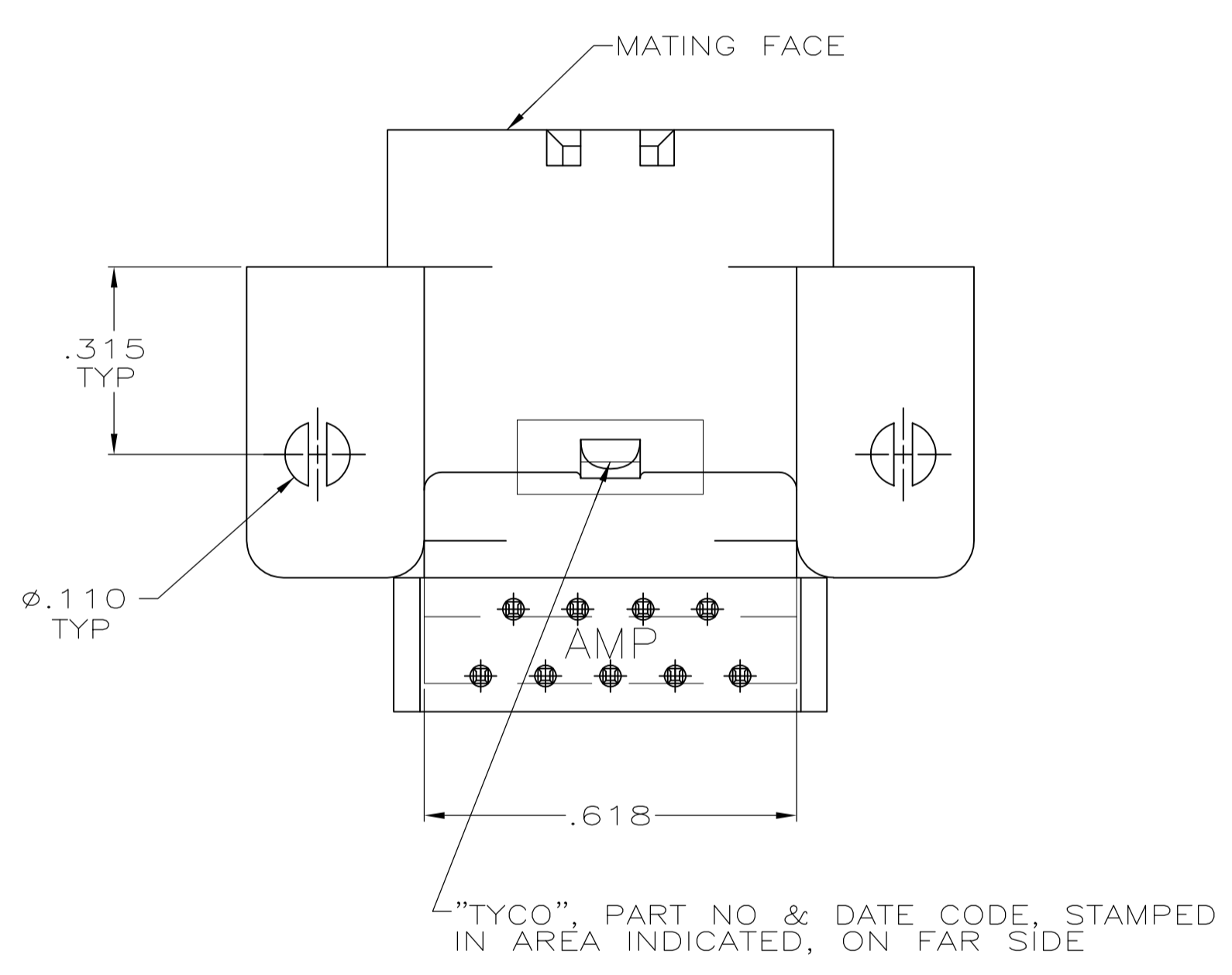
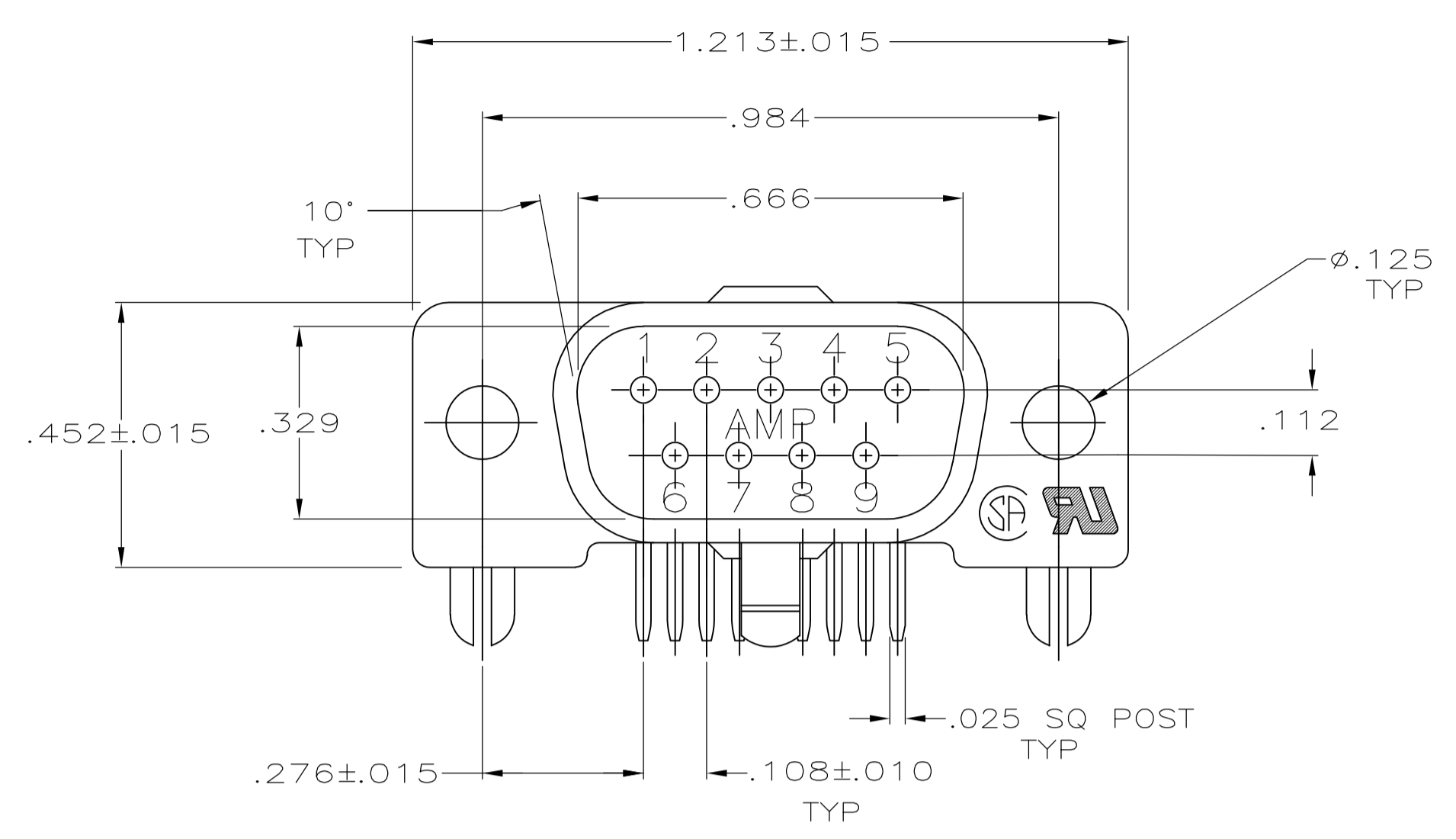


LOC		DIST		REVISIONS			
REV	DATE	BY	APP'D	DESCRIPTION	DATE	BY	APP'D
B				REVISED PER ECO-14-007966	04JUN2014	CJV	SLB



P.C. BOARD MOUNTING DIMENSIONS  
(PUNCH FROM CONNECTOR SIDE ONLY)  
.062 PC BOARD THICKNESS

- ⚠ HOUSING: FLAME RETARDANT 94V-2 RATED NYLON, COLOR BLACK.  
CONTACTS: BRASS
- ⚠ GOLD PLATED FOR A LENGTH OF .150 MIN FROM MATING END, .000030 MIN GOLD IN MATED AREA, .000100 MIN TIN ON OPPOSITE END, BOTH OVER .000050 MIN NICKEL.  
-OR-  
GOLD FLASH OVER .000030 PALLADIUM NICKEL PLATED FOR LENGTH OF .150 MIN FROM MATING END, .000030 MIN PALLADIUM NICKEL IN MATED AREA, .000100 MIN TIN ON OPPOSITE END, BOTH OVER .000050 MIN NICKEL.
- ⚠ GOLD PLATED FOR LENGTH OF .150 MIN FROM MATING END, GOLD FLASH IN MATED AREA, .000100 MIN TIN ON OPPOSITE END, BOTH OVER .000050 MIN NICKEL.

⚠	5745001-3
⚠	5745001-2
CONTACT FINISH	PART NUMBER

THIS DRAWING IS A CONTROLLED DOCUMENT.		DIN S. WAITMAN 19APROS		NAME	
DIMENSIONS: INCHES		CHK J. GERACE 19APROS		M. WALSLEY 19APROS	
TOLERANCES UNLESS OTHERWISE SPECIFIED:		APPROD M. WALSLEY 19APROS		PRODUCT SPEC	
0. PLC ± -		NAME		PLUG ASSEMBLY, SIZE 1, 9 POS, RIGHT ANGLE, .590 SERIES, .025 SQ POSTS, PANEL LOCKS, AMPLIMITE HDJ	
1. PLC ± -		APPLICATION SPEC		108-40025	
2. PLC ± -		SIZE		A1	
3. PLC ± .005		CAGE CODE		00779	
4. PLC ± -		DRAWING NO		5745001	
ANGLES ± -		WEIGHT		-	
FINISH SEE TABLE		CUSTOMER DRAWING		SCALE 4:1 SHEET 1 OF 1 REV B	

# Mouser Electronics

Authorized Distributor

Click to View Pricing, Inventory, Delivery & Lifecycle Information:

[TE Connectivity:](#)

[5745001-3](#)