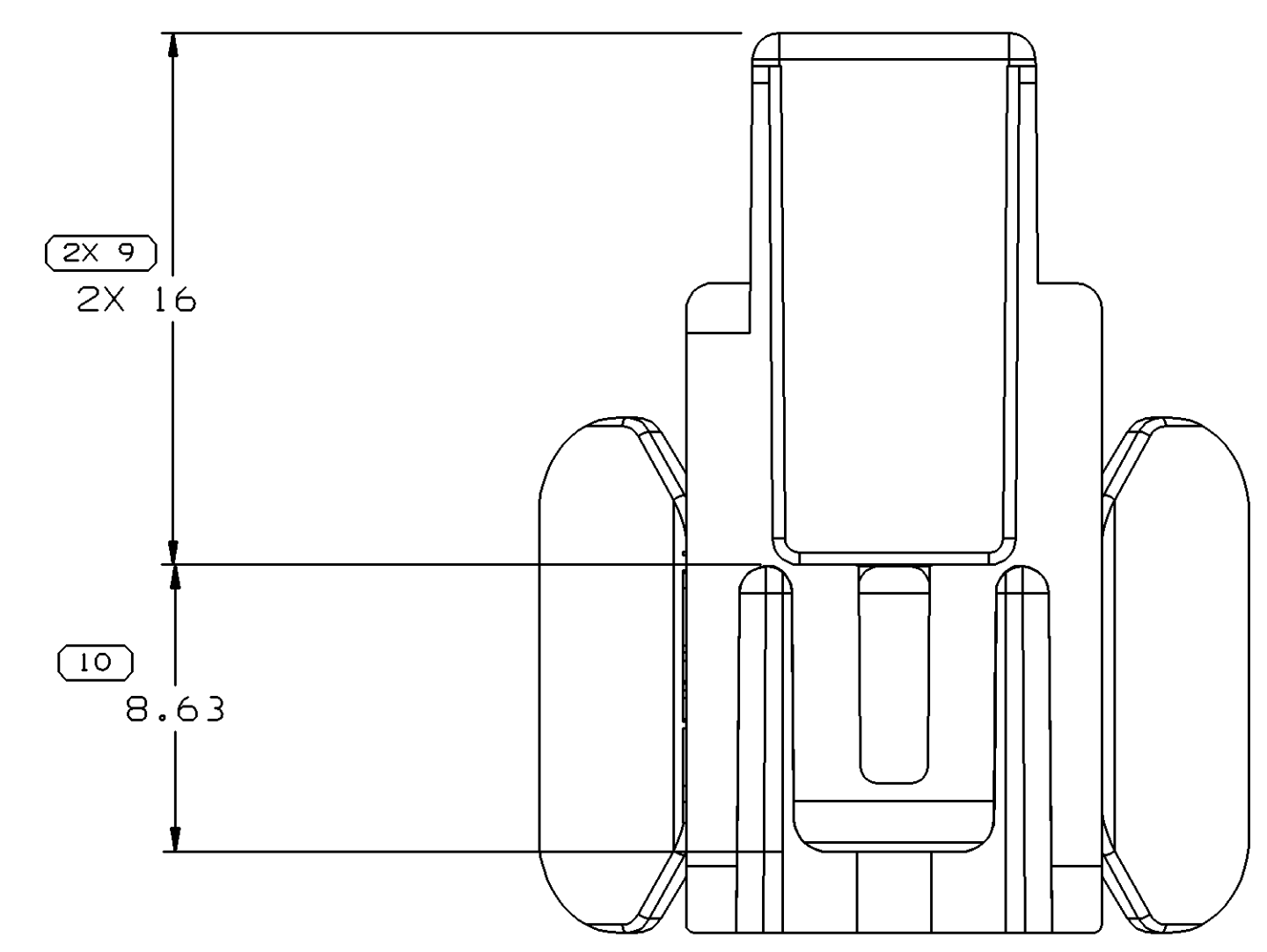
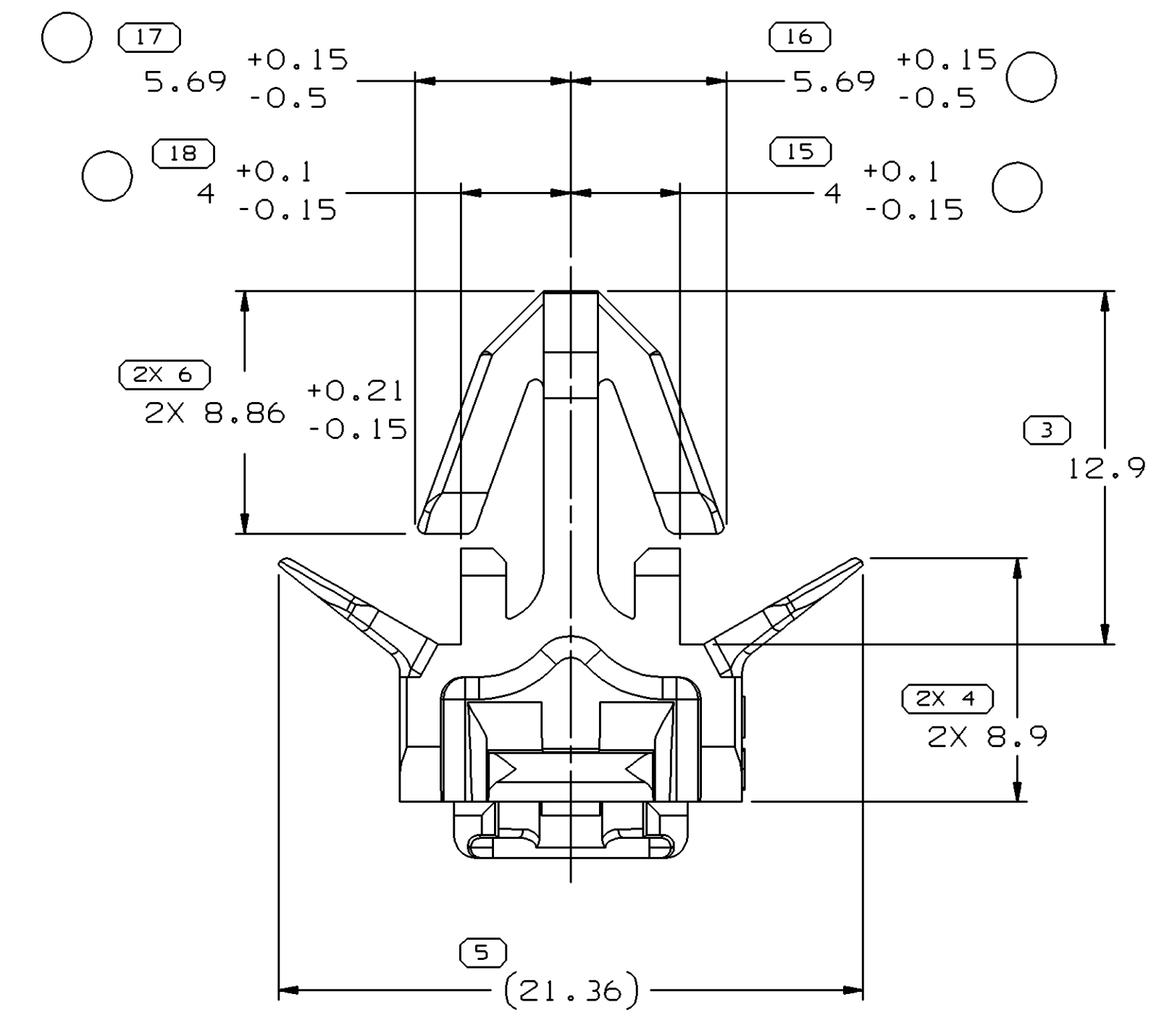
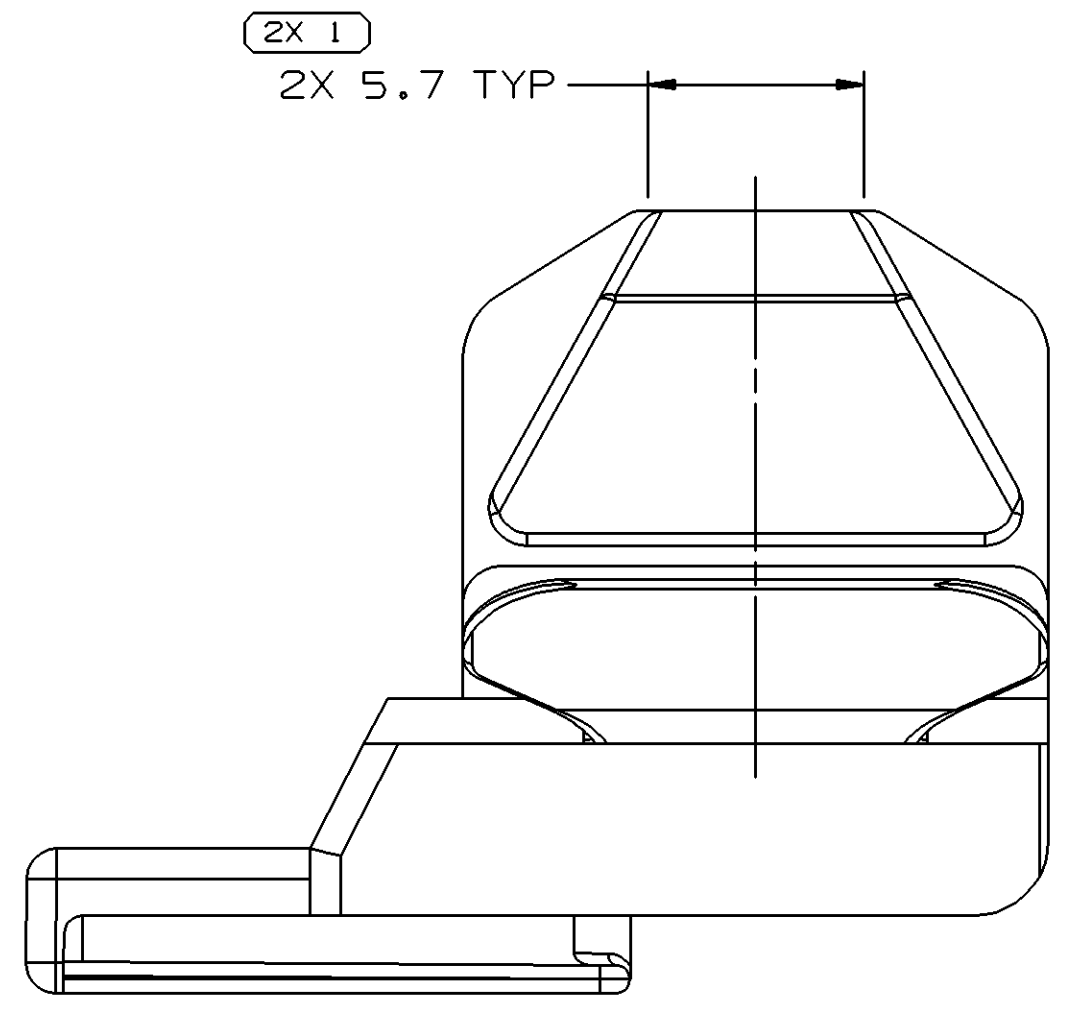
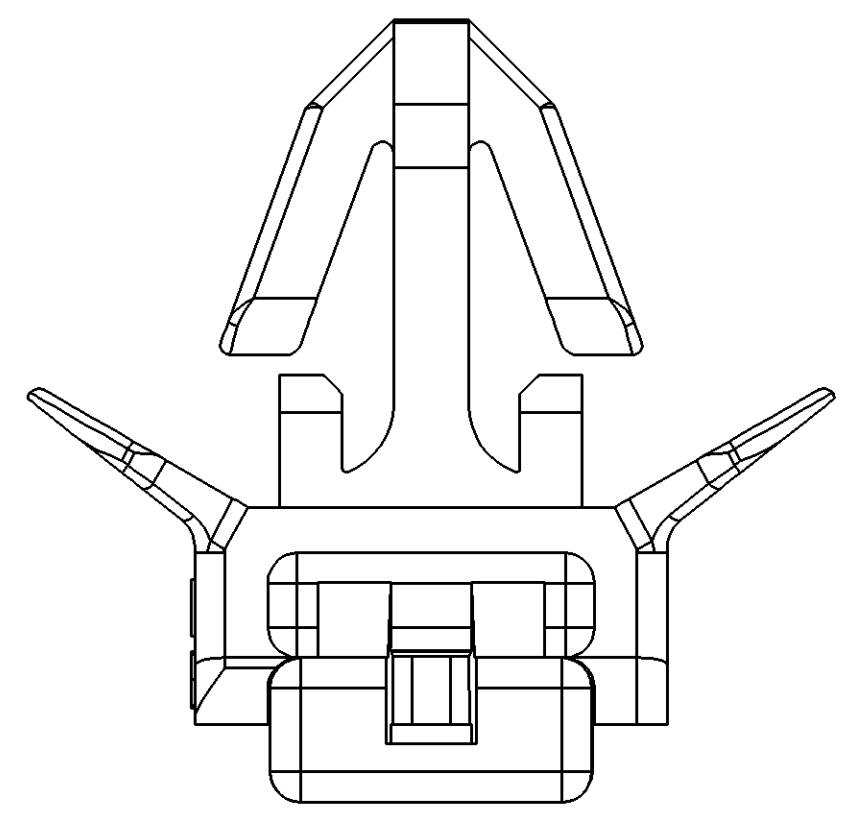
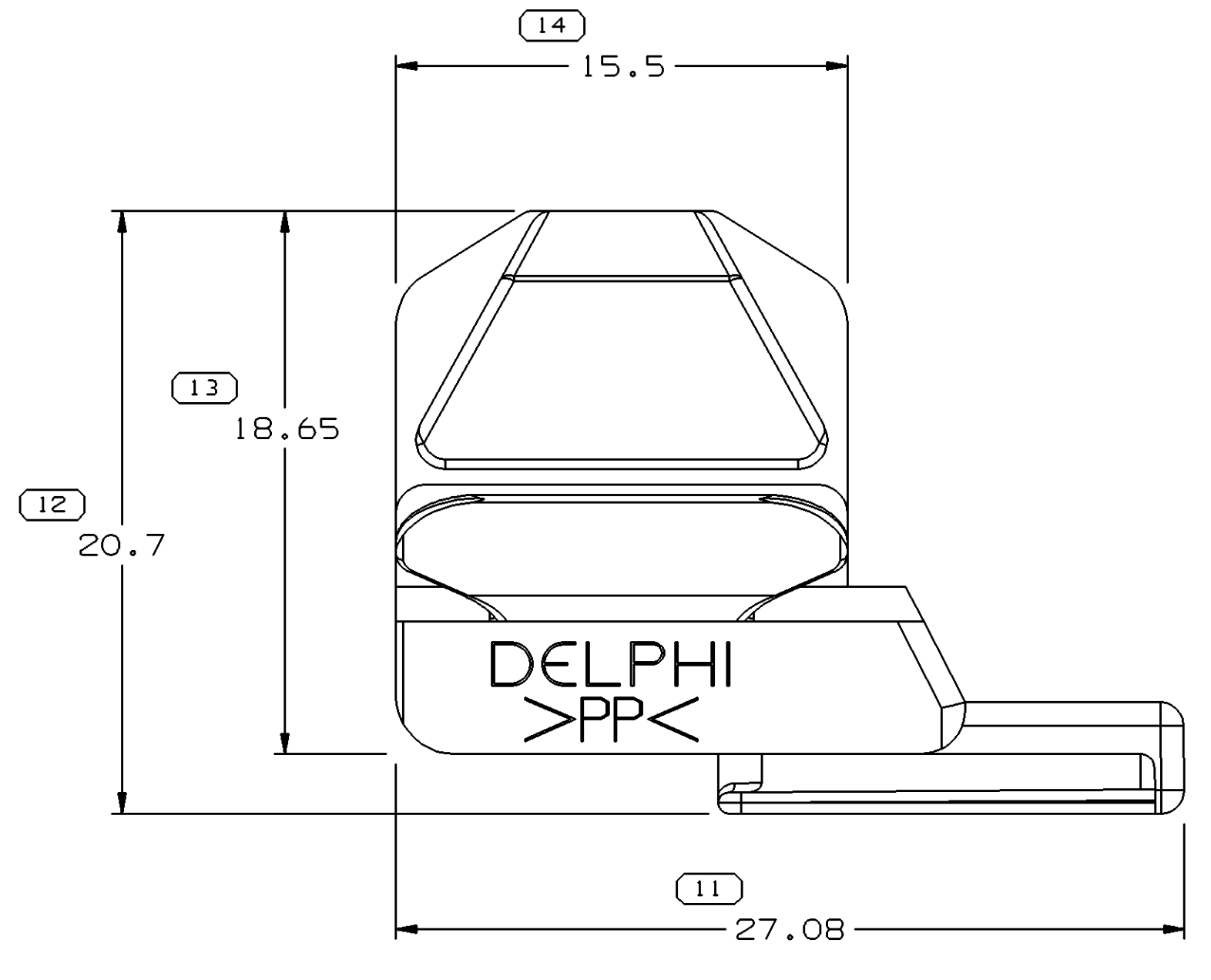
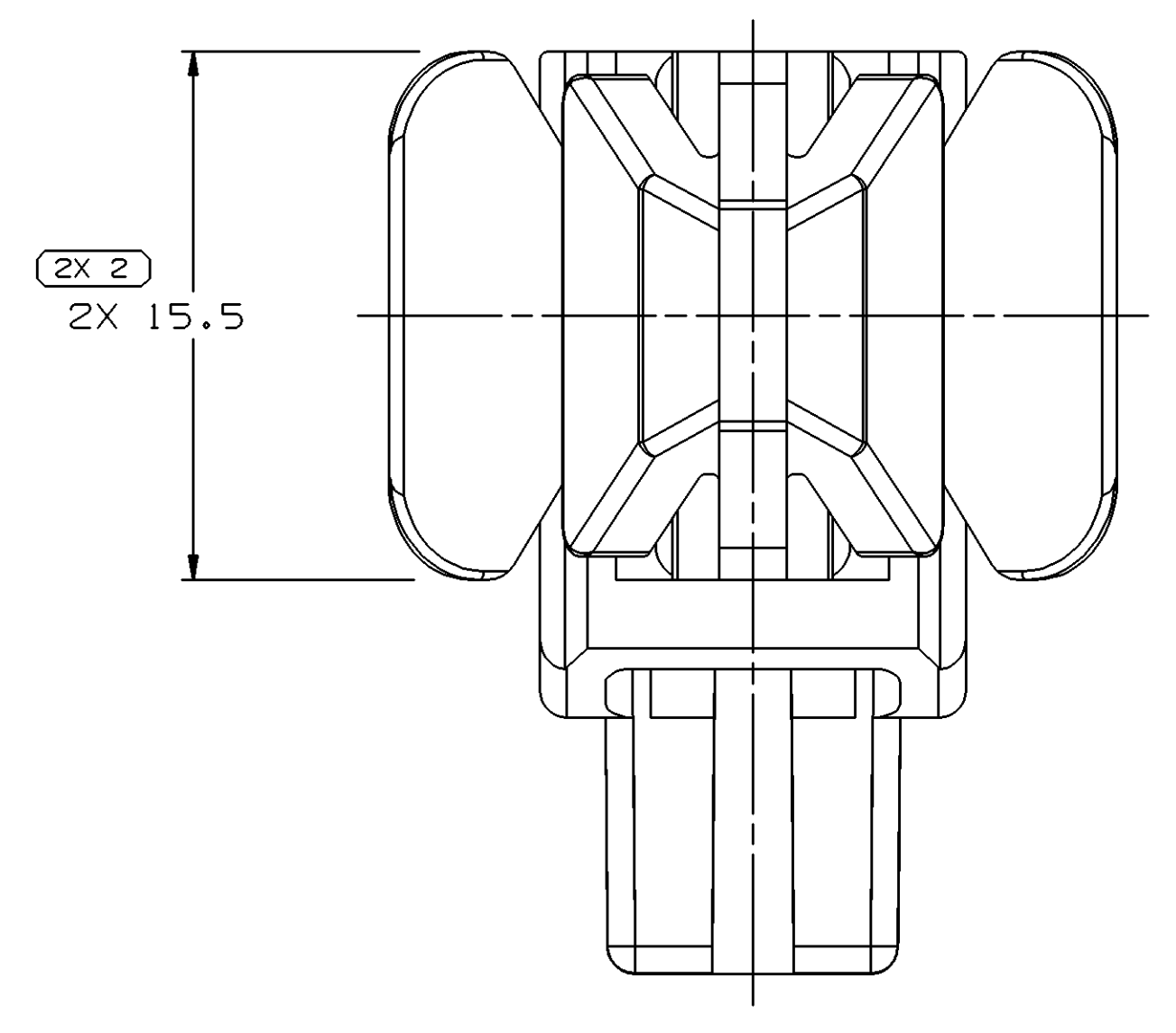
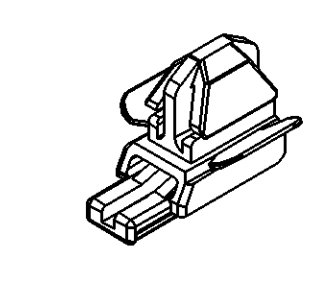


SYMBOL DEFINITION		TOTAL NO OF INSPECTIONS REQUIRED	
A DIMENSION WITHOUT AN INSPECTION REPORT SYMBOL DOES NOT REQUIRE INSPECTION. IT MAY BE CONTROLLED ON THE INDIVIDUAL COMPONENT DRAWING.		21	
	LAST NO. USED	18	

MISSING SYMBOLS					REVISION HISTORY			AUTH	DR	APVD
DATE	STG	REV	N/P	CHO	ZONE					
08MY02	R	02	-	-		CLEARED REV COLUMN: REVISED MODEL (3 PLCS); MOVED ALL VIEWS TO MATCH TOD; UPDATED MAT'L SPEC	224942	EES	EES	RAP
080C02	R	02	AA	-		REVISED TOLERANCES - 2PLCS	231790	CJC	CJC	RAP
27JN05	R	03	-	-		MATERIAL SPEC WAS M0661003 PP HS 1M-6RA	269660	AKJ	AKJ	RAP
14JUL05	R	03	AA	-		ADDED DIMS 15-18 AND REMOVED DIMS 7 AND 8	270094	JEB	JEB	RAP



- NOTES
- UNLESS OTHERWISE SPECIFIED AND/OR INDICATED: DIMENSIONS ARE TO FACE OF VIEW SHOWN AND AUTOMATICALLY ROUNDED BY COMPUTER FOR INSPECTION (SEE MATH MODEL FOR PRECISE DIMENSIONS). FOR ALL OTHER DIMENSIONS NOT SHOWN BUT REQUIRED FOR TOOL BUILD, SEE MATH MODEL FOR PRECISE TOOL PATH DATA.
 - MATERIAL RECYCLING CODE >PP< PER SAE J1344. (1.5)X(0.1) RAISED CHARACTERS AS SHOWN TO BE LOCATED ON ANY EXTERIOR SURFACE. OPTIONAL CONSTRUCTION TO BE NO MATERIAL RECYCLING CODE.
 - PART TO FIT RECTANGULAR HOLE (8.5 ±0.25) X (16 ±0.25) WITH STOCK THICKNESS OF 0.7 - 3 MM.
 - (1.5)X(0.1) RAISED DELPHI CORPORATE BRAND TO BE LOCATED ON ANY EXTERIOR SURFACE, PREFERABLY VISIBLE AT FINAL ASSEMBLY. OPTIONAL CONSTRUCTION TO BE "PED" OR NO LOGO.



DIMENSIONAL RANGE (MM)	CHART	ET
FROM > 0	> 20	> 30
TO 20	30	70
	70	100
	100	150
	150	200
	200	250
	250	300
	300	400
	TOLERANCE UNLESS OTHERWISE SPECIFIED	
	±0.15	±0.2
	±0.3	±0.4
	±0.5	±0.6
	±0.8	±1
	±1	±1.2
	ANGULAR TOLERANCE ±2°	

DWO TYPE PART DRAWING	
STYLE	
VOLUME (OP)	DISTR CODE
2.100	D
UNLESS OTHERWISE SPECIFIED	
THIS DOCUMENT IS IN ACCORDANCE WITH ASME Y14.5M-1994 AS AMENDED BY THE 2003 DIMENSIONING AND TOLERANCING ADDENDUM - 1997. ALL GEOMETRIC TOLERANCES AND RELATED DATUM APPL. TO ALL DIMENSIONS UNLESS OTHERWISE SPECIFIED.	
MNCI DOES NOT APPLY WHEN RELATIONSHIP BETWEEN FEATURES IS ESTABLISHED BY ORIENTATION OR LOCATION TOLERANCES. SEPARATE POSITION DIALINDUS MAY BE GAGED SEPARATELY. REGARDLESS OF DATUM REFERENCE.	
ALL DIMENSIONS ARE IN MILLIMETERS	
THIRD ANGLE PROJECTION	DO NOT SCALE
USE MATH DATA	UNSPRINGS

DELPHI
DELPHI PACKARD ELECTRIC SYSTEMS
WARREN, OH

DR	DATE
APVD1 ELIAS VAZQUEZ V.	08MR02
APVD2 ELIAS VAZQUEZ V.	08MR02
APVD3 R. PUHL	13MR02
APVD4	
APVD5	
SUBSTANCES OF CONCERN AND RECYCLED CONTENT PER DELPHI 10949001	
MATERIAL M2097003 PP HS 1M 6RA	
DRAWING NAME	MOUN CLIP CONN ROSEBUD
DRAWING NUMBER	15401328
SIZE AO	SCALE 5:1
FRAME NO 1	SHEET NO 1 OF 1
DATE 03	REV 1

Mouser Electronics

Authorized Distributor

Click to View Pricing, Inventory, Delivery & Lifecycle Information:

[Aptiv:](#)

[15401328](#)