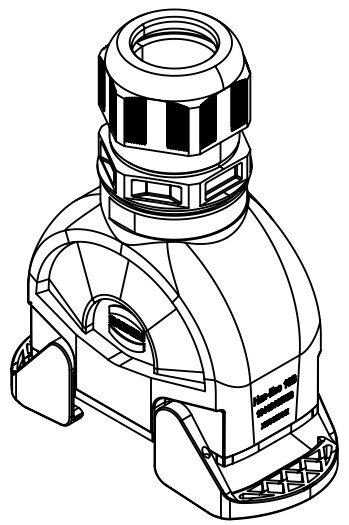


Z (1:1)

Han-Eco 16B
19413160723
xxxxxxxxxx



	All rights reserved Department EL PD - DE HARTING Electric GmbH & Co. KG D-32339 Espelkamp	All Dimensions in mm Original Size DIN A4		Scale 1:2	Free size tol.	Ref. Sub.
		Created by DICK	Inspected by HERBRECHTSME	Standardisation TIEMANNA	Date 2016-02-29	State Final Release
Title Han-Eco 16B-kg-M40 outdoor cable gland					Doc-Key / ECM-Nr. 100555049/UGD/000/D 500000096768	
Type TB			Number 19 41 316 0723		Rev. D	Page 1/1

Mouser Electronics

Authorized Distributor

Click to View Pricing, Inventory, Delivery & Lifecycle Information:

[HARTING:](#)

[19413160723](#)