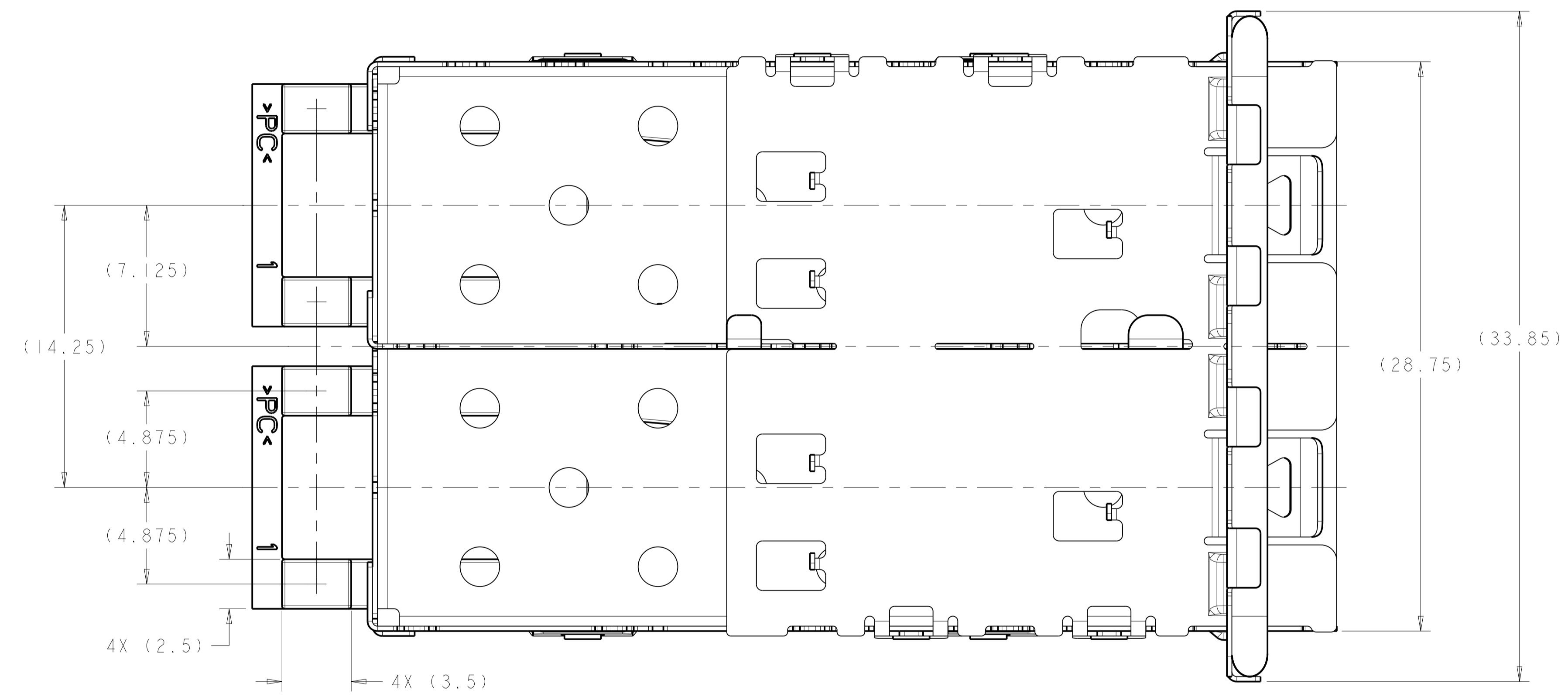
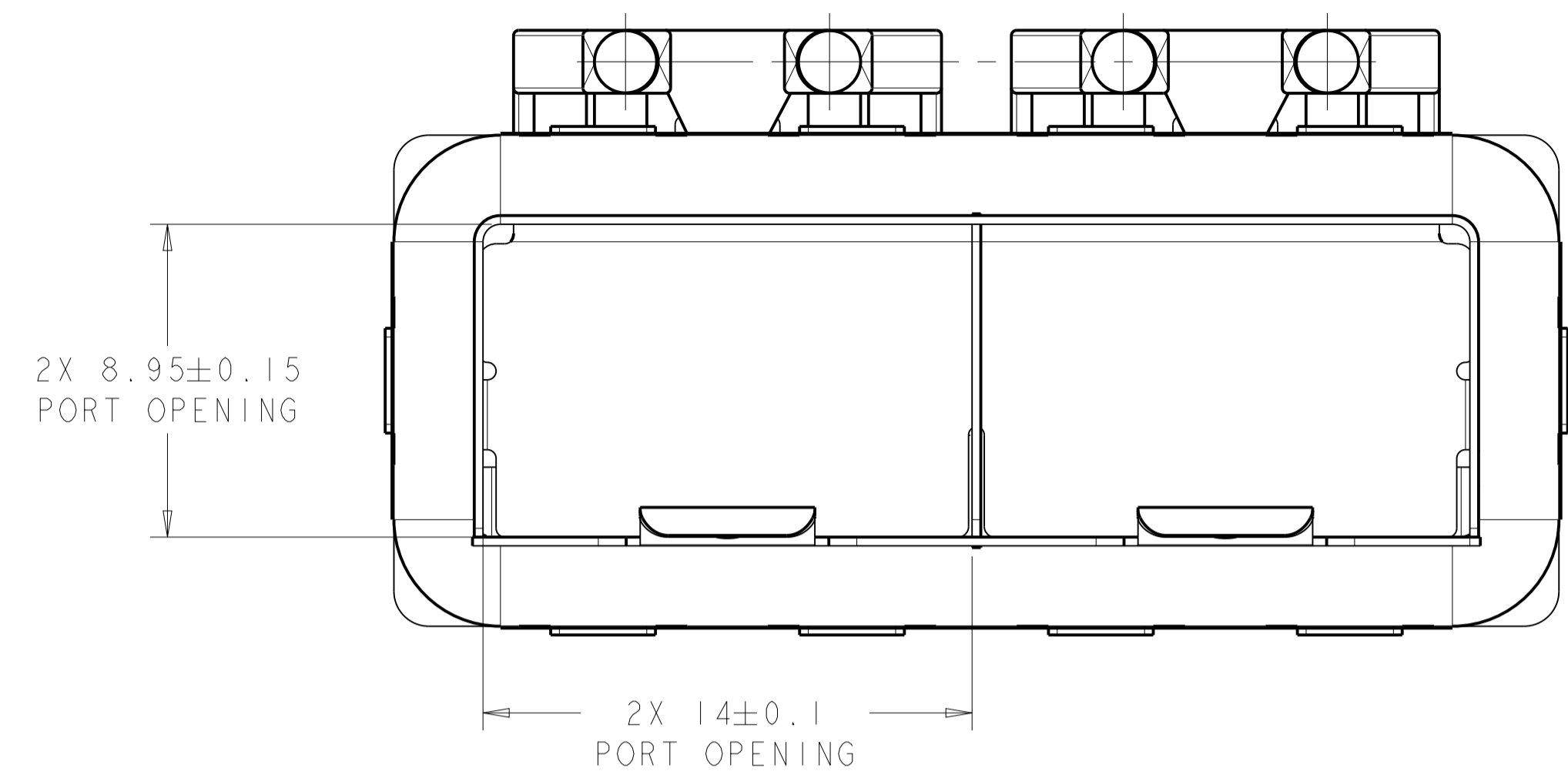
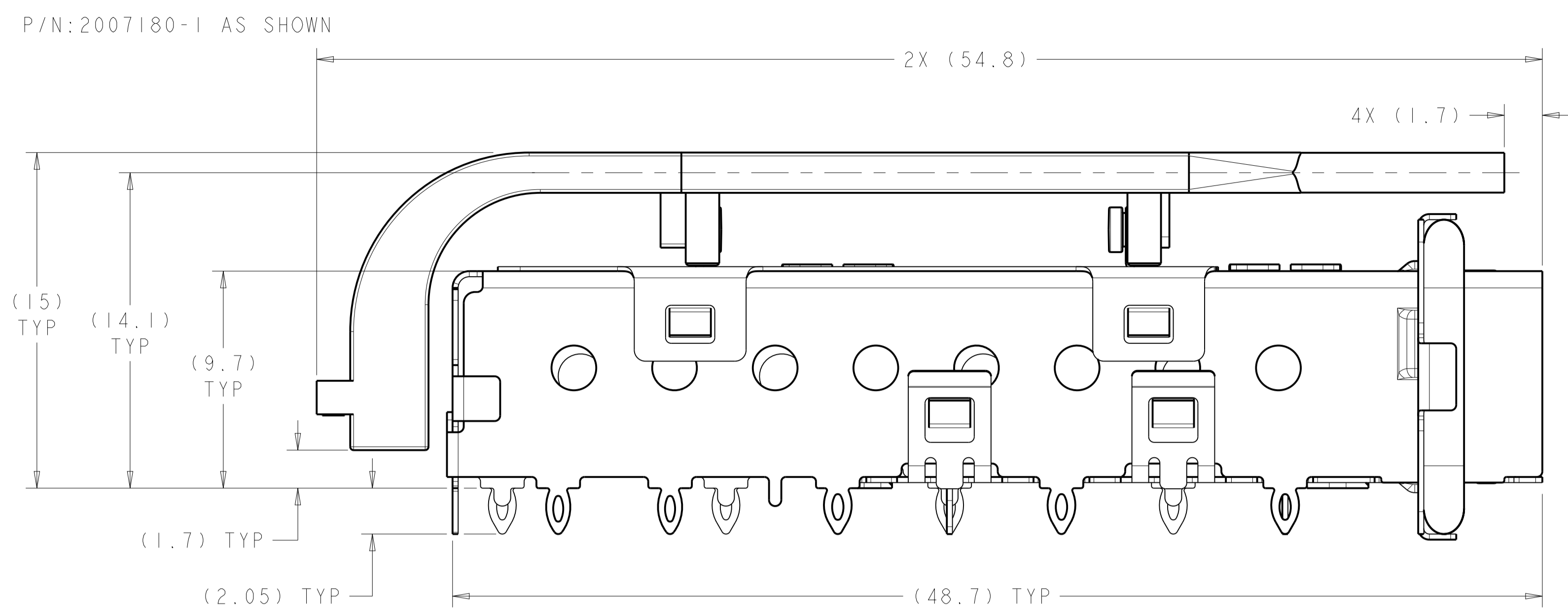
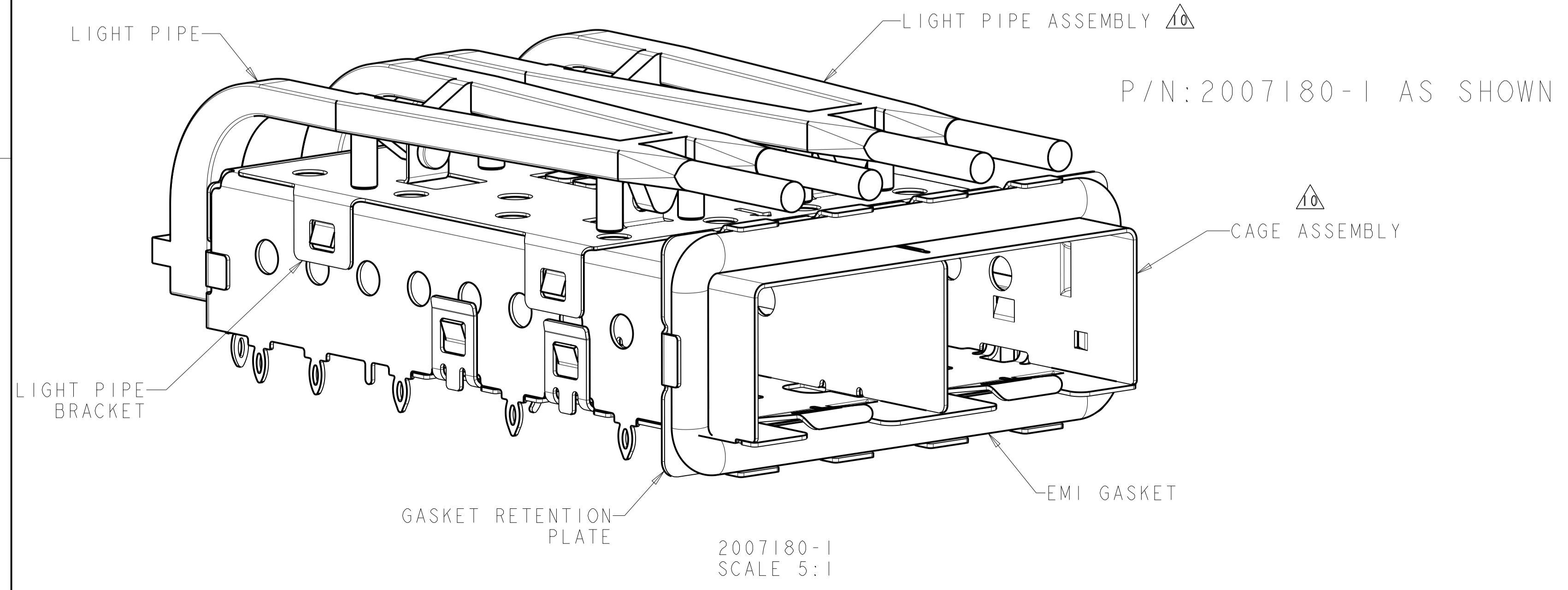


LOC	DIST	REVISIONS			
P	LTN	DESCRIPTION	DATE	DMN	APVD
C1		REVISED PER ECO-11-004835	11MAR2011	RK	HMR
D		REVISED PER ECO-12-014021	07DEC2012	TD	AC
D1		ADD REDUCED LENGTH TYPE LIGHT PIPE	17MAR2014	PP	SH



- △ MATERIAL:
CAGE ASSEMBLY - 0.25mm THICK NICKEL SILVER ALLOY
GASKET RETENTION PLATE - STAINLESS STEEL
EMI GASKET - PLATED FILLED SILICONE
LIGHT PIPE BRACKET - STAINLESS STEEL
LIGHT PIPE - POLYCARBONATE, CLEAR
- △ DATUM AND BASIC DIMENSION ESTABLISHED BY CUSTOMER.
- 3. MATES WITH SFP MSA COMPLIANT TRANSCEIVERS.
- △ PADS AND VIAS CHASSIS GROUND.
- 5. INTERPRETATION OF DATUM REFERENCE FRAME IN ACCORDANCE WITH SECT 4.4.1.1 OF ASME Y14.5M-1994.
- △ MINIMUM PC BOARD THICKNESS = 1.50mm.
- △ HOLE PATTERN REPEATS FOR EACH PORT. SPACING BETWEEN PORTS IS 14.25mm.
- △ REFERENCE APPLICATION SPEC. 114-13120, HOLE A, FOR RECOMMENDED DRILL HOLE DIAMETER AND PLATING THICKNESS.
- △ REFERENCE APPLICATION SPEC. 114-13120, HOLE B, FOR RECOMMENDED DRILL HOLE DIAMETER AND PLATING THICKNESS.
- △ LIGHT PIPE ASSEMBLY SHIPPED UNASSEMBLED TO CAGE ASSEMBLY. CAGE ASSEMBLY TO BE PRESSED INTO THE PCB PRIOR TO ATTACHING THE LIGHT PIPE ASSEMBLY TO THE CAGE.
- 11. PRODUCT COMPLIES WITH SPECIFICATION SFF-8433 IMPROVED PLUGGABLE FORM FACTOR FOR SFP+ GANGED CAGES.



51.30	2007180-2
53.10	2007180-1
LIGHT PIPE LENGTH	PART NUMBER

THIS DRAWING IS A CONTROLLED DOCUMENT.

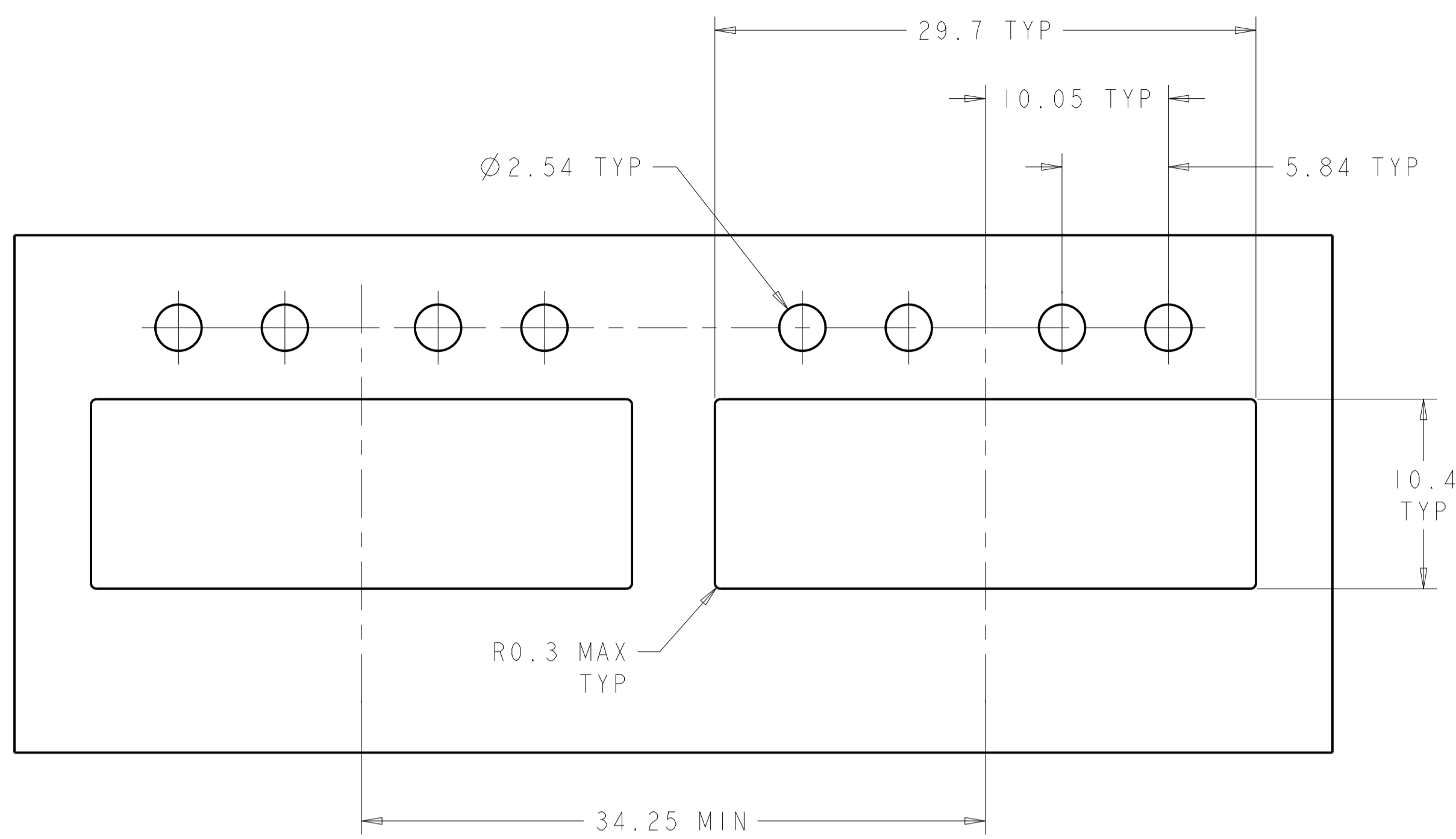
DMN: M.E. COWHER 14JUN2007	CHK: M.J. PHILLIPS 14JUN2007	APVD: M.J. PHILLIPS 14JUN2007	NAME: SFP+ 1X2 CAGE ASSEMBLY PRESS FIT, EMI GASKET WITH LIGHT PIPES
DIMENSIONS: mm	TOLERANCES UNLESS OTHERWISE SPECIFIED:	PRODUCT SPEC: 108-2364	APPLICATION SPEC: 114-13120
0 PLC ±0.1	1 PLC ±0.1	2 PLC ±0.1	3 PLC ±0.1
4 PLC ±0.1	ANGLES ±0.1	FINISH: ±0.05	WEIGHT: -

Customer Drawing

SCALE: 6:1 SHEET 1 OF 3 REV: D1

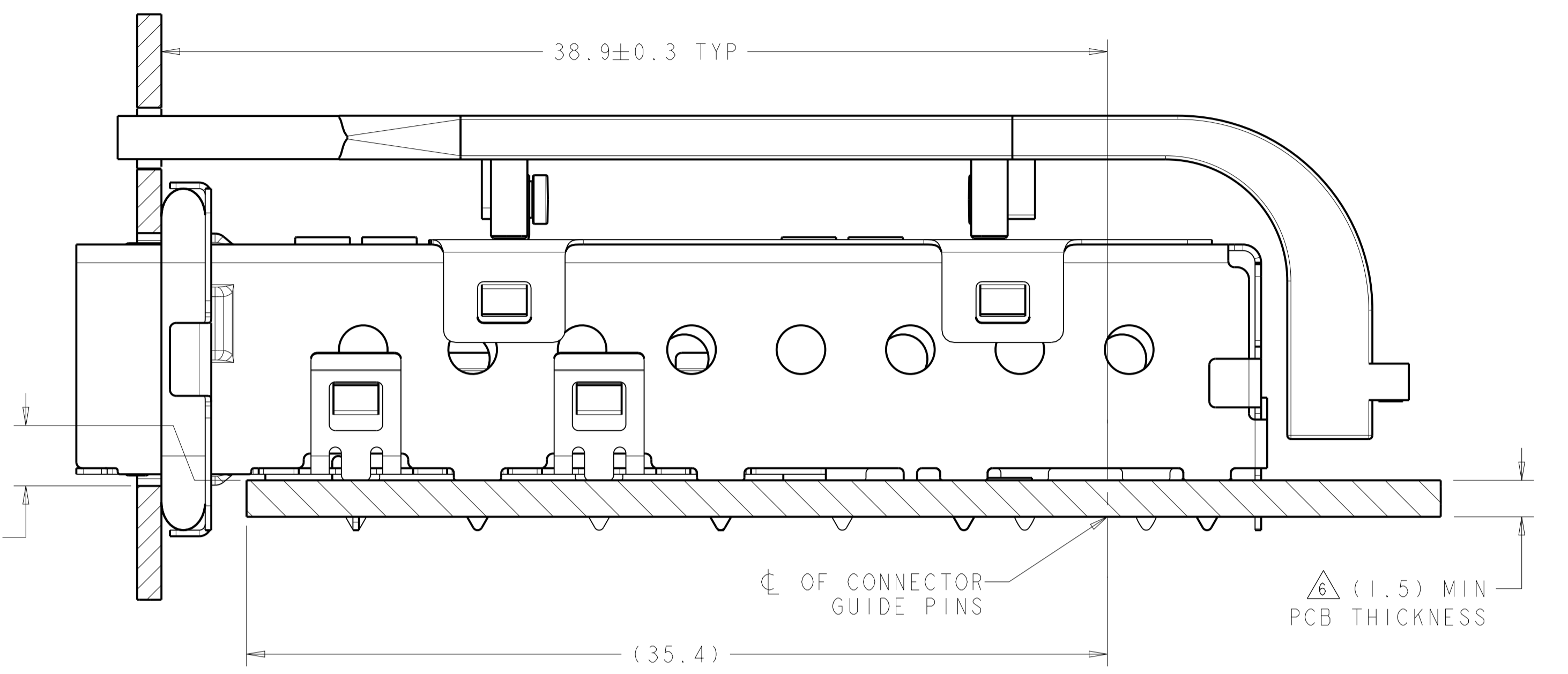
LOC	DIST	REV	DATE	BY	APPV
GP	00				

REVISIONS					
REV	DATE	BY	APPV	DESCRIPTION	DATE
-	-	-	-	SEE SHEET 1	-

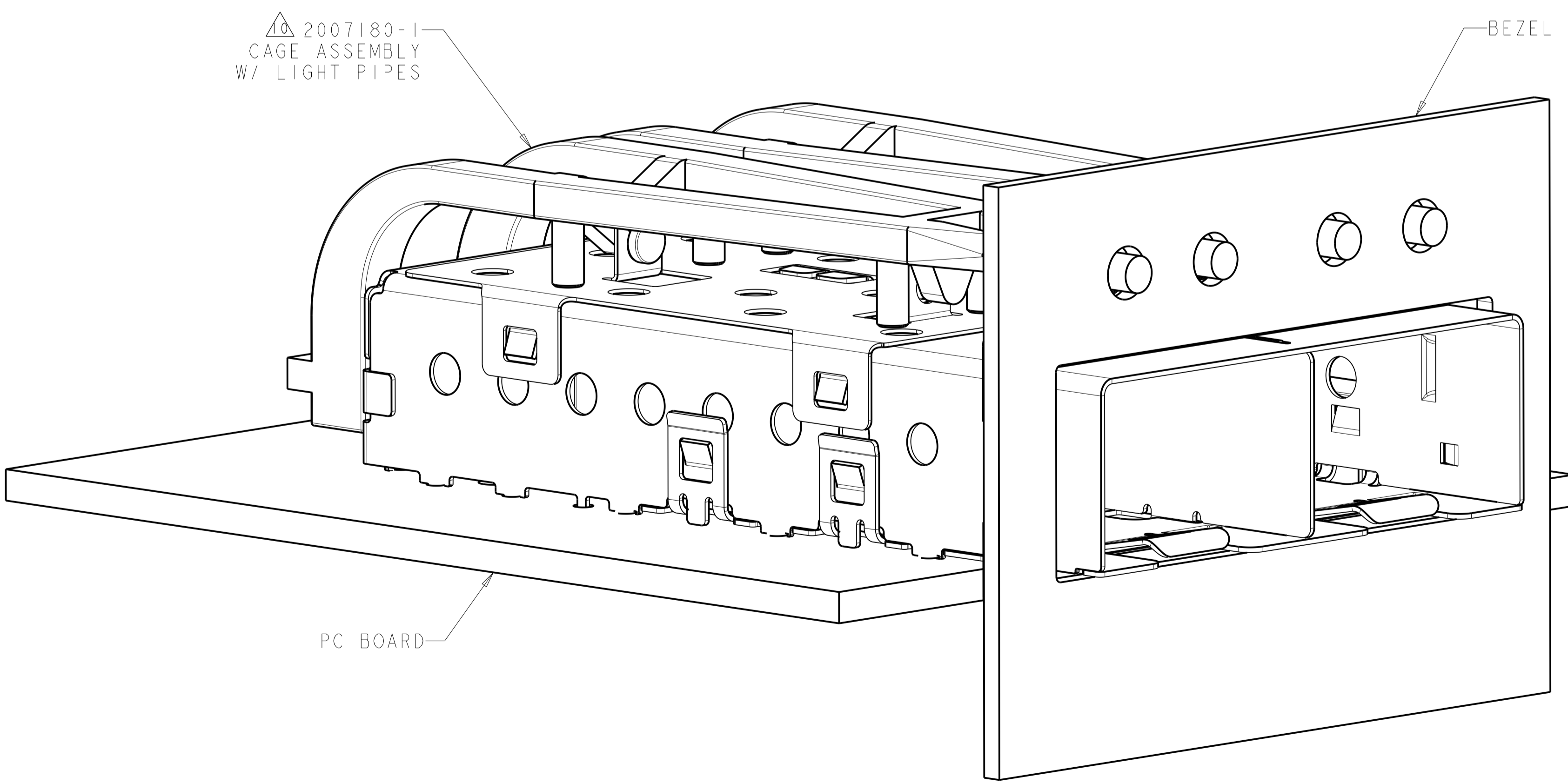


RECOMMENDED BEZEL CUTOUT
SCALE 4:1

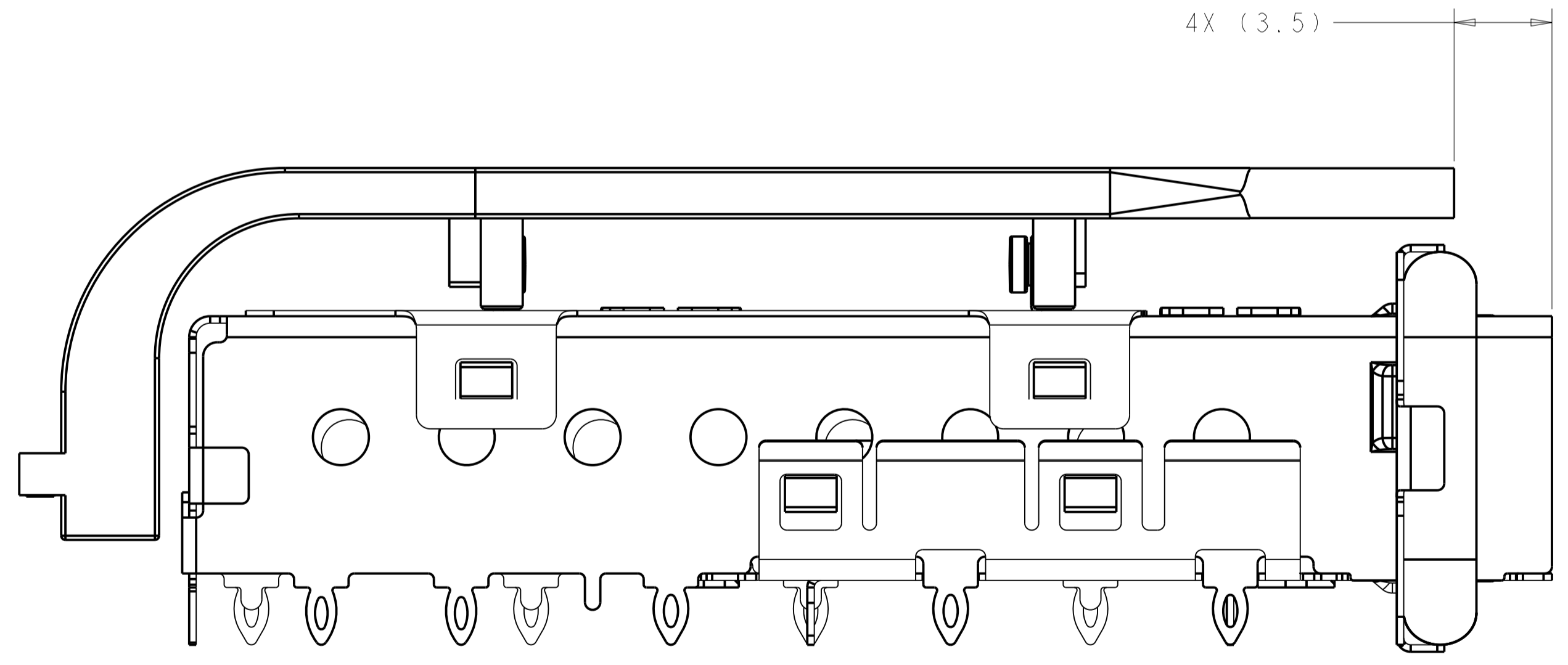
0.23^{+0.10}_{-0.14}
TOP OF PCB
TO INSIDE OF
BEZEL CUT-OUT



2007180-1
MOUNTED ON PCB SHOWN
THRU RECOMMENDED BEZEL



2007180-1
MOUNTED ON PCB
SHOWN THRU RECOMMENDED BEZEL

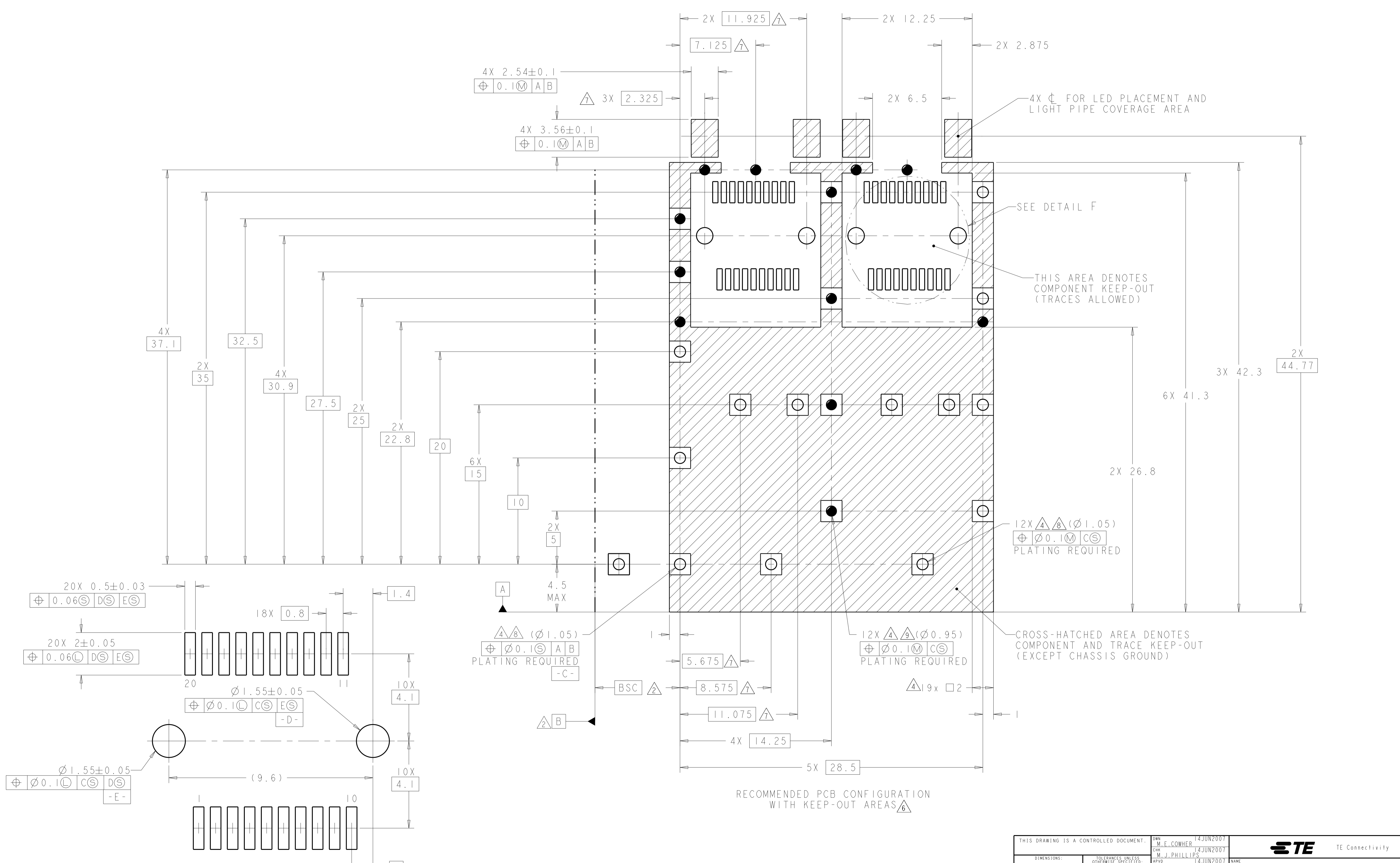


P/N: 2007180-2 AS SHOWN
UNSPECIFIED DIMENSIONS REFER TO PN 2007180-1

THIS DRAWING IS A CONTROLLED DOCUMENT.		OWN: M. E. COWHER 14JUN2007	TE Connectivity
DIMENSIONS: mm		CHK: M. J. PHILLIPS 14JUN2007	
TOLERANCES UNLESS OTHERWISE SPECIFIED:		APVD: M. J. PHILLIPS 14JUN2007	NAME: SFP+ 1X2 CAGE ASSEMBLY PRESS FIT, EMI GASKET WITH LIGHT PIPES
0 PLC	±0.1	PRODUCT SPEC	SIZE: CAGE CODE DRAWING NO
1 PLC	±0.1	108-2364	A100779C=2007180
2 PLC	±0.1	APPLICATION SPEC	RESTRICTED TO
3 PLC	±0.1	114-13120	SCALE: 6:1 SHEET 2 OF 3 REV: D1
4 PLC	±0.1	WEIGHT	
ANGLES	±1°	Customer Drawing	
MATERIAL	FINISH		

LOC	DIST	REV	DATE	BY	APPV
GP	00				

REVISIONS					
REV	DATE	BY	APPV	DESCRIPTION	DATE
-	-	-	-	SEE SHEET 1	-



DETAIL F
 RECOMMENDED PT CONNECTOR LAYOUT
 2X INDIVIDUALLY
 SCALE 12:1

THIS DRAWING IS A CONTROLLED DOCUMENT.		OWN: M.E. COWHER 14JUN2007	 TE Connectivity
DIMENSIONS: mm		CHK: M.J. PHILLIPS 14JUN2007	
TOLERANCES UNLESS OTHERWISE SPECIFIED:		APVD: M.J. PHILLIPS 14JUN2007	
0 PLC ±0.1 1 PLC ±0.1 2 PLC ±0.1 3 PLC ±0.1 4 PLC ±0.1 ANGLES ±1°		NAME: SFP+ 1X2 CAGE ASSEMBLY PRESS FIT, EMI GASKET WITH LIGHT PIPES PRODUCT SPEC: 108-2364 APPLICATION SPEC: 114-13120 WEIGHT: - Customer Drawing	
MATERIAL: -		SIZE: A100779	DRAWING NO: C=2007180 SHEET 3 OF 3 REV D

Mouser Electronics

Authorized Distributor

Click to View Pricing, Inventory, Delivery & Lifecycle Information:

[TE Connectivity:](#)

[2007180-1](#)