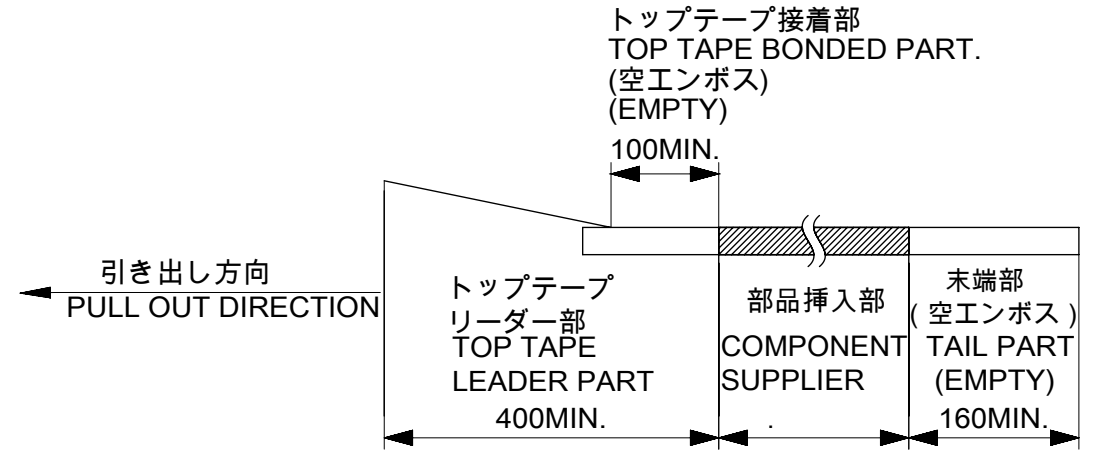


NOTES

- 梱包数量 : 900個 / リール
NUMBER OF CONNECTORS : 900 PCS/REEL.
- リードテープ長さ
LEAD TAPE LENGTH.

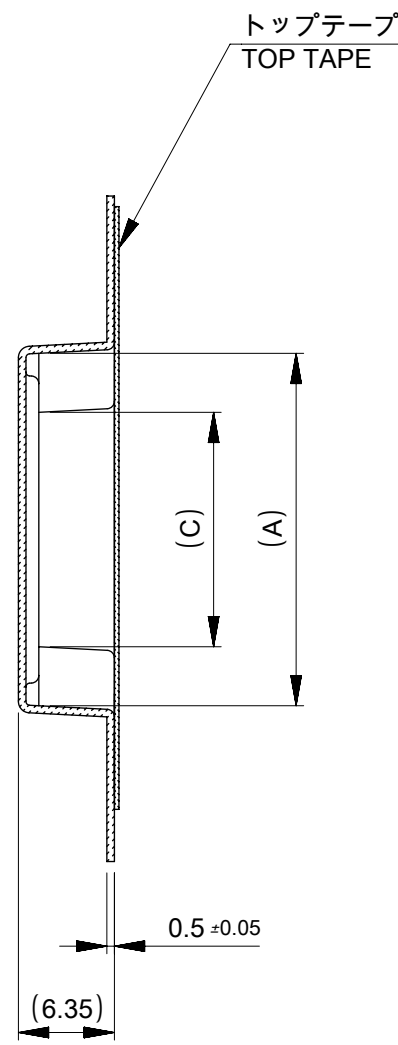


- 製品詳細寸法については図面 5018641002 DOC.PART 000を参照下さい。
RE DETAILED DIMENSION, SEE 5018641002 DOC.PART 000.
- 材料(MATERIAL)
キャリアテープ(CARRIER TAPE) : ポリスチレン(POLYSTYRENE)
トップテープ(TOP TAPE) : PET, PE, PE
リール(REEL) : ポリスチレン(POLYSTYRENE)
- ELV及びRoHS適合品
ELV AND RoHS COMPLIANT

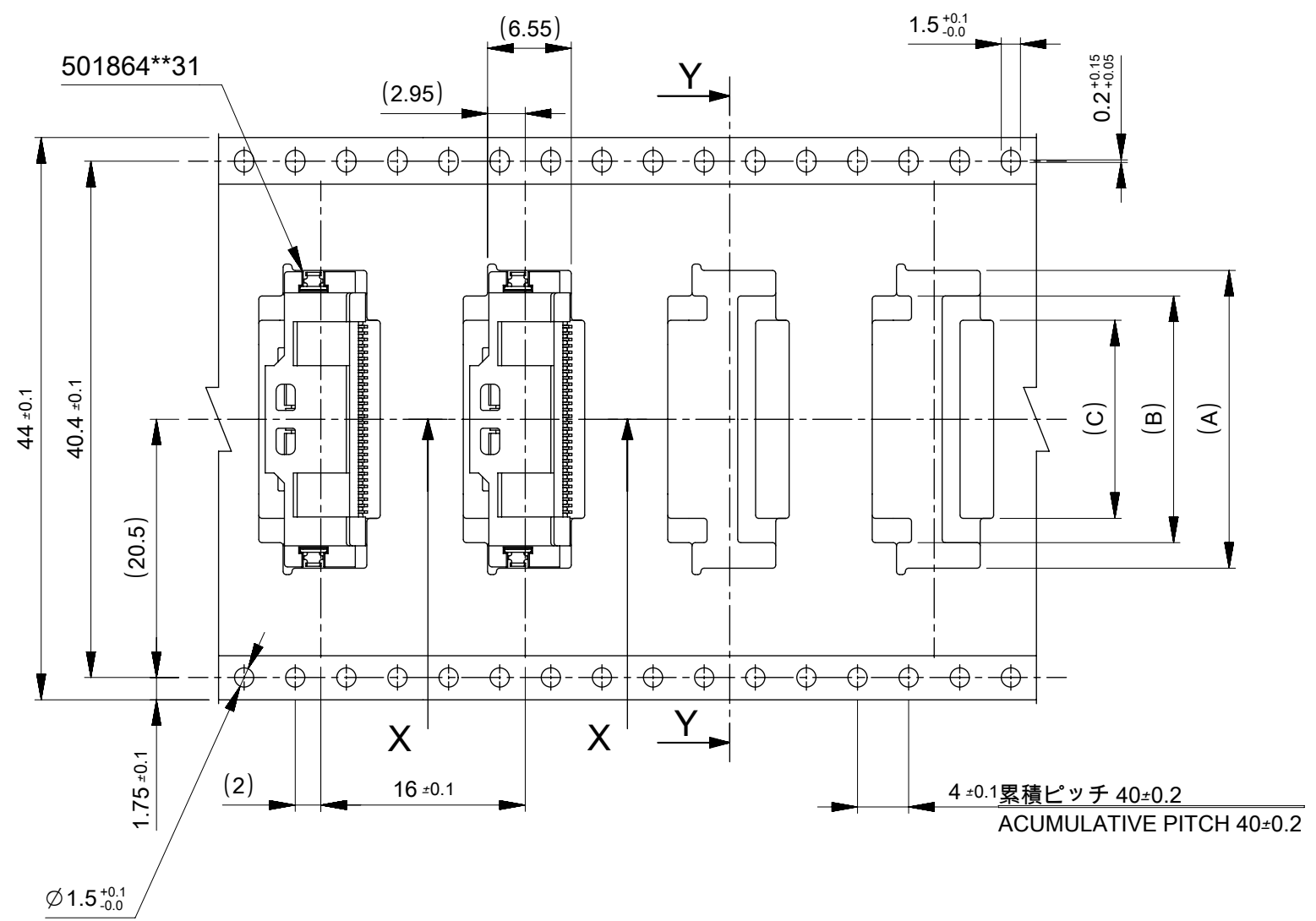
501864**91 MODEL NO.

THIS DRAWING CONTAINS INFORMATION THAT IS PROPRIETARY TO MOLEX ELECTRONIC TECHNOLOGIES, LLC AND SHOULD NOT BE USED WITHOUT WRITTEN PERMISSION										
EC NO: 104542 DRWN: KMKERUR CHK'D: NUKITA REV APPR: NUKITA	GENERAL TOLERANCES (UNLESS SPECIFIED)				DIMENSION UNITS	SCALE				
	ANGULAR TOL ± 1.0 °				mm	NTS				
	4 PLACES ±				DRWN BY	DATE	EMBSTP PKG FOR 0.5 FFC TO BOARD ST TYPE			
	3 PLACES ±				KMKERUR	2016/02/22				
	2 PLACES ± 0.2				CHK'D BY	DATE				
	1 PLACE ± 0.2				KTANAKA03		PRODUCT CUSTOMER DRAWING			
0 PLACES ± 0.2				APPR BY	DATE					
DRAFT WHERE APPLICABLE MUST REMAIN WITHIN DIMENSIONS				DRAWING SIZE	THIRD ANGLE PROJECTION	SERIES	MATERIAL NUMBER	CUSTOMER		
				A3		501864	SEE CHART	GENERAL MARKET		
						DOCUMENT NUMBER	DOC TYPE	DOC PART	SHEET NUMBER	
						5018640002	PSD	000	1 OF 3	

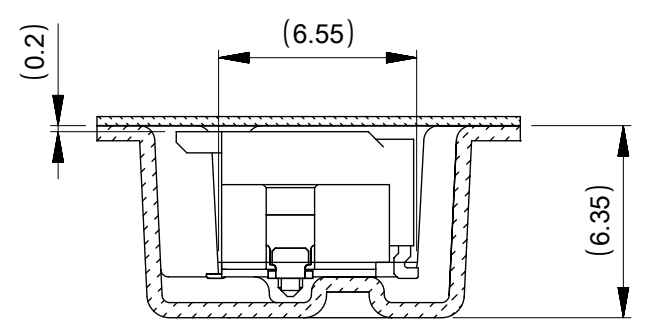
引き出し方向
PULL OUT DIRECTION



SECT. Y-Y



44mm幅キャリアテープ
44mm WIDTH CARRIER TAPE



SECT. X-X

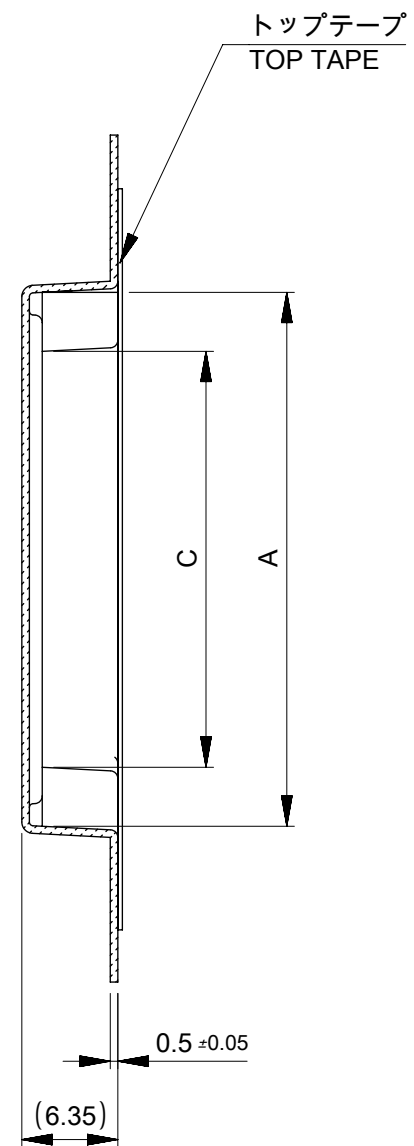
44	45.4	15.6	19.3	23.3	5018643091	30
キャリアテープ幅 CARRIER TAPE WIDTH	D	C	B	A	製品番号 MATERIAL NO.	極数 CKT

THIS DRAWING CONTAINS INFORMATION THAT IS PROPRIETARY TO MOLEX ELECTRONIC TECHNOLOGIES, LLC AND SHOULD NOT BE USED WITHOUT WRITTEN PERMISSION

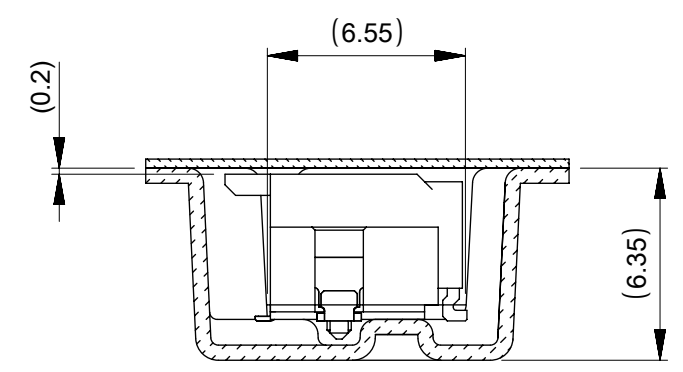
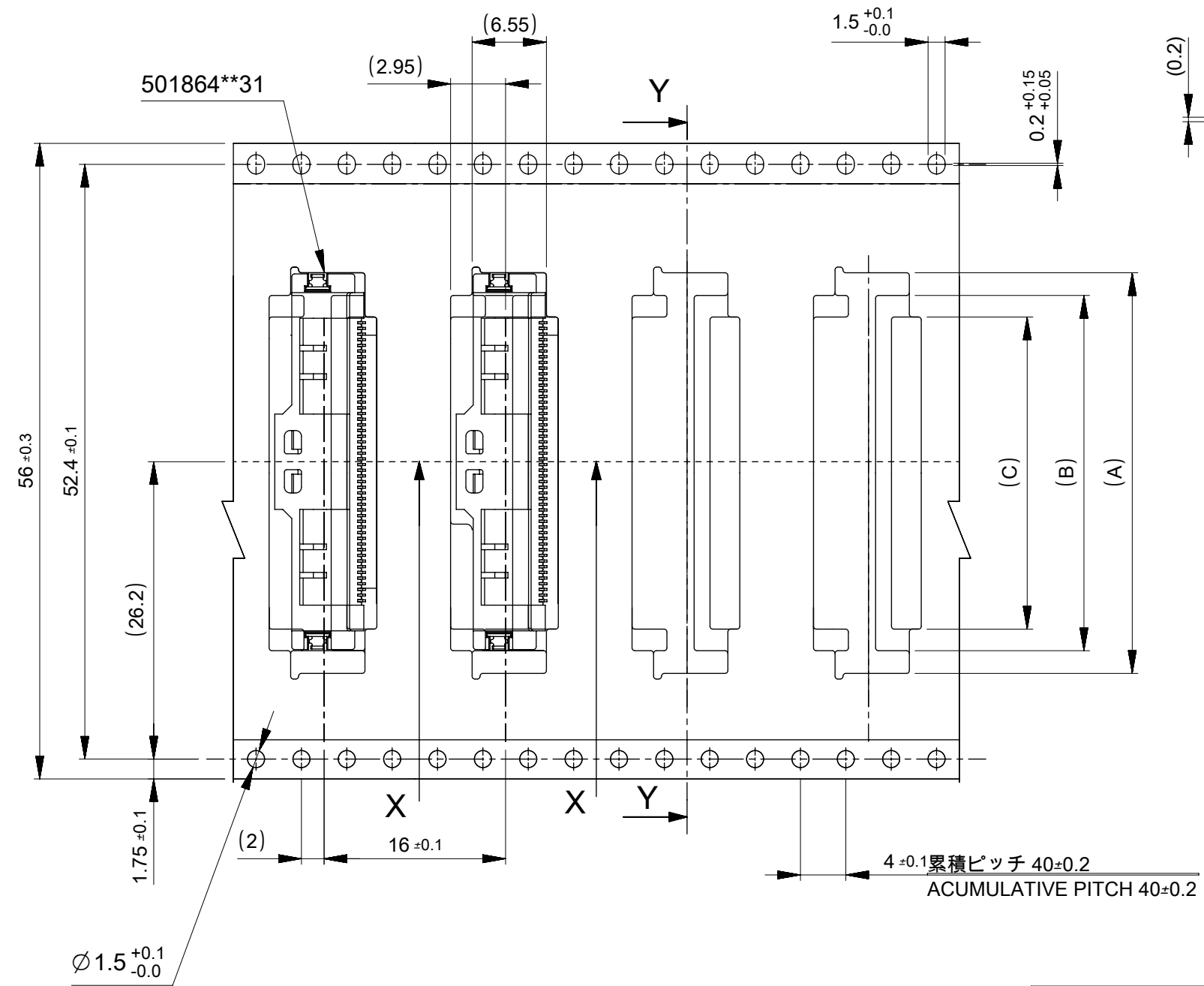
EC NO: 104542 DRWN: KMKERUR CHK'D: NUKITA APPR: NUKITA	2016/02/22	GENERAL TOLERANCES (UNLESS SPECIFIED) ANGULAR TOL ± 1.0 ° 4 PLACES ± 3 PLACES ± 2 PLACES ± 0.2 1 PLACE ± 0.2 0 PLACES ± 0.2	DIMENSION UNITS	SCALE
	2016/04/27		mm	NTS
	2016/04/27		DRWN BY	DATE
			KMKERUR	2016/02/22
			CHK'D BY	DATE
			KTANAKA03	
	APP'R BY	DATE	DRAFT WHERE APPLICABLE MUST REMAIN WITHIN DIMENSIONS	
	NUKITA	2016/04/27	DRAWING SIZE	THIRD ANGLE PROJECTION
			A3	

molex [®]			
EMBSTP PKG FOR 0.5 FFC TO BOARD ST TYPE			
PRODUCT CUSTOMER DRAWING			
SERIES	MATERIAL NUMBER	CUSTOMER	
501864		GENERAL MARKET	
DOCUMENT NUMBER	DOC TYPE	DOC PART	SHEET NUMBER
5018640002	PSD	000	2 OF 3

引き出し方向
PULL OUT DIRECTION



SECT. Y-Y



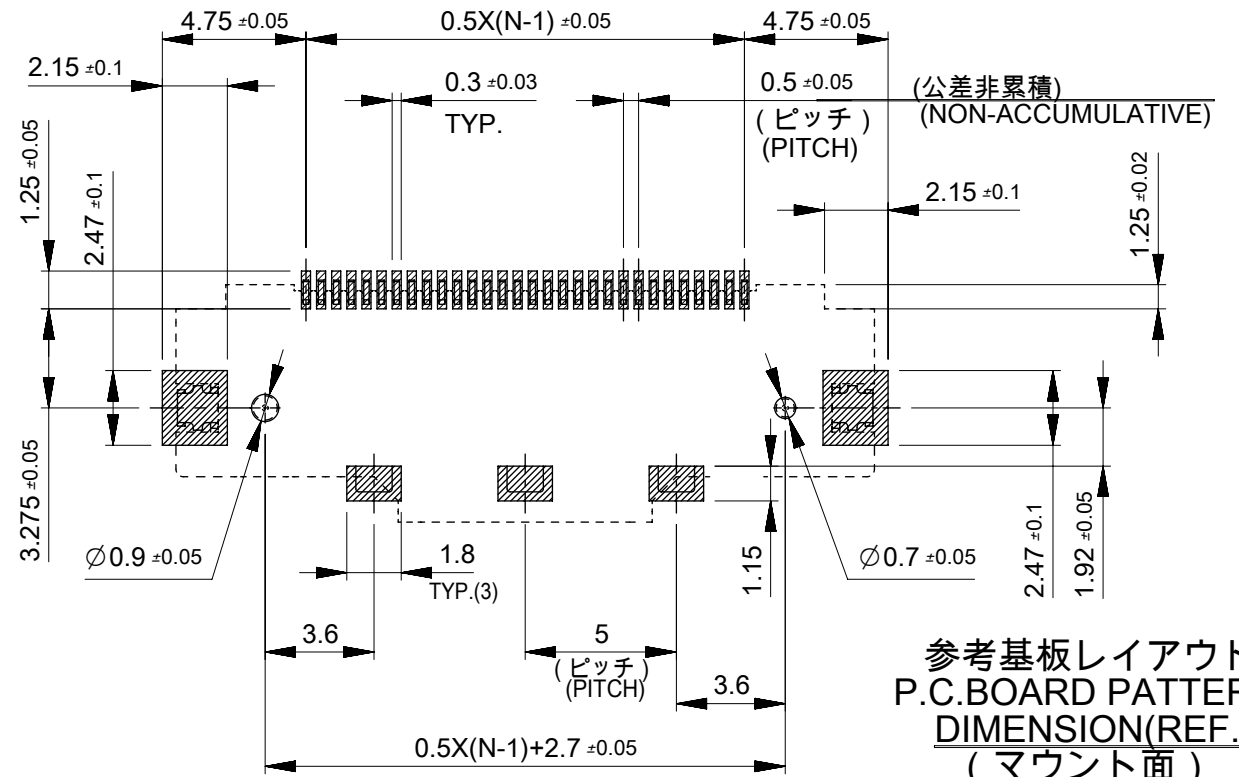
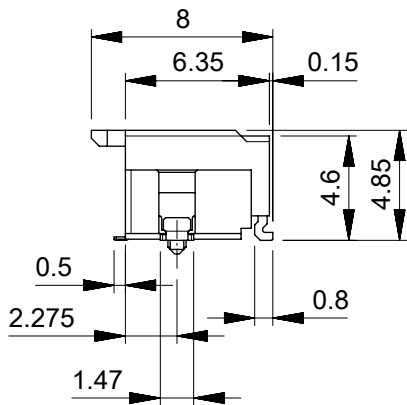
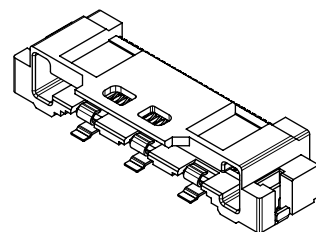
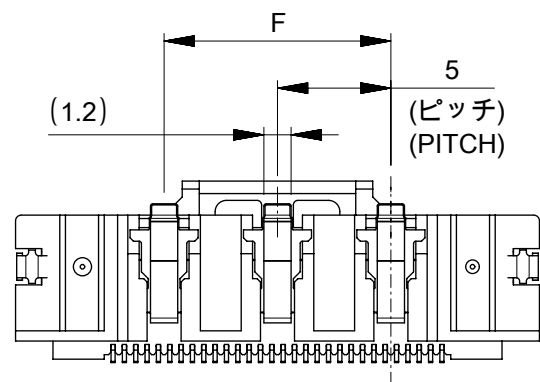
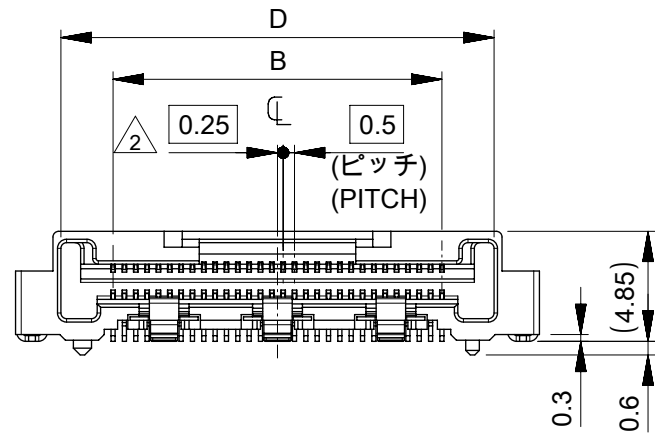
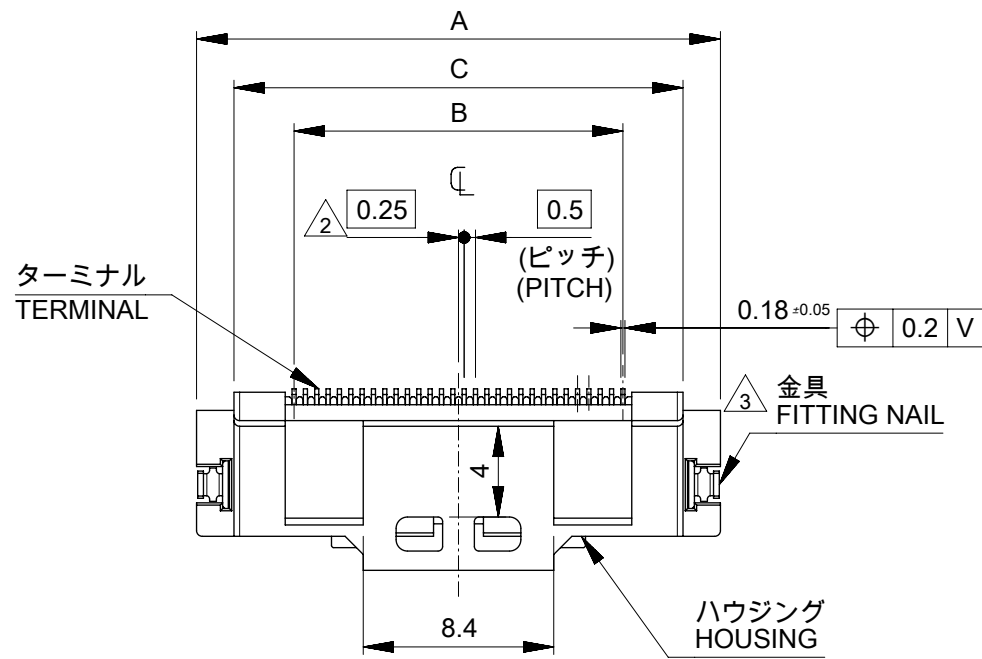
SECT. X-X

56mm幅キャリアテープ
56mm WIDTH CARRIER TAPE

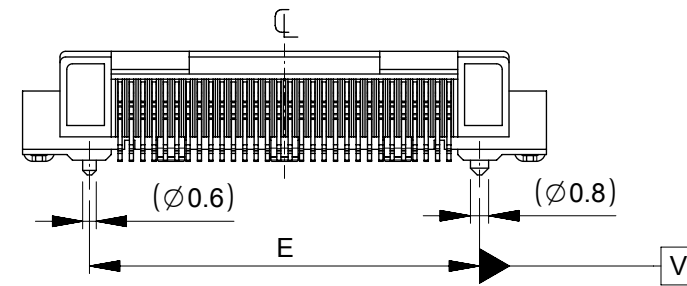
56	57.4	25.6	29.3	33.3	5018645091	50
キャリアテープ幅 CARRIER TAPE WIDTH	D	C	B	A	製品番号 MATERIAL NO.	極数 CKT

THIS DRAWING CONTAINS INFORMATION THAT IS PROPRIETARY TO MOLEX ELECTRONIC TECHNOLOGIES, LLC AND SHOULD NOT BE USED WITHOUT WRITTEN PERMISSION

EC NO: 104542 DRWN: KMKERUR CHK'D: NUKITA APPR: NUKITA	2016/02/22	GENERAL TOLERANCES (UNLESS SPECIFIED) ANGULAR TOL ± 1.0 ° 4 PLACES ± 3 PLACES ± 2 PLACES ± 0.2 1 PLACE ± 0.2 0 PLACES ± 0.2	DIMENSION UNITS	SCALE				
	2016/04/27		mm	NTS				
	2016/04/27		DRWN BY	DATE		KMKERUR	2016/02/22	
			CHK'D BY	DATE		KTANAKA03		
			APPR BY	DATE	PRODUCT CUSTOMER DRAWING			
			NUKITA	2016/04/27	SERIES	MATERIAL NUMBER	CUSTOMER	
			DRAWING SIZE	THIRD ANGLE PROJECTION	501864		GENERAL MARKET	
			A3		DOCUMENT NUMBER	DOC TYPE	DOC PART	SHEET NUMBER
					5018640002	PSD	000	3 OF 3



参考基板レイアウト
P.C. BOARD PATTERN
DIMENSION (REF.)
(マウント面)
(MOUNTING SIDE)

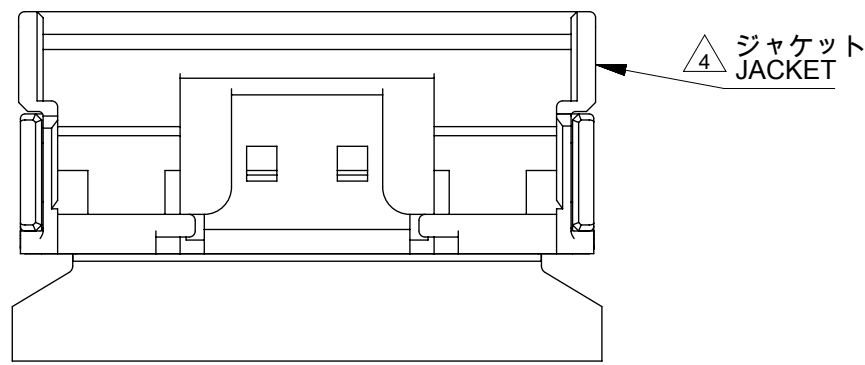


5	20	27.2	29.1	29.8	24.5	33.1	5018645091	50
3	10	17.2	19.1	19.8	14.5	23.1	5018643091	30
QTY OF GROUND TERMINAL		F	E	D	C	B	A	EMBOSSED TAPE PKG. 極数 ORDER No. オーダー番号 CKTS

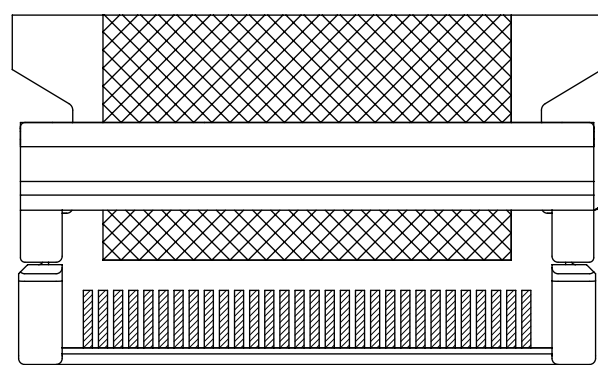
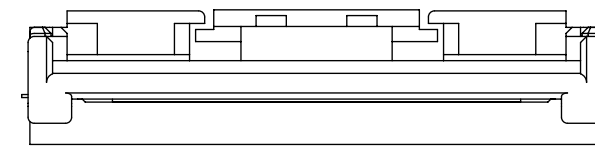
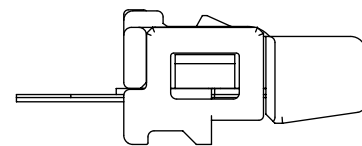
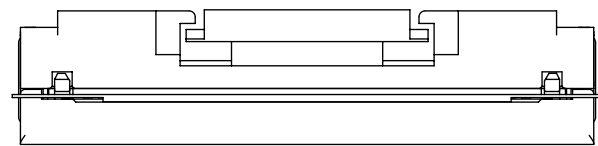
CONNECTOR SERIES No. 501864**31

THIS DRAWING CONTAINS INFORMATION THAT IS PROPRIETARY TO MOLEX ELECTRONIC TECHNOLOGIES, LLC AND SHOULD NOT BE USED WITHOUT WRITTEN PERMISSION

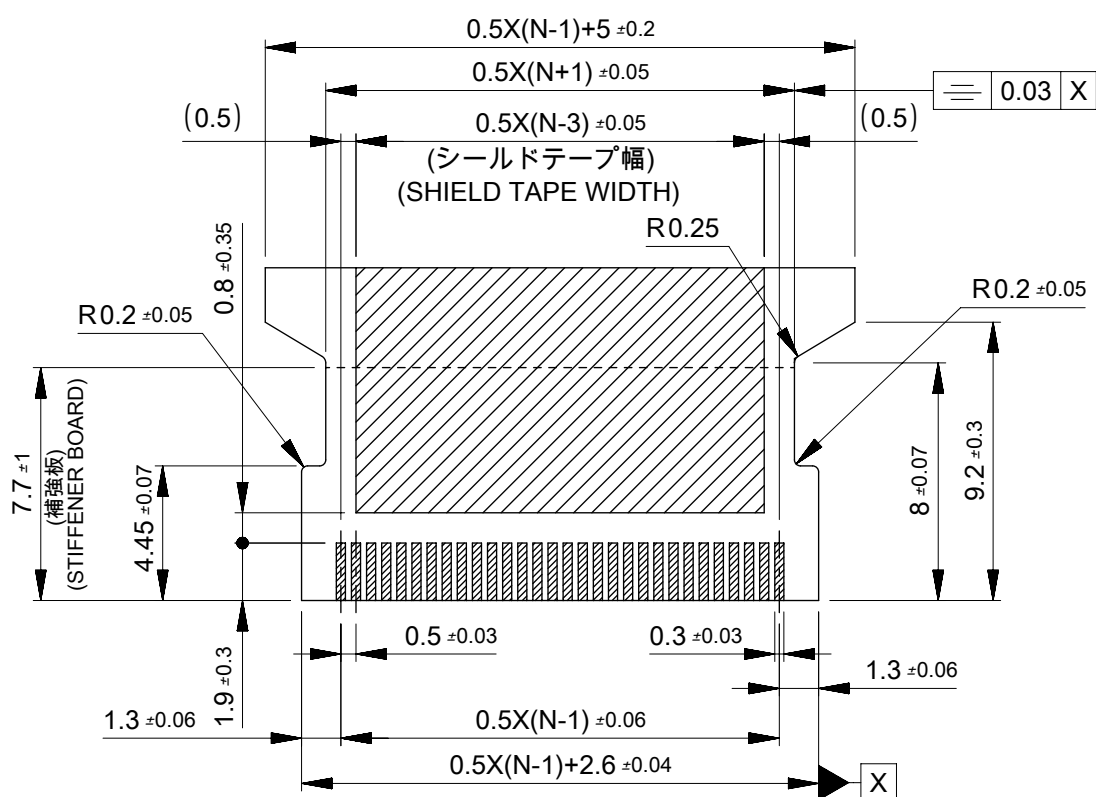
EC NO: 104542 DRWN: KMKERUR CHK'D: NUKITA APPR: NUKITA	2016/02/24	GENERAL TOLERANCES (UNLESS SPECIFIED)		DIMENSION UNITS	SCALE	
	2016/04/27	ANGULAR TOL ± 1.0 °		mm	3:1	
	2016/04/27	4 PLACES ±	KMKERUR	DATE	2016/02/24	
		3 PLACES ±	KTANAKA03	DATE		
		2 PLACES ± 0.2	APPR BY	DATE		PRODUCT CUSTOMER DRAWING SERIES: 501864 MATERIAL NUMBER: SEE CHART CUSTOMER: GENERAL MARKET
		1 PLACE ± 0.2	NUKITA	2016/04/27		
		0 PLACES ± 0.2	DRAWING SIZE	THIRD ANGLE PROJECTION	A3	
		DRAFT WHERE APPLICABLE MUST REMAIN WITHIN DIMENSIONS				DOCUMENT NUMBER: 5018641002 DOC TYPE: PSD DOC PART: 000 SHEET NUMBER: 1 OF 3



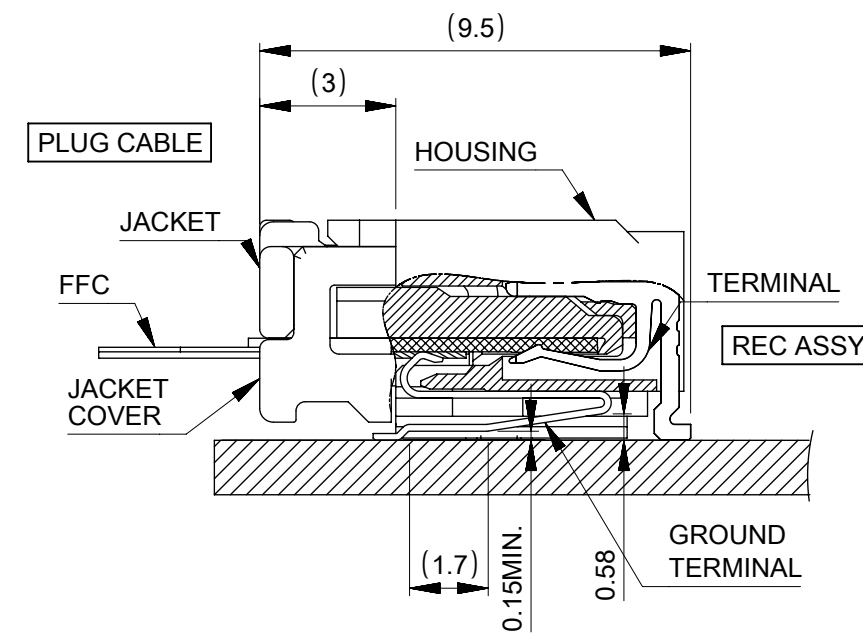
4 ジャケット
JACKET



5 ジャケットカバー
JACKET COVER



コネクタ接点部
CONTACT AREA
シールド部
SHIELD AREA



嵌合断面図
MATED CONNECTOR SECTION

THIS DRAWING CONTAINS INFORMATION THAT IS PROPRIETARY TO MOLEX ELECTRONIC TECHNOLOGIES, LLC AND SHOULD NOT BE USED WITHOUT WRITTEN PERMISSION

EC NO: 104542 DRWN: KMKERUR CHK'D: NUKITA APPR: NUKITA	2016/02/24	GENERAL TOLERANCES (UNLESS SPECIFIED)	DIMENSION UNITS	SCALE	molex			
	2016/04/27		mm	1:1				
	2016/04/27		ANGULAR TOL ± 1.0 °	DRWN BY		DATE		
			4 PLACES ±	KMKERUR		2016/02/24		
	3 PLACES ±	2 PLACES ± 0.2	CHK'D BY	DATE	0.5 FFC TO BOARD CONN REC. HSG ASSY(RA)			
	1 PLACE ± 0.2	0 PLACES ± 0.2	KTANAKA03					
	DRAFT WHERE APPLICABLE MUST REMAIN WITHIN DIMENSIONS		APPR BY	DATE	PRODUCT CUSTOMER DRAWING			
			NUKITA	2016/04/27	SERIES	MATERIAL NUMBER	CUSTOMER	
			DRAWING SIZE	THIRD ANGLE PROJECTION	501864	SEE CHART	GENERAL MARKET	
			A3		DOCUMENT NUMBER	DOC TYPE	DOC PART	SHEET NUMBER
					5018641002	PSD	000	2 OF 3

注記
NOTE

1. 使用材料 MATERIAL

ハウジング : 液晶ポリマー (L C P) , ガラス充填 ,
HOUSING UL94V-0 色 : 黒色
LIQUID CRYSTAL POLYMER(LCP),
GLASS FILLED,UL94V-0 COLOR:BLACK

ターミナル : 燐青銅 (t =0.18)
TERMINAL PHOSPHOR BRONZE(t=0.18)

メッキ仕様
PLATING

接点部 : 金メッキ 0.1マイクロメートル以上
CONTACT AREA : GOLD 0.1 MICROMETER MINIMUM
半田付け部 : 金メッキ 0.05マイクロメートル以上
SOLDER TAIL AREA : GOLD 0.05 MICROMETER MINIMUM
下地メッキ : ニッケルメッキ 1.0マイクロメートル以上
UNDER PLATING : NICKEL 1.0 MICROMETER MINIMUM

金具 : 燐青銅 (t =0.25)
FITTING NAIL PHOSPHOR BRONZE(t=0.25)
錫メッキ 1.0マイクロメートル以上
TIN 1.0MICROMETER MINIMUM
下地メッキ : ニッケルメッキ 1.0マイクロメートル以上
UNDER PLATING : NICKEL 1.0 MICROMETER MINIMUM

グラウンド端子 : 燐青銅 (t =0.15)
GROUND TERMINAL PHOSPHOR BRONZE(t=0.15)
錫メッキ 1.0マイクロメートル以上
TIN 1.0MICROMETER MINIMUM
下地メッキ : ニッケルメッキ 1.0マイクロメートル以上
UNDER PLATING : NICKEL 1.0 MICROMETER MINIMUM

△2 N = 偶数に適用 (N : 極数)
APPLY FOR N=EVEN(N:CIRCUIT)

△3 パターン剥離止め用金具
FITTING NAIL FOR PREVENTION OF PEELING
OF P.C.B PATTERN.

△4 <30極品>
適合ジャケット : 5017833009
製品詳細寸法は5017832000 DOC.PART 001を参照下さい。
<50極品>
適合ジャケット : 5031505009
製品詳細寸法は5031502000 DOC.PART 000を参照下さい。
<30CKT>
APPLICABLE JACKET:5017833009.
RE DETAILED DIMENSION,SEE 5017832000 DOC.PART 001.
<50CKT>
APPLICABLE JACKET:5031515009.
RE DETAILED DIMENSION,SEE 5031502000 DOC.PART 000.

△5 <30極品>
適合ジャケットカバー : 5017843008
製品詳細寸法は5017842001 DOC.PART 000を参照下さい。
<50極品>
適合ジャケットカバー : 5031515009
製品詳細寸法は5031512000 DOC.PART 000を参照下さい。
<30CKT>
APPLICABLE JACKET:5017843008.
RE DETAILED DIMENSION,SEE 5017842001 DOC.PART 000.
<50CKT>
APPLICABLE JACKET:5031515009.
RE DETAILED DIMENSION,SEE 5031512000 DOC.PART 000.

6. ELV及びRoHS適合品
ELV AND RoHS COMPLIANT

THIS DRAWING CONTAINS INFORMATION THAT IS PROPRIETARY TO MOLEX ELECTRONIC TECHNOLOGIES, LLC AND SHOULD NOT BE USED WITHOUT WRITTEN PERMISSION												
EC NO: 104542 DRWN: KMKERUR CHK'D: NUKITA REV APPR: NUKITA	2016/02/24	GENERAL TOLERANCES (UNLESS SPECIFIED)		DIMENSION UNITS	SCALE	molex						
	2016/04/27	ANGULAR TOL ± 1.0 °		mm	1:1							
	2016/04/27	4 PLACES ±	DRWN BY DATE	KMKERUR 2016/02/24		0.5 FFC TO BOARD CONN REC. HSG ASSY(RA)						
		3 PLACES ±		CHK'D BY DATE								
		2 PLACES ± 0.2	APPR BY DATE		KTANAKA03		PRODUCT CUSTOMER DRAWING					
		1 PLACE ± 0.2	NUKITA 2016/04/27		SERIES	MATERIAL NUMBER	CUSTOMER					
	0 PLACES ± 0.2	DRAWING SIZE	THIRD ANGLE PROJECTION	501864	SEE CHART	GENERAL MARKET						
A	REV	DRAFT WHERE APPLICABLE MUST REMAIN WITHIN DIMENSIONS		A3		DOCUMENT NUMBER	DOC TYPE	DOC PART	SHEET NUMBER			
						5018641002	PSD	000	3 OF 3			