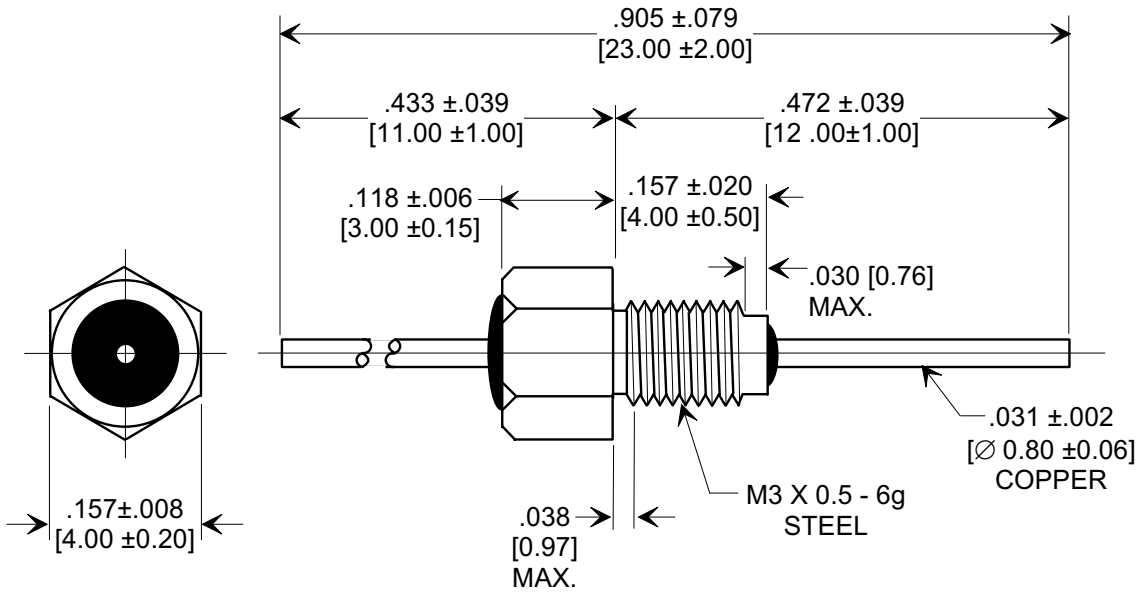
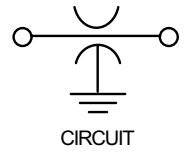
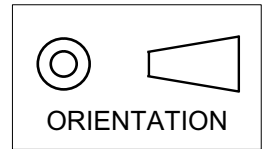
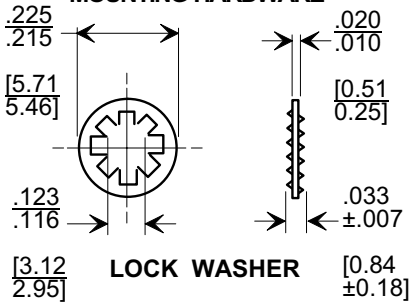


**MARKETING SALES DRAWING**  
**DIMENSIONS IN INCHES - DO NOT SCALE THIS DRAWING**  
**DIMENSIONS IN METRIC [ ]**

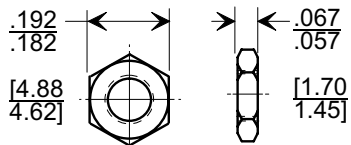
Electrical Testing  
per Tusonix standard  
test plans and Mil-Std-202  
Test Methods.



**MOUNTING HARDWARE**



**LOCK WASHER**



**HEX NUT**

**NOTES:**

- TUSONIX STANDARD PART NUMBER: 4400-097.  
TUSONIX RoHS COMPLIANT PART NUMBER: 4400-097 LF.  
CUSTOMER MUST SPECIFY STANDARD OR RoHS PART NUMBER WHEN ORDERING.
- MATERIAL: BUSHING; SILVER PLATED. LEAD; SILVER PLATED.
- PART MARKING: TRADEMARK AND VARIATION NUMBER ON HEX FLATS. STANDARD PART: BLACK INK. RoHS PART: GREEN INK.
- OPERATING TEMP. RANGE: -55°C TO +125°C.
- MAX. RECOMMENDED SOLDERING TEMPERATURE : 260° C.
- SUPPLIED WITH SILVER PLATED INTERNAL TOOTH LOCK WASHER.
- MAX. RECOMMENDED MOUNTING TORQUE : 2.0 Lb. in. [.226 Nm.]

CAP.(pf)	TOLERANCE	DC WORKING VOLTAGE		DC CURRENT (AMPS)	I.R. MIN. @ 100 (VDC)	DWV (VDC)	MIN. NO LOAD INSERTION LOSS (db) @ 25°C PER MIL-STD-220				
		85°C	125 °C				1 MHz	10 MHz	100 MHz	1 GHz	10 GHz
2700	GMV	150	100	10	10 G Ω	250	---	10	25	40	50

<b>REVISION RECORD</b> Original Release C.O. <b>20000104-1-07</b> ORIENTATION SYMBOL ADDED DWV (VDC) 500 DELETED L.E. 04-14-00 <b>20000410-2-06</b> ADDED IR & DWV, REVISED & ADDED NOTES. S.M. 12-01-05 <b>20051128-1-17</b>	<b>0</b>	<b>TUSONIX</b> TUCSON, ARIZONA	<b>--TOLERANCES--</b> Unless Otherwise Specified	Title <b>BUSHING STYLE EMI FILTER</b>
	DECIMAL ±		Drawn S.M. 01-07-00 Scale 5 X	
	ANGLES ±			Approved J.Mc. 01-07-00 <b>A</b>
	<b>4400-097</b>			

# Mouser Electronics

Authorized Distributor

Click to View Pricing, Inventory, Delivery & Lifecycle Information:

[Tusonix / CTS:](#)

[4400-097LF](#)