

LOC A1	DIST —	REVISIONS					
		P	LTR	DESCRIPTION	DATE	DWN	APVD
ÄNDERUNGEN, DIE DEM TECHNISCHEN FORTSCHRITT DIENEN, BEHALTEN WIR UNS VOR			A2	REVISED PER ECO-11-005301	02MAR11	RK	HMR

RELEASED FOR PUBLICATION

ALL RIGHTS RESERVED.


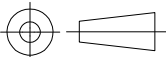
THIS DRAWING IS UNPUBLISHED.

By —
COPYRIGHT —

SIEHE ZEICHNUNG
826 629 BLATT 2

VON DIESER ZEICHNUNG GIBT ES KEIN ORIGINAL

BESTELL-NR.	WERKSTOFF	OBERFLÄCHE FARBE
-------------	-----------	---------------------

DIMENSIONS: mm	DWN —	MATERIAL —	FINISH —
TOLERANCES UNLESS OTHERWISE SPECIFIED:	CHK —	 TE Connectivity	
0 PLC ± — 1 PLC ± — 2 PLC ± — 3 PLC ± — 4 PLC ± — ANGLES ± —	APVD —		
	PRODUCT SPEC —	NAME AMPMODU II STIFTLAISTE ZWEIREIHIG	
	APPLICATION SPEC —	SIZE A4	CAGE CODE 00779
	WEIGHT —	DRAWING NO C-826656	RESTRICTED TO —
		CUSTOMER DRAWING	
		SCALE —	SHEET 1 OF 1 REV A2

Mouser Electronics

Authorized Distributor

Click to View Pricing, Inventory, Delivery & Lifecycle Information:

[TE Connectivity:](#)

[1-826656-6](#)