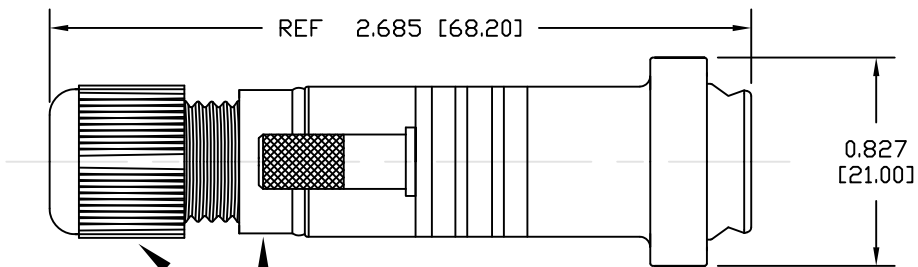
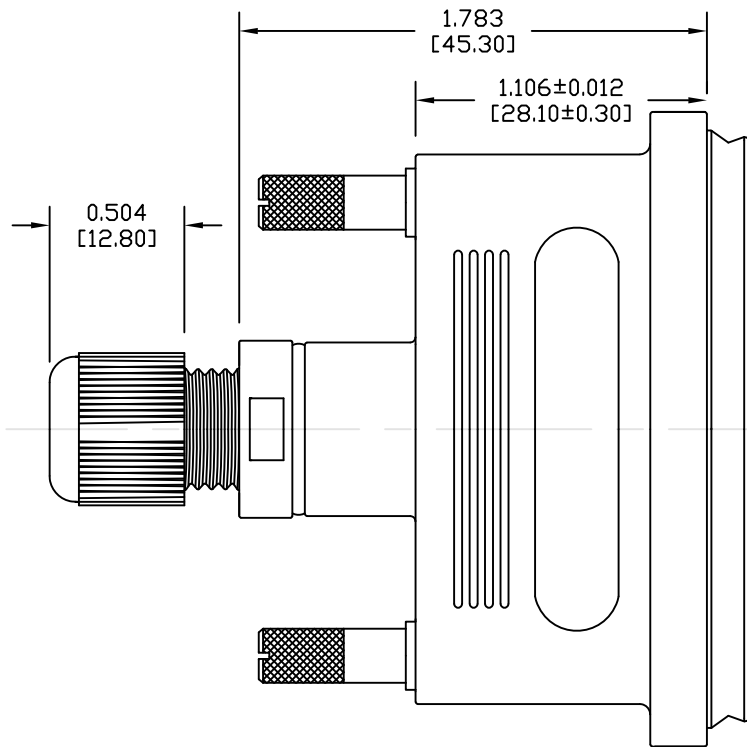


DESCRIPTION: IP67 - 25 POSITION PLASTIC BACKSHELL - ONLY



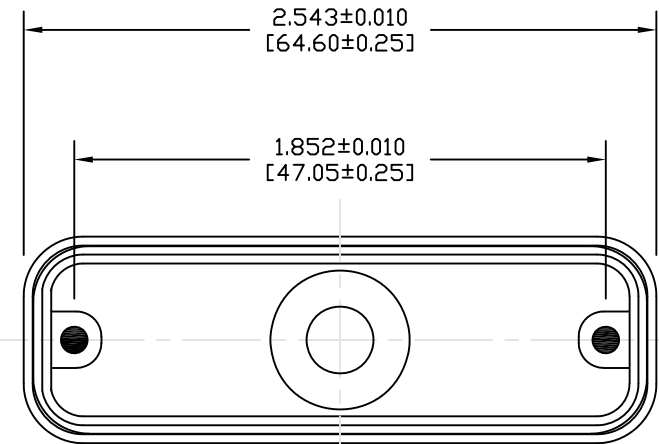
TORQUE SETTING  
6.075-9.547 in.lbs  
[7-11 kgf.cm]

**MATERIAL & FINISH:**

BACKSHELL: ABS - UL HB RATED, BLACK COLOR  
 BUSHINGS & BAFFLE: SILICONE  
 4-40 THUMBSCREWS: BRASS, NICKEL PALTED  
 TEMPERATURE: ABS: 0°C TO +80°C  
 SILICON: -35°C TO +116°C  
 CABLE DIAMETER: 0.350 inches [8.89mm] Max.  
 0.130 inches [3.30mm] Min.

**MATING PANEL:**

\*INTENDED TO MATE TO REAR MOUNTED DSUB  
 RECOMMENDED MAX PANEL THICKNESS: 0.065"  
 RECOMMENDED MIN PANEL THICKNESS: 0.040"



DO NOT SCALE FROM DRAWING



THESE DRAWINGS AND SPECIFICATIONS ARE THE PROPERTY OF NorComp AND SHALL NOT BE REPRODUCED, COPIED OR USED AS THE BASIS FOR THE MANUFACTURE OF SALE OF APPARATUS WITHOUT WRITTEN PERMISSION.

DRAWN: M. SIGMON		DATE: 12-15-10	
SCALE: NTS	SHEET 1	OF 1	REV 6
DWG NO.		967-025-010R011	

**NorComp**

RoHS COMPLIANT

# Mouser Electronics

Authorized Distributor

Click to View Pricing, Inventory, Delivery & Lifecycle Information:

[NorComp:](#)

[967-025-010R011](#)