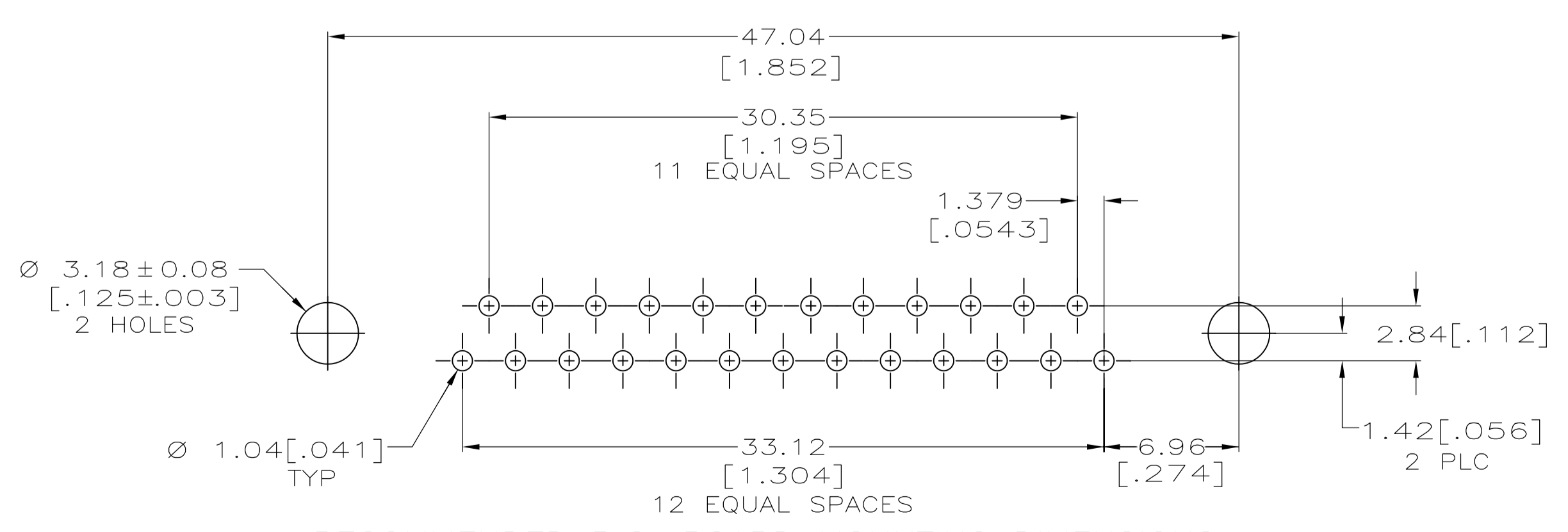
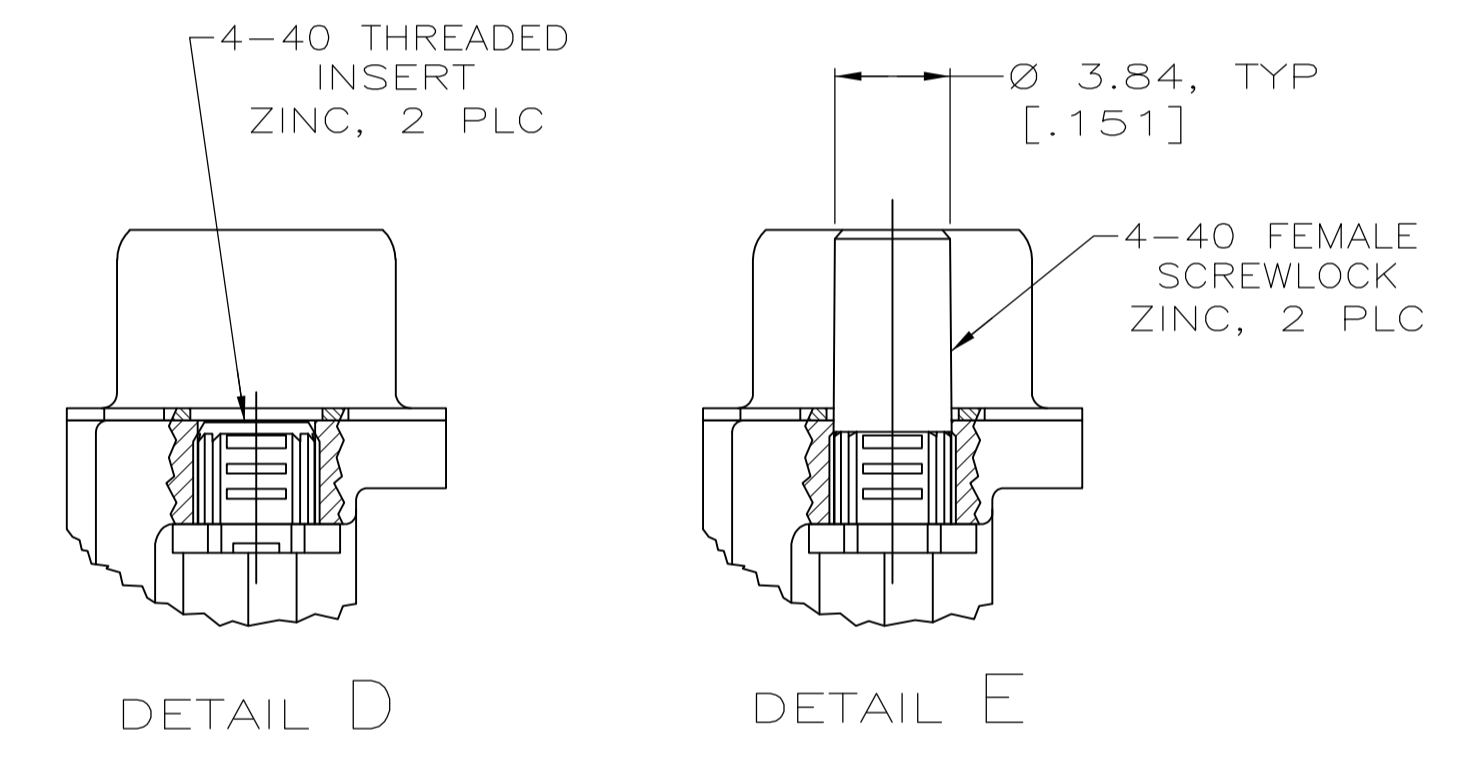
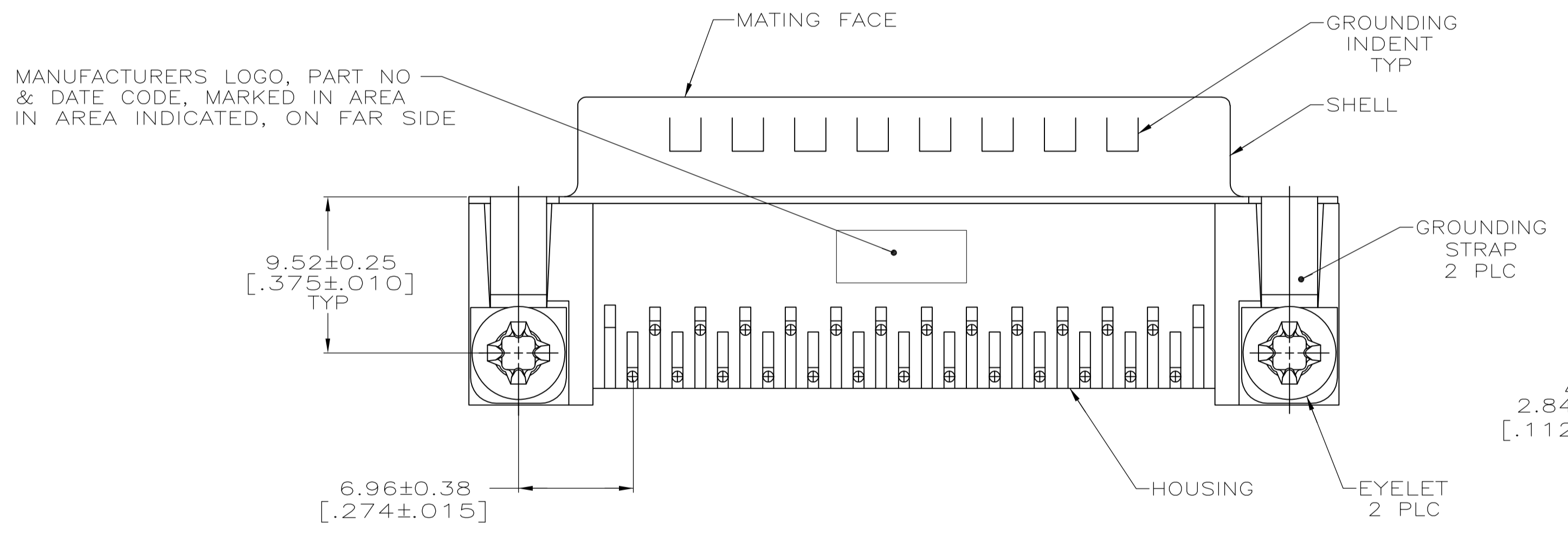


- 1 HOUSING: NYLON OR POLYESTER, FLAME RETARDANT, UL 94V-0 RATED, GLASS FILLED, BLACK.  
CONTACTS: BRASS.  
SHELL: CARBON STEEL.  
EYELETS: BRASS.  
BOARDLOCKS: COPPER ALLOY.
- 2 SHELL: 2.54µm[.000100] MIN TIN OVER 1.27µm[.000050] MIN COPPER.  
EYELETS: 5.08µm[.000200] MIN TIN OVER COPPER FLASH.  
CONTACTS: SEE TABLE.  
BOARDLOCKS: 5.08µm[.000200] MIN TIN OVER 1.27µm[.000050] MIN NICKEL.  
INSERTS: CLEAR CHROMATE.  
SCREWLOCKS: CLEAR CHROMATE.
- 3 GOLD FLASH ON THE MATING SURFACES, 2.54µm[.000100] MIN TIN PLATE ON THE SOLDER END, 1.27µm[.000050] MIN NICKEL UNDERPLATE ON THE ENTIRE CONTACT.
- 4 0.76µm[.000030] MIN GOLD PLATE ON THE MATING SURFACES, 2.54µm[.000100] MIN TIN PLATE ON THE SOLDER END, 1.27µm[.000050] MIN NICKEL UNDERPLATE ON THE ENTIRE CONTACT -OR- GOLD FLASH OVER PALLADIUM-NICKEL PLATE, 0.76µm[.000030] MIN TOTAL ON THE MATING SURFACES, 2.54µm[.000100] MIN TIN PLATE ON THE SOLDER END, 1.27µm[.000050] MIN NICKEL UNDERPLATE ON THE ENTIRE CONTACT.
- 5 DIMENSION APPLIES FROM CENTER OF CONTACTS.



SEE DETAIL E	4	5747842-6
SEE DETAIL D	3	5747842-5
	4	5747842-4
	3	5747842-3
	2	5747842-2
MOUNTING HARDWARE	CONTACT FINISH	PART NO

**COPYRIGHT 2005 TYCO ELECTRONICS CORP ALL RIGHTS RESERVED**

THIS DRAWING IS A CONTROLLED DOCUMENT. DIMENSIONING AND TOLERANCING PER ASME Y14.5M-2009

DIMENSIONS: mm(INCHES)	TOLERANCES UNLESS OTHERWISE SPECIFIED:	DIN G. ATTADIA - DOCKS 04-12-05	APVD M. WALMSLEY 04-12-05	NAME PLUG ASSEMBLY, SIZE 3, 25 POSITION, RIGHT ANGLE, FRONT METAL SHELL, .318 SERIES, BOARDLOCKS, AMPLIMITE HD-20
0 PLC ± -	1 PLC ± -	2 PLC ± 0.13[.005]	3 PLC ± -	PRODUCT SPEC 108-40025
4 PLC ± -	ANGLES ± -	FINISH	APPLICATION SPEC 114-40010	SIZE 114-40010
MATERIAL	FINISH	WEIGHT	SCALE 4:1	SHEET 1 OF 1
1	2	CUSTOMER DRAWING	REV C	

STE TE Connectivity

# Mouser Electronics

Authorized Distributor

Click to View Pricing, Inventory, Delivery & Lifecycle Information:

[TE Connectivity:](#)

[5747842-2](#)