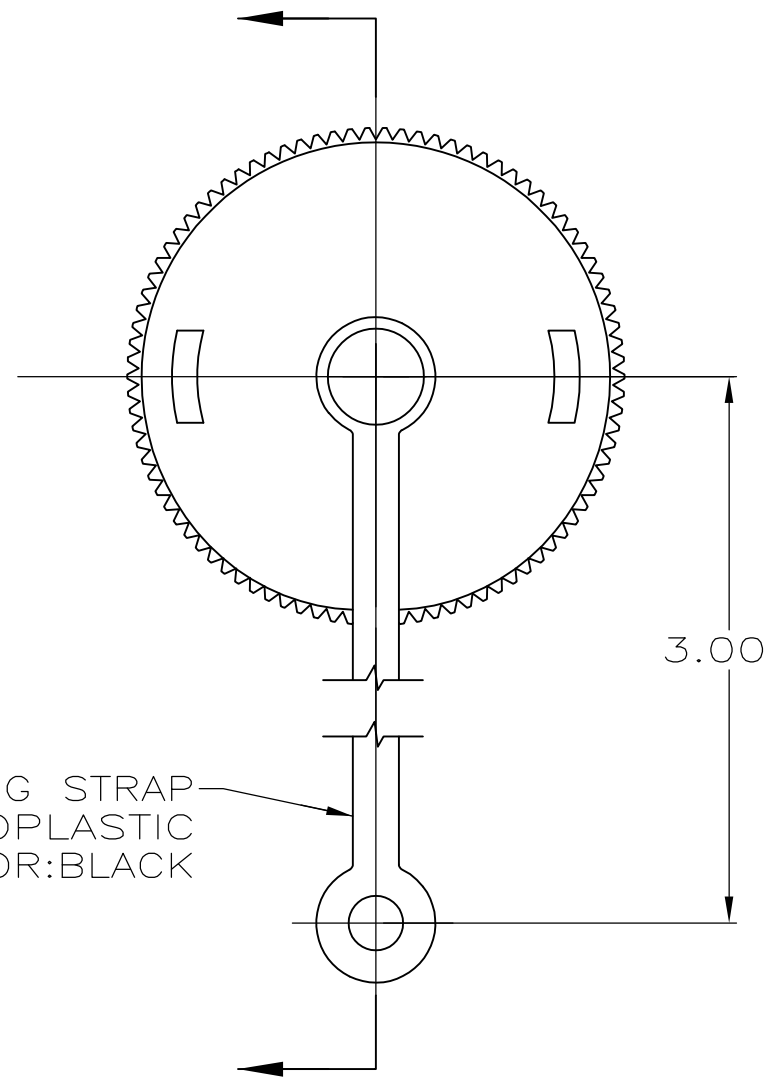


THIS DRAWING IS UNPUBLISHED. RELEASED FOR PUBLICATION
 © COPYRIGHT - By - ALL RIGHTS RESERVED.

LOC	DIST	REVISIONS			
P	LTR	DESCRIPTION	DATE	DWN	APVD
FT	4	G1	REVISED PER ECO-11-004820	11MAR11	RK HMR



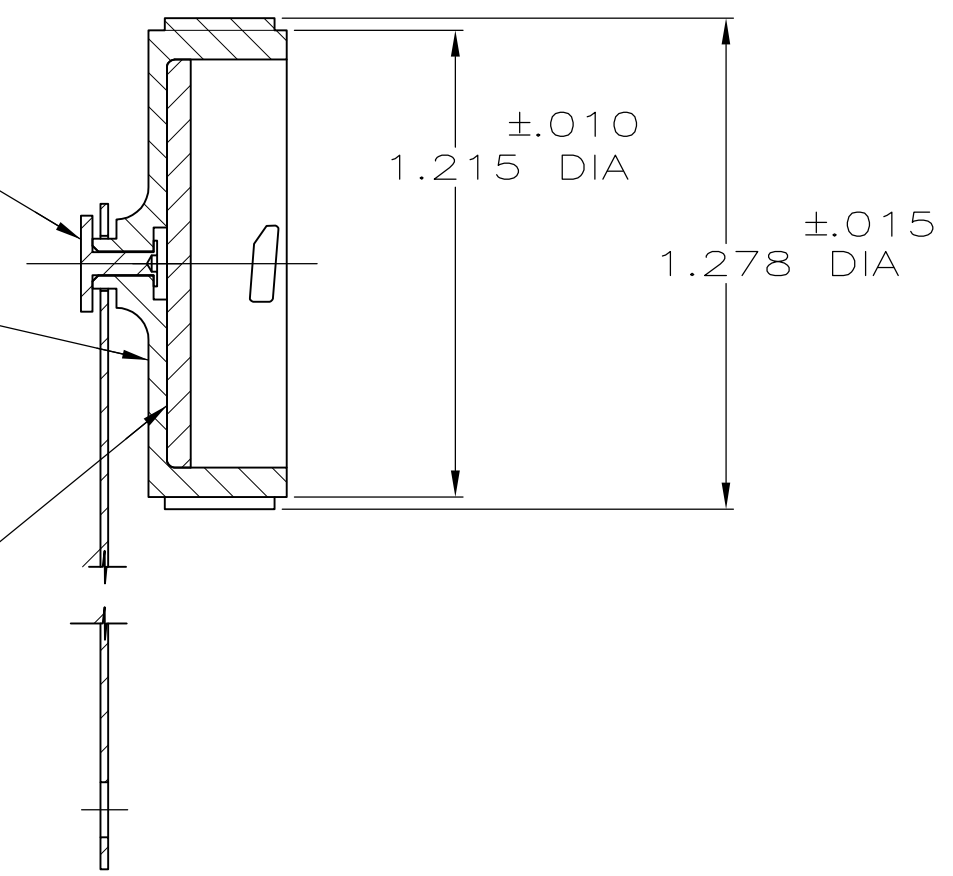
MOUNTING STRAP
 MATERIAL:THERMOPLASTIC
 COLOR:BLACK

3.000±.030

RIVET
 MATERIAL:CARBON STEEL
 FINISH:ZINC PLATE
 W/CLEAR CHROMATE

SEALING CAP
 MATERIAL:THERMOPLASTIC
 COLOR:BLACK

SEALING GASKET
 MATERIAL:NEOPRENE
 RUBBER
 SEE TABLE



SUPERCEDED BY 207445-3

YES	YES	207445-3
YES	NO	207445-2
NO	YES	207445-1
ROHS COMPLIANT	SEALING GASKET	PART NUMBER

THIS DRAWING IS A CONTROLLED DOCUMENT.		DWN S.RIDGLEY 7/30/90 BG	STE TE Connectivity	
DIMENSIONS: INCHES		CHK R.STONE 4-26-91		
TOLERANCES UNLESS OTHERWISE SPECIFIED:		APVD K.BEAVER 4-30-91	NAME	
0 PLC ± -		PRODUCT SPEC	SEALING CAP ASSY, SIZE 17, CPC	
1 PLC ± -		APPLICATION SPEC	RESTRICTED TO	
2 PLC ± -		WEIGHT -	SIZE A3	CAGE CODE 00779
3 PLC ± .005		CUSTOMER DRAWING	DRAWING NO C-207445	SCALE 2:1
4 PLC ± -			SHEET 1 OF 1	REV G1
ANGLES ± -				
MATERIAL SEE CALLOUTS				
FINISH SEE CALLOUTS				

Mouser Electronics

Authorized Distributor

Click to View Pricing, Inventory, Delivery & Lifecycle Information:

[TE Connectivity:](#)

[207445-3](#)