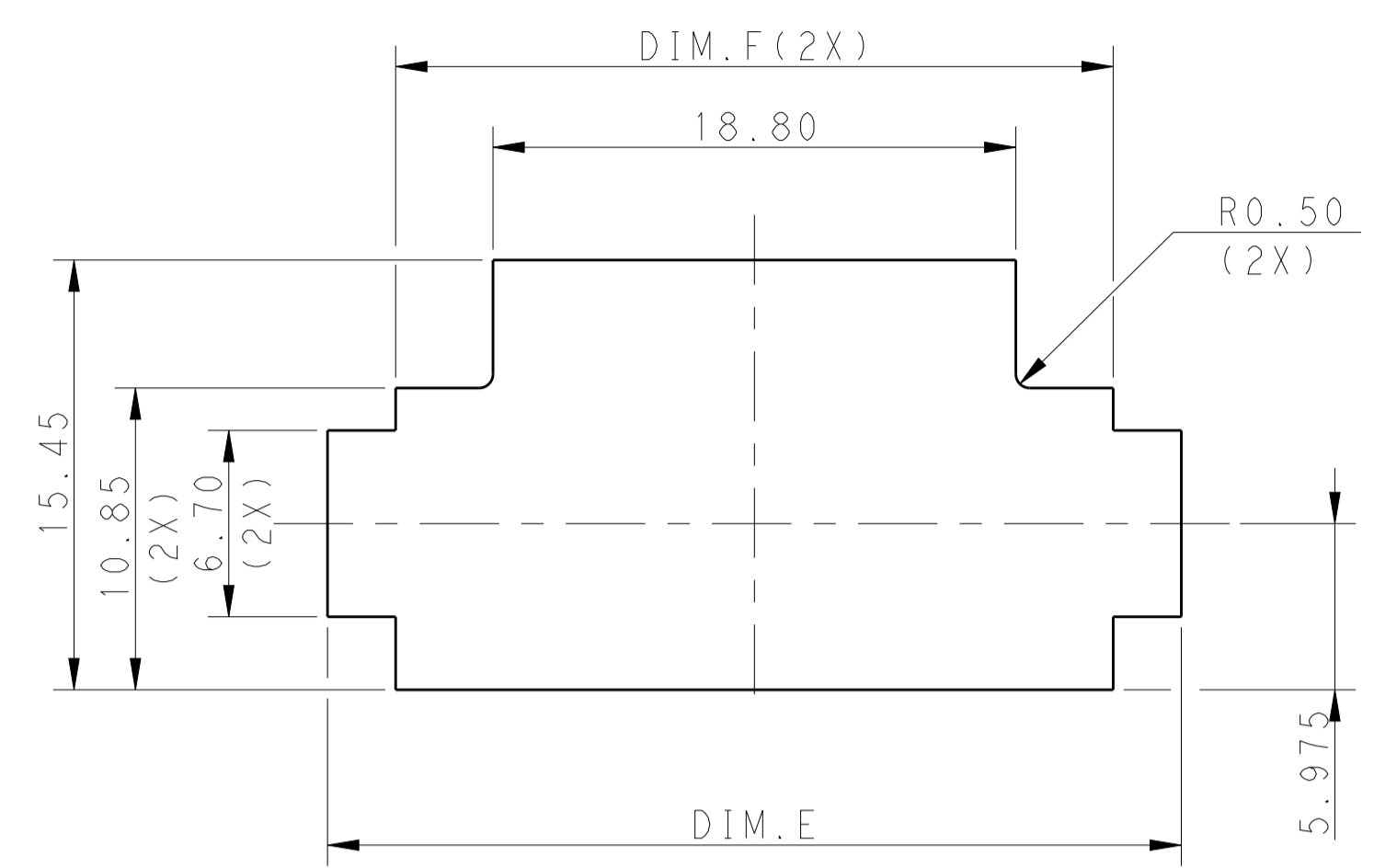
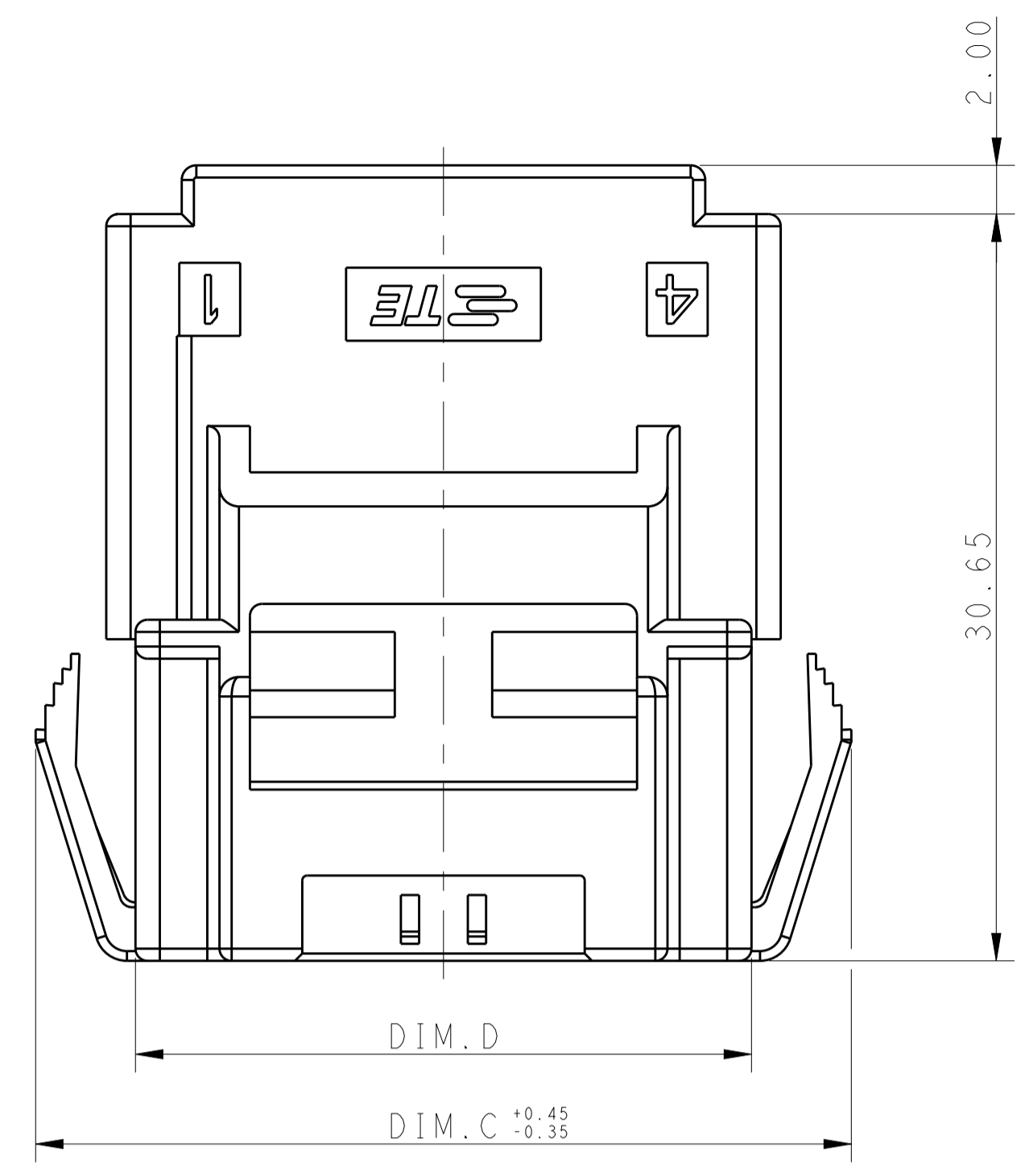


LOC		DIST		REVISIONS			
P	LTN	DESCRIPTION	DATE	DWN	APVD		
	C	REVISED PER ECR-16-003247	14JUL2016	BW	GJ		

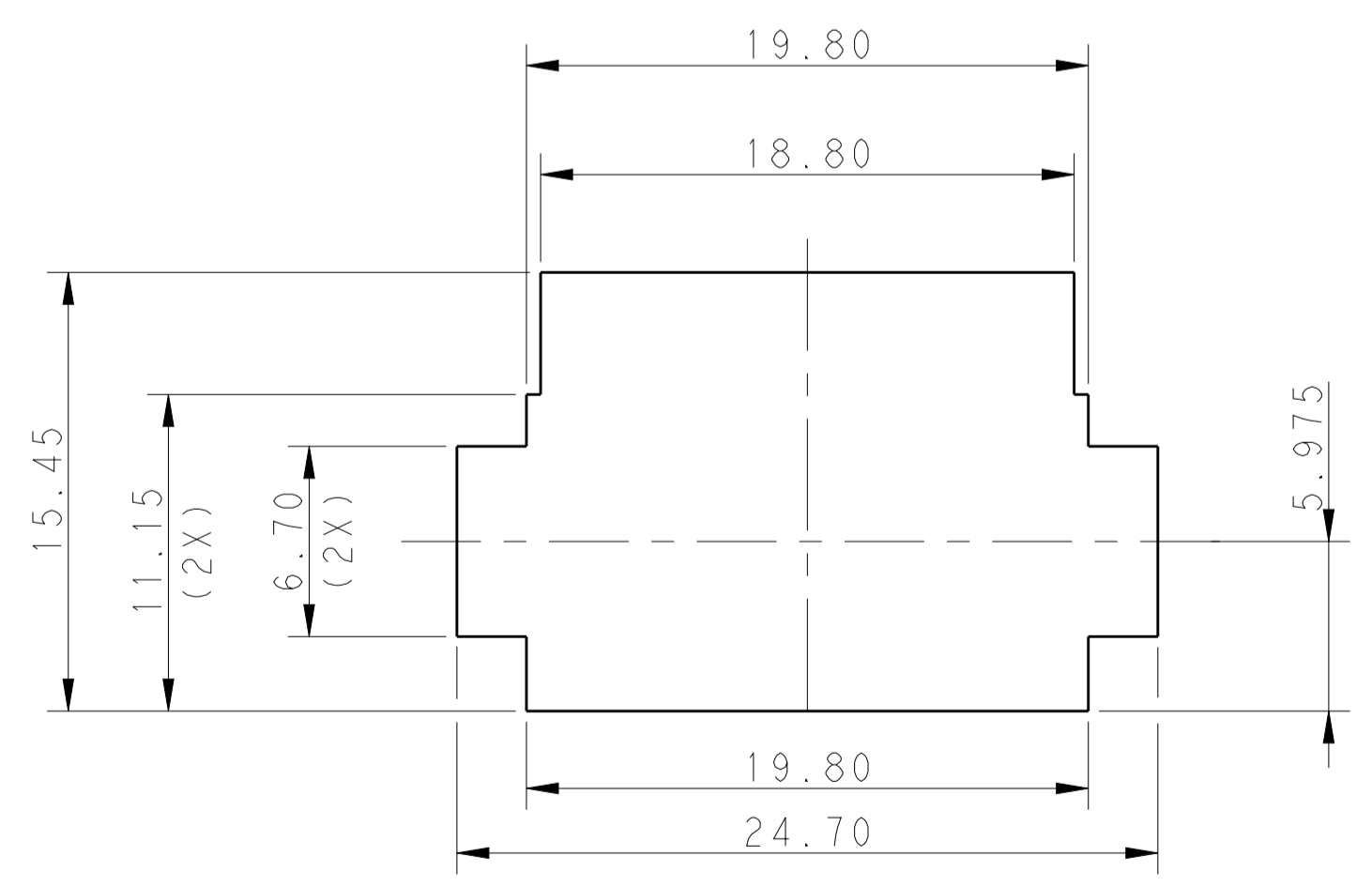
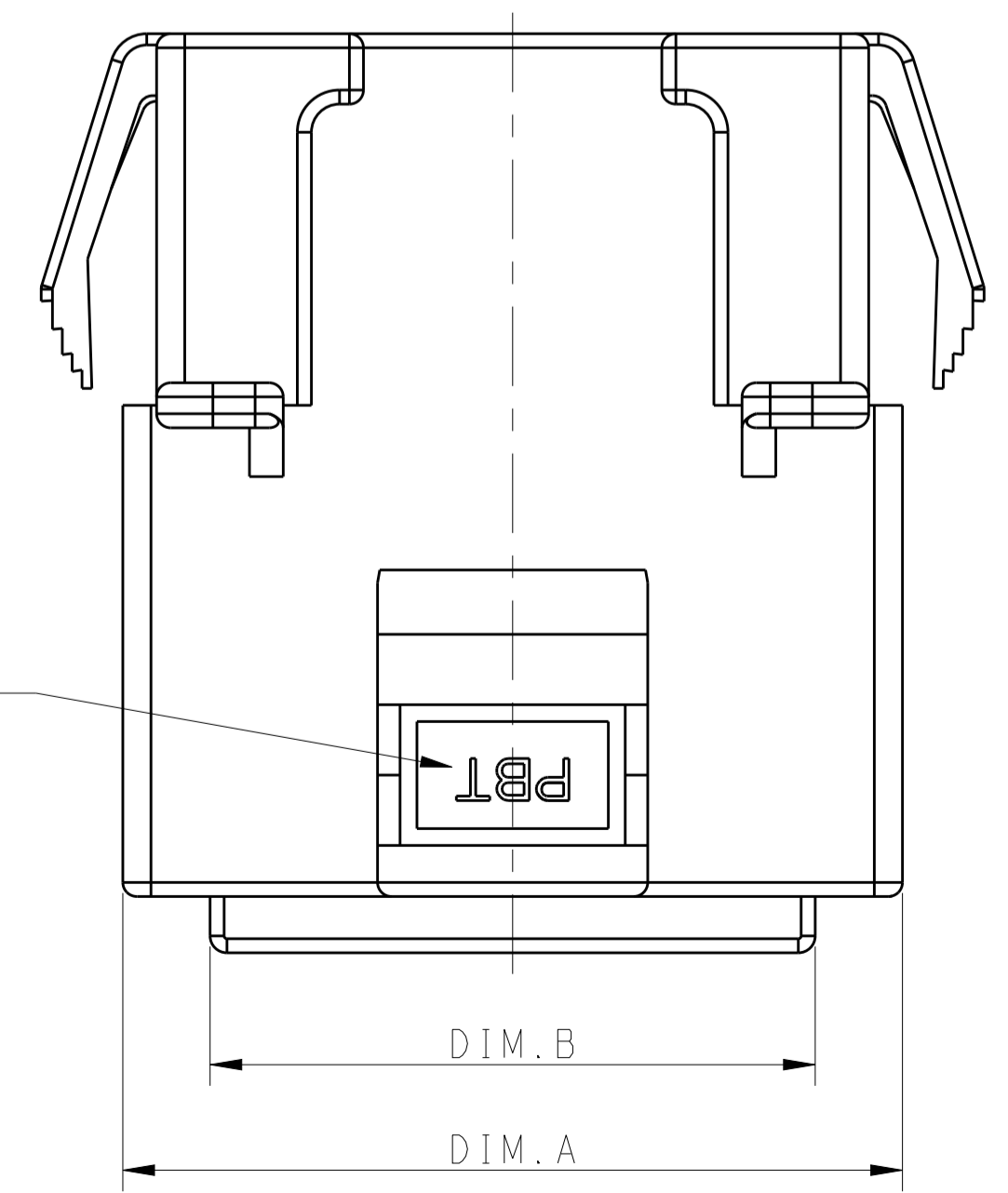
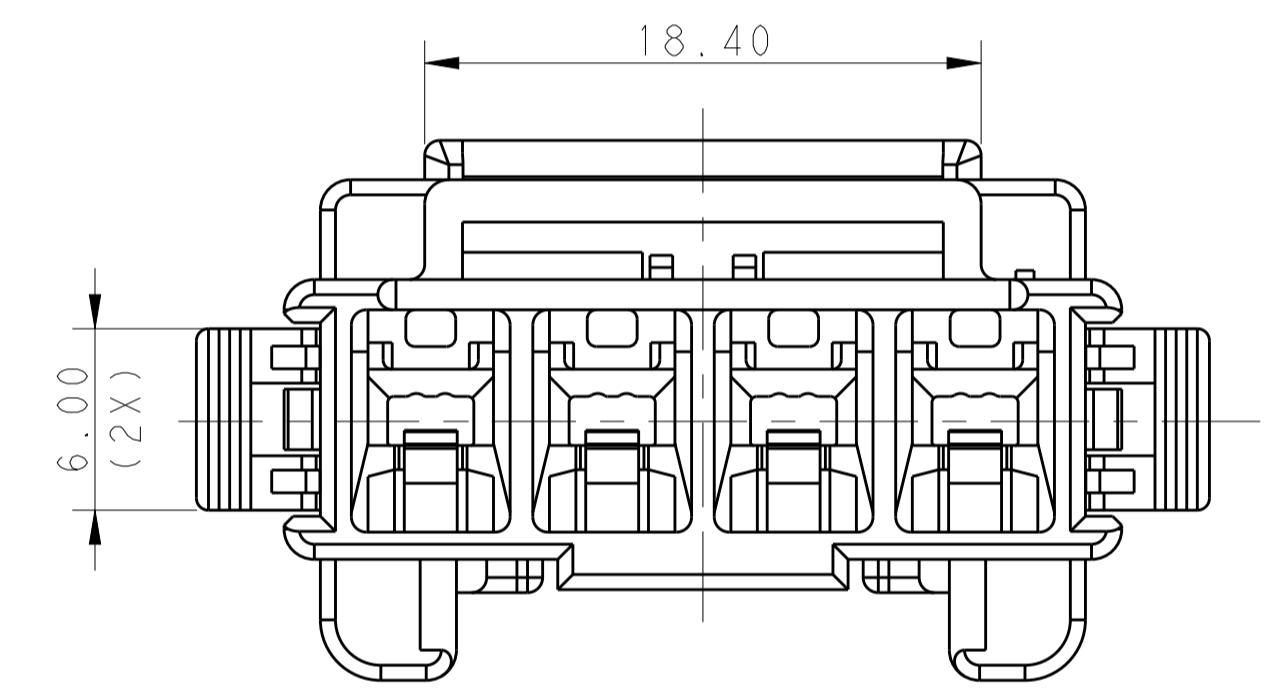
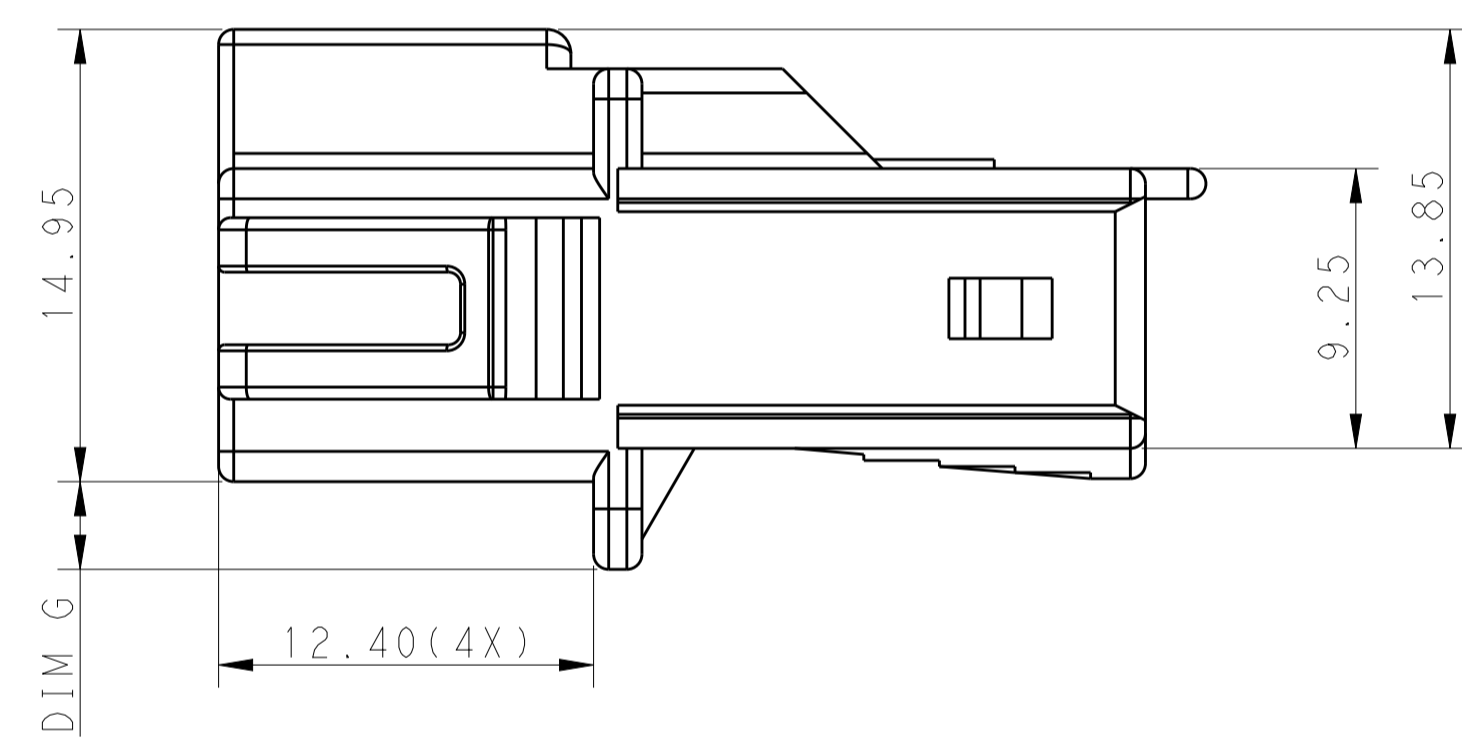
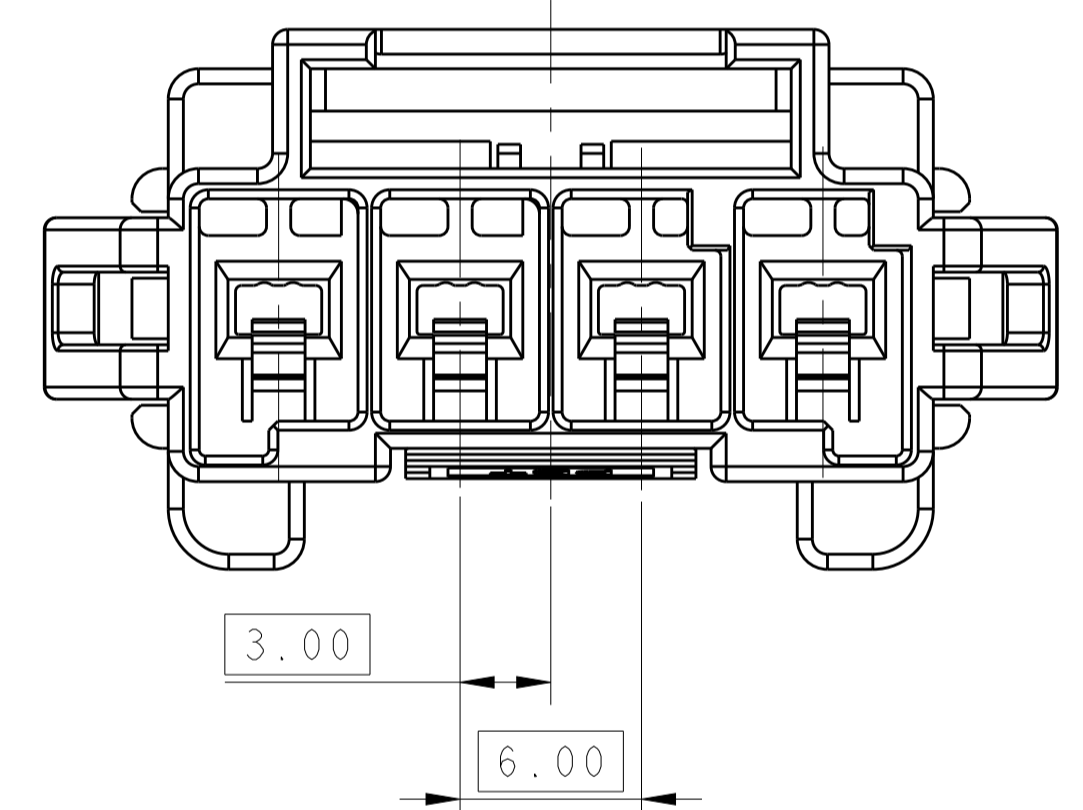


RECOMMENDED PANEL OPENING DIMENSIONS FOR CAP HOUSING 1\*5 AND 1\*4 POSITIONS (TOLERANCE: ±0.15mm)

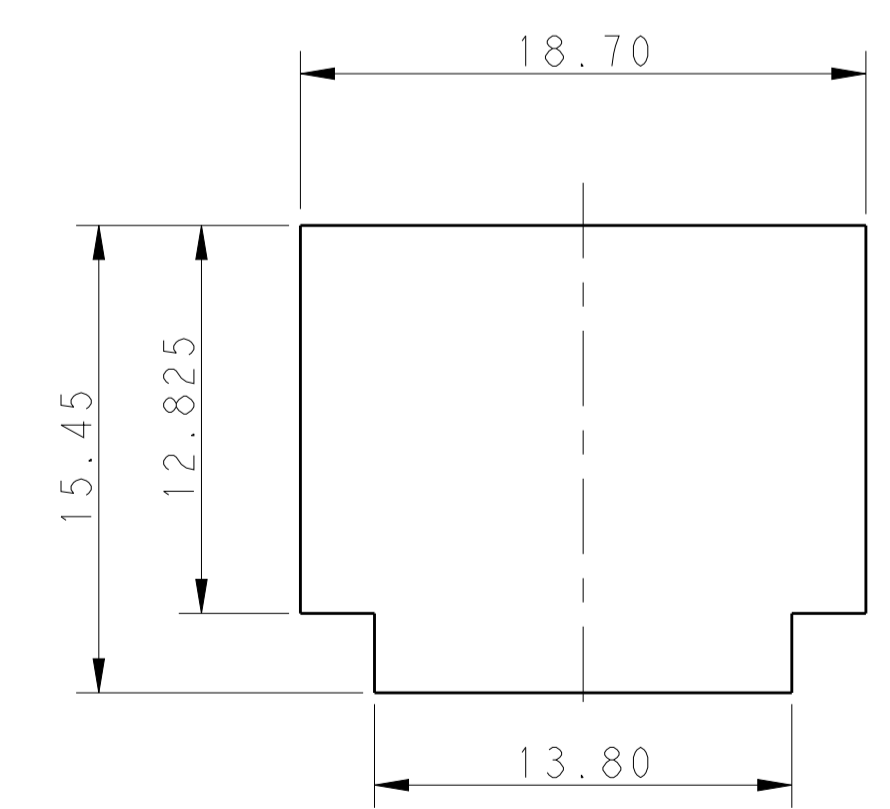
△ MATERIAL:  
 LEVEL 1:PBT, STANDARD TEMPERATURE 105°C  
 KEY A:NATURAL; KEY B:PURPLE; KEY C:BLUE; KEY D:YELLOW  
 LEVEL 2:NYLON, HIGH TEMPERATURE 150°C  
 KEY A:LIGHT GREY; KEY B:RED; KEY C:BLACK; KEY D:NATURAL

△ MATERIAL MARK:  
 LEVEL 1:PBT, LEVEL 2:HDT  
 3 APPLICABLE CONTACT P/N  
 TAB CONTACT:1971238/1971780/82/84/86/88-\*,2238067-  
 4 MATING CONN, P/N  
 PLUG HSG:\*-1971773-  
 TPA (LOCK PLATE):\*-1971777-  
 5 RECOMMENDED PANEL THICKNESS:1.0-2.0mm

6 THIS PRODUCT HAS NOT COMPLETED VALIDATION TESTING



RECOMMENDED PANEL OPENING DIMENSIONS FOR CAP HOUSING 1\*3 POSITION (TOLERANCE: ±0.15mm)



RECOMMENDED PANEL OPENING DIMENSIONS FOR CAP HOUSING 1\*2 POSITION (TOLERANCE: ±0.15mm)

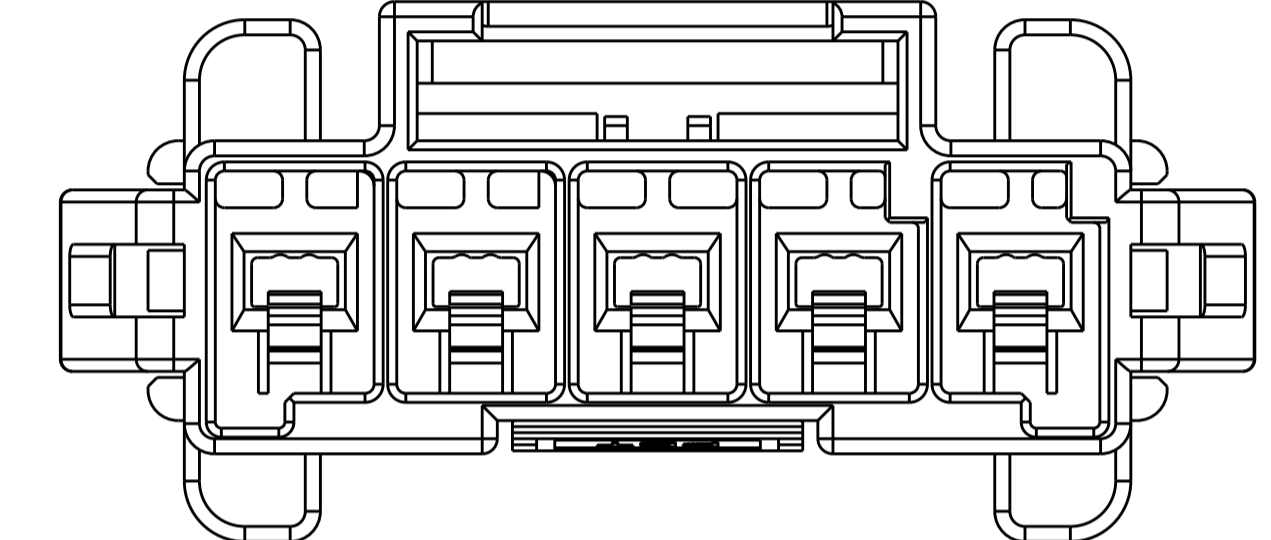
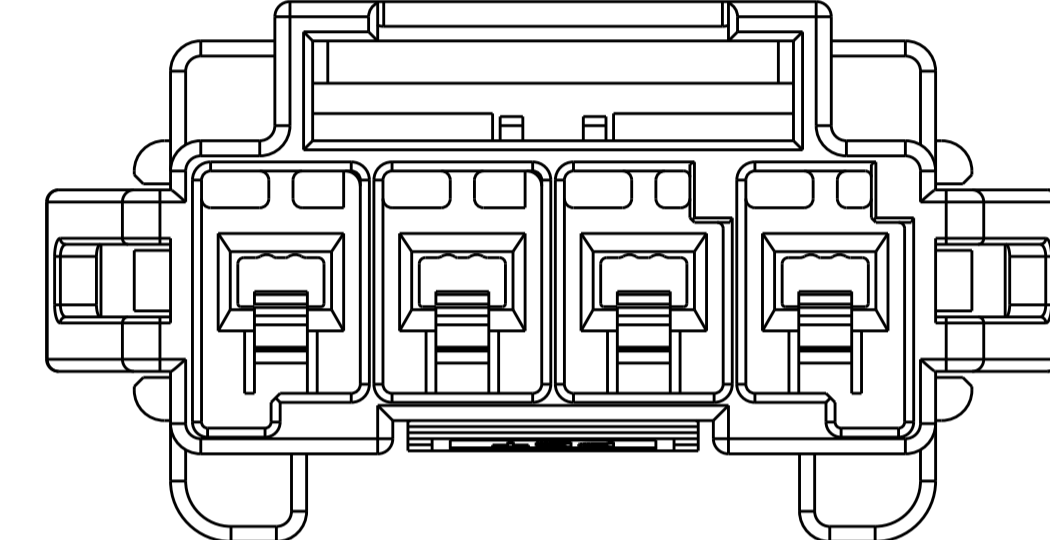
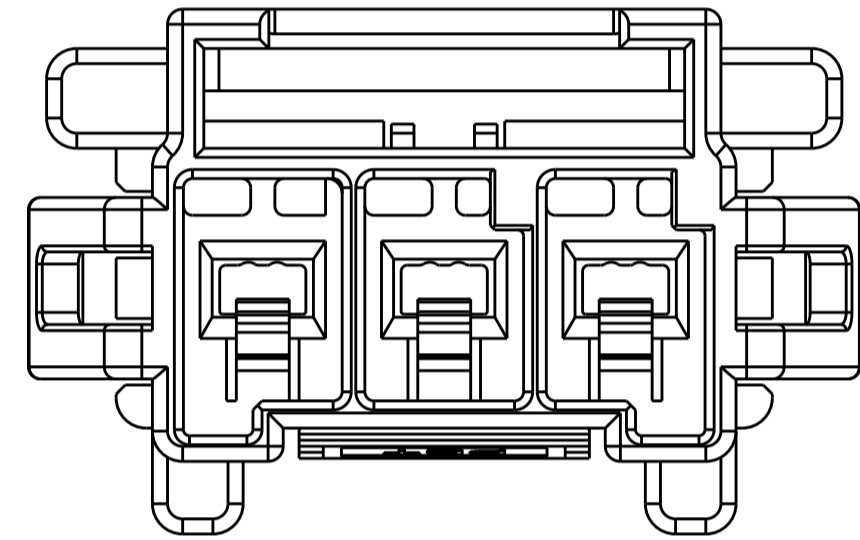
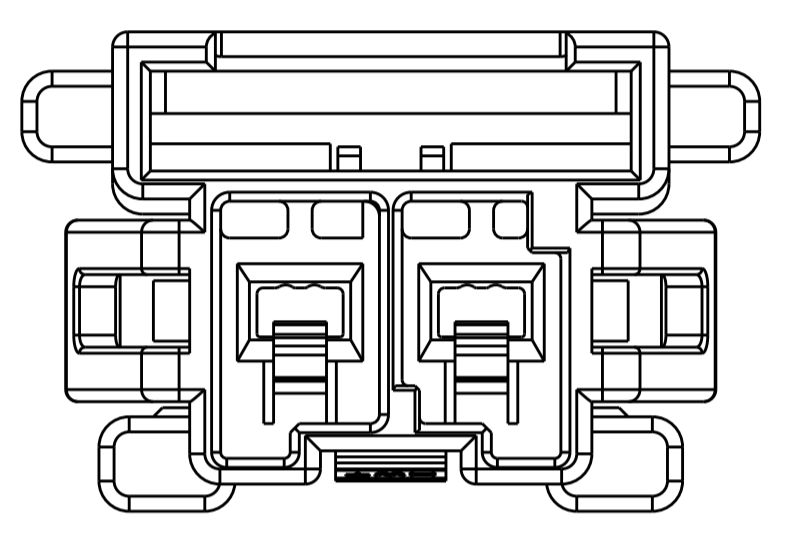
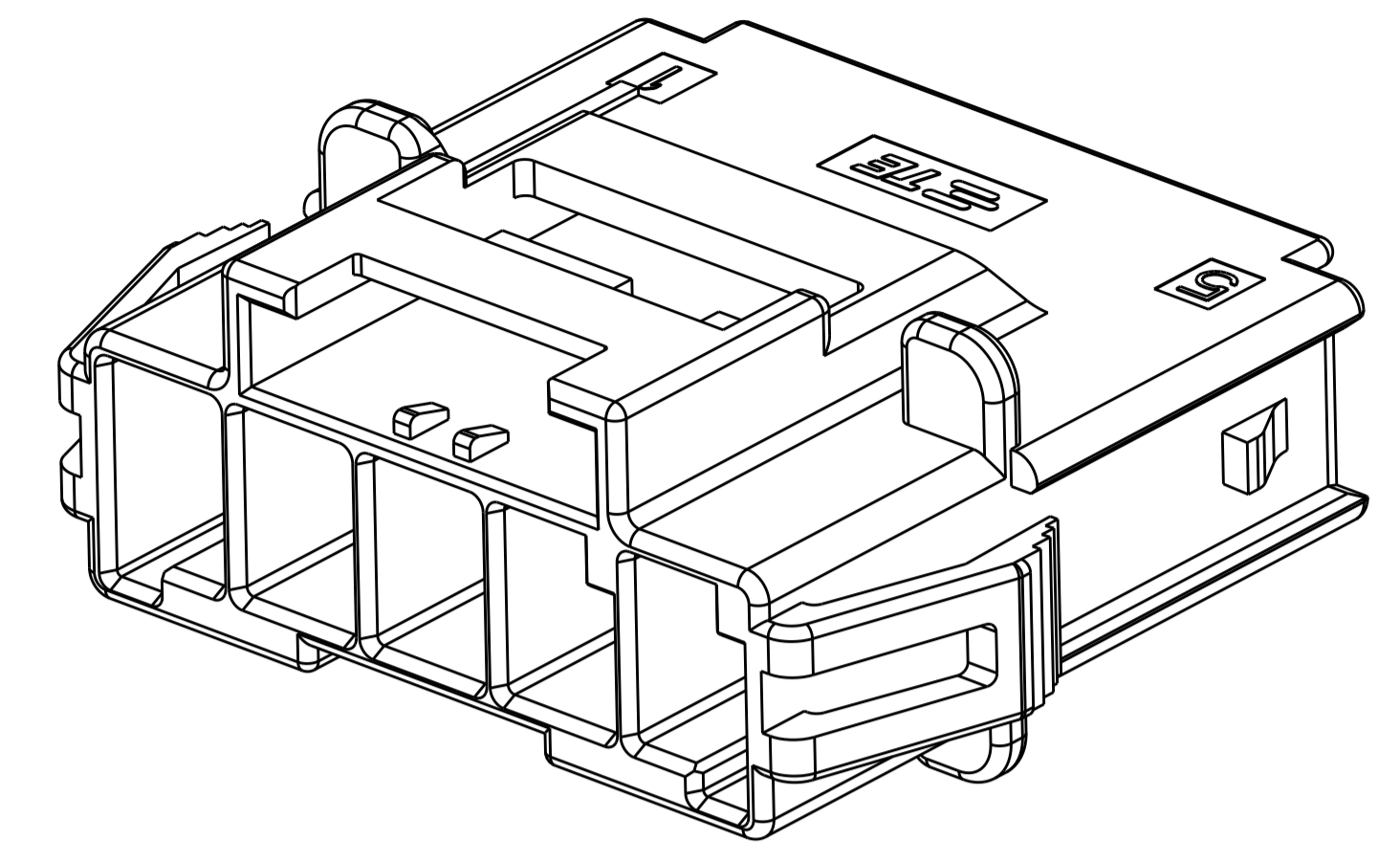
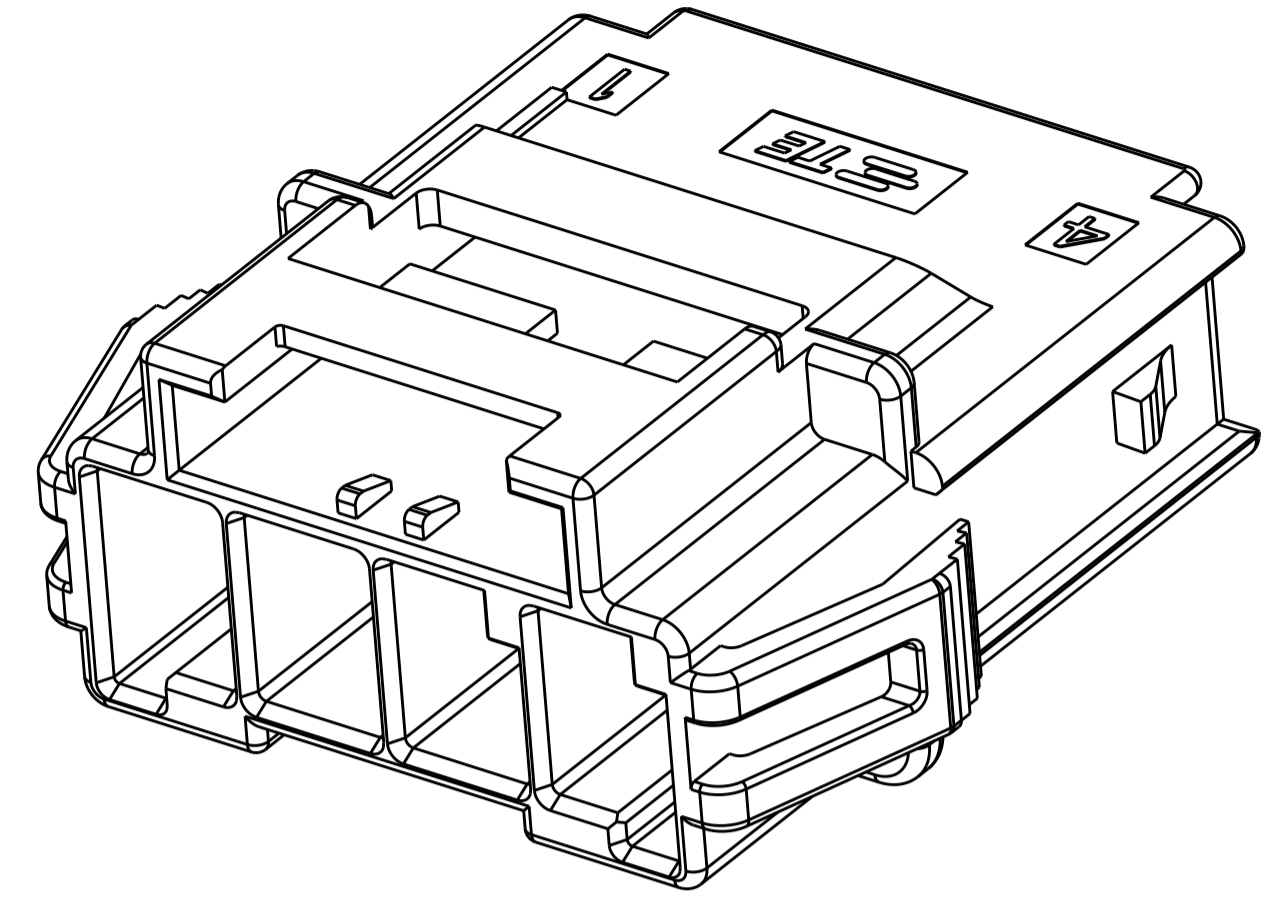
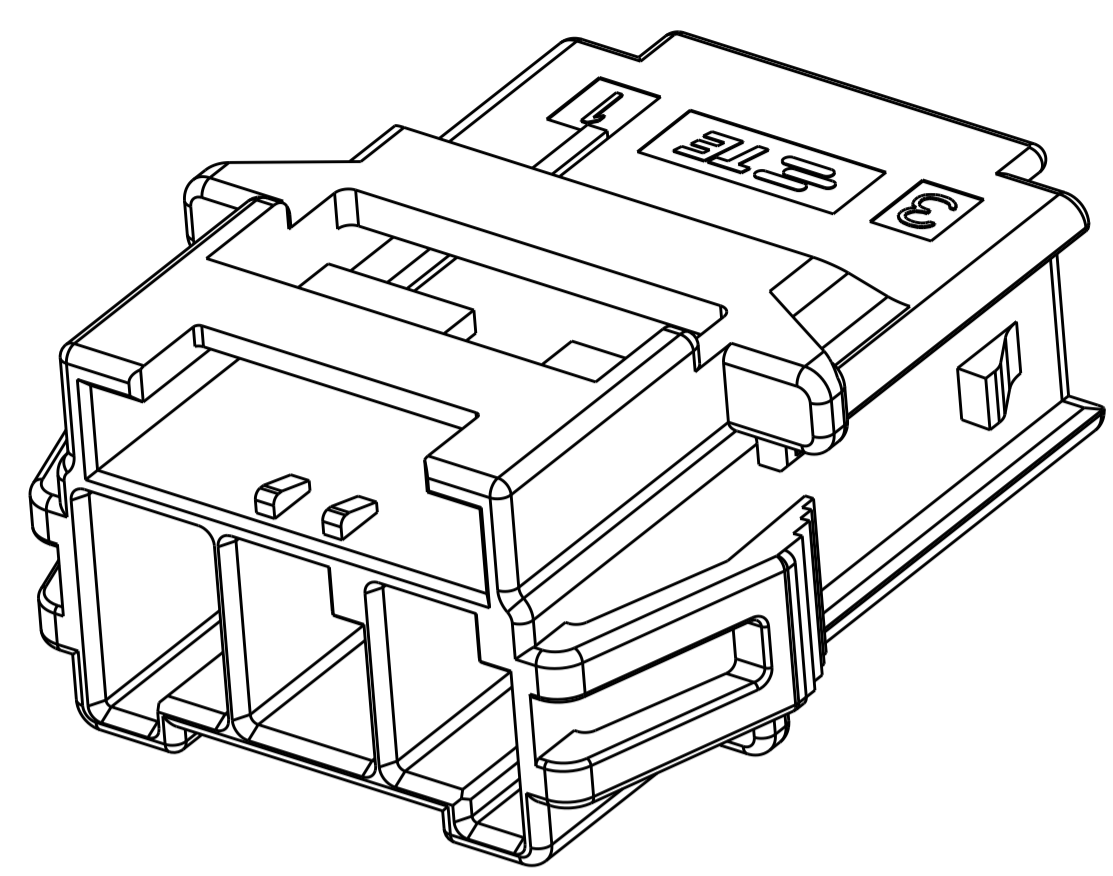
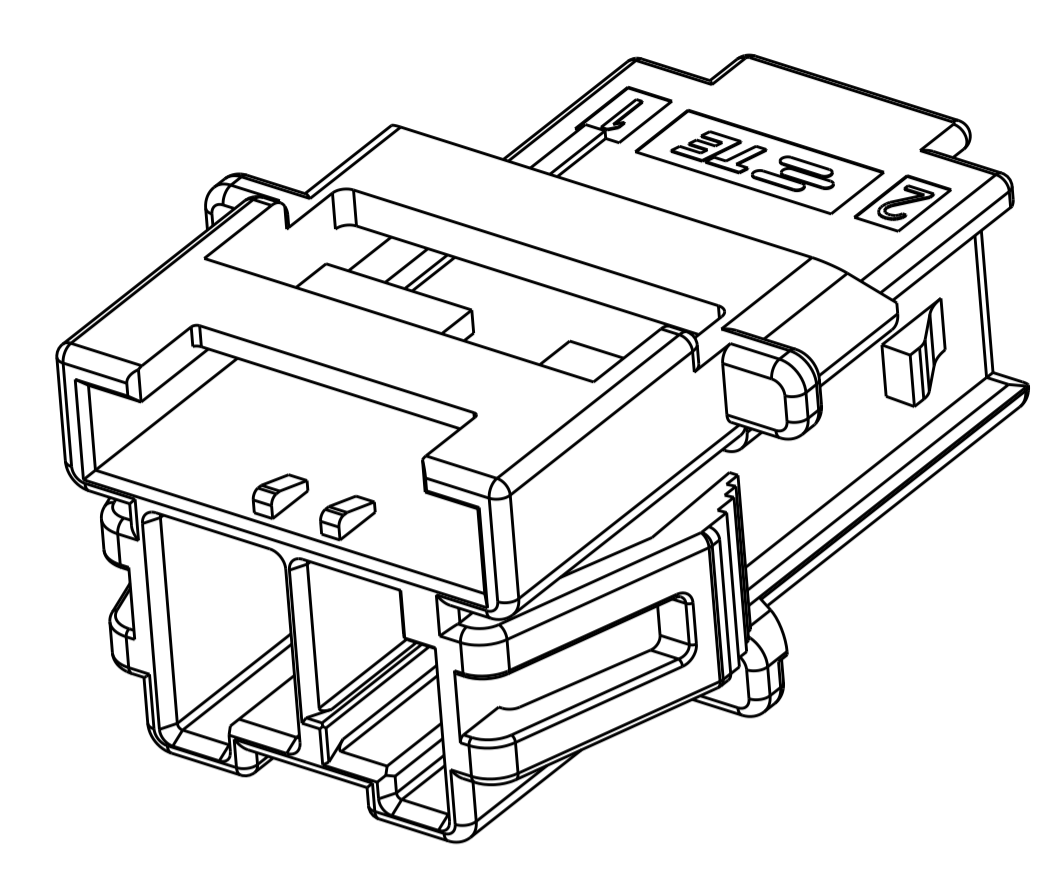
POS	A	B	C	D	E	F	G
1*5	33.70	27.50	39.5	31.30	36.70	31.80	2.9
1*4	27.70	21.50	33.5	25.30	30.70	25.80	2.9
1*3	21.70	15.50	27.5	19.30			2.5
1*2	15.70	9.50	21.5	13.30			1.1

THIS DRAWING IS A CONTROLLED DOCUMENT.

DIMENSIONS:	TOLERANCES UNLESS OTHERWISE SPECIFIED:	DWN	06JUL2012
mm	0 PLC ±0.35	CHK	TOMMY WU
	1 PLC ±0.25	CHK	HAPYE WU
	2 PLC ±0.25	APVD	YUHONG MAO
	3 PLC ±0.25	APVD	06JUL2012
	4 PLC ±0.25	PRODUCT SPEC	
	ANGLES ±0.5	APPLICATION SPEC	
MATERIAL	FINISH	SIZE	CAGE CODE
		114-106118	DRAWING NO
		WEIGHT	RESTRICTED TO
			A100779C=1971772
		Customer Drawing	SCALE
			SHEET 1 OF 2
			REV C

**STE** TE Connectivity  
 NAME: CAP HOUSING, PANEL MOUNT, SINGLE ROW POWER TRIPLE LOCK

LOC	DIST	REVISIONS					
		P	LTN	DESCRIPTION	DATE	OWN	APVD
-	-	-	-	SEE SHEET 1	-	-	-

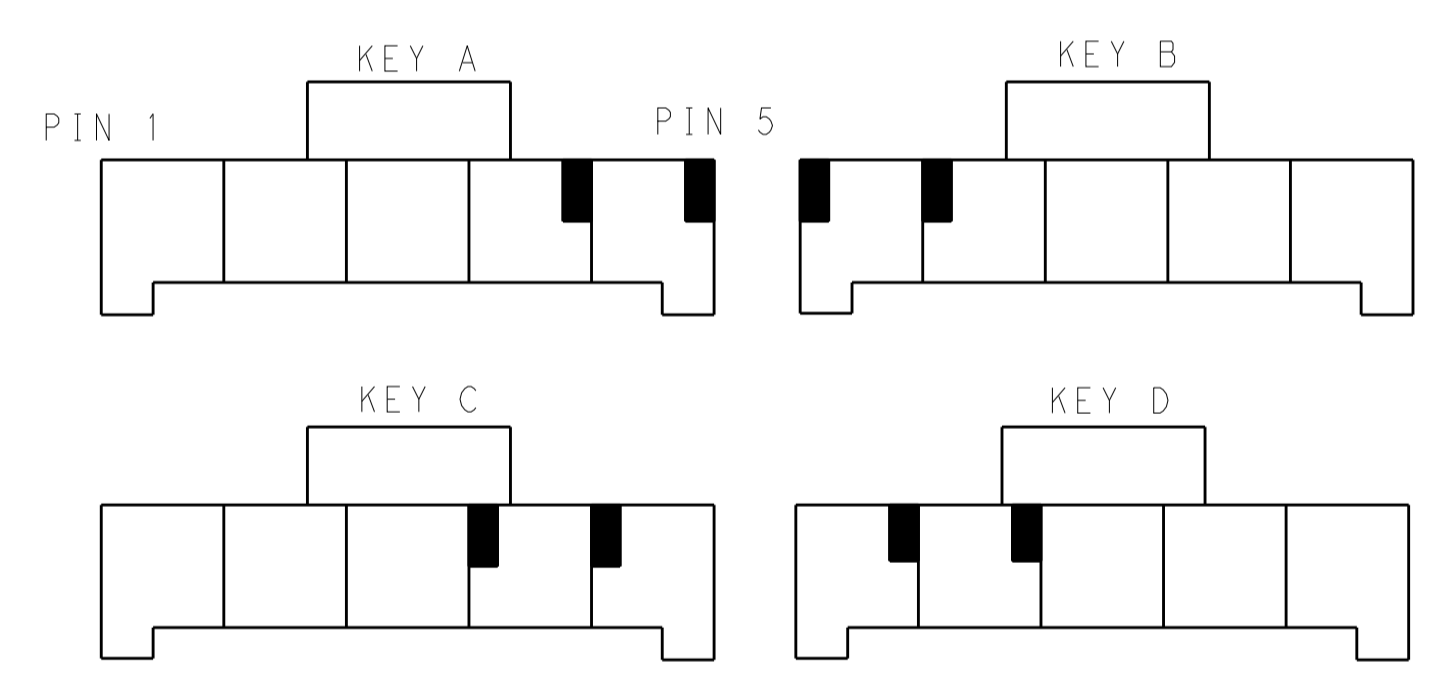
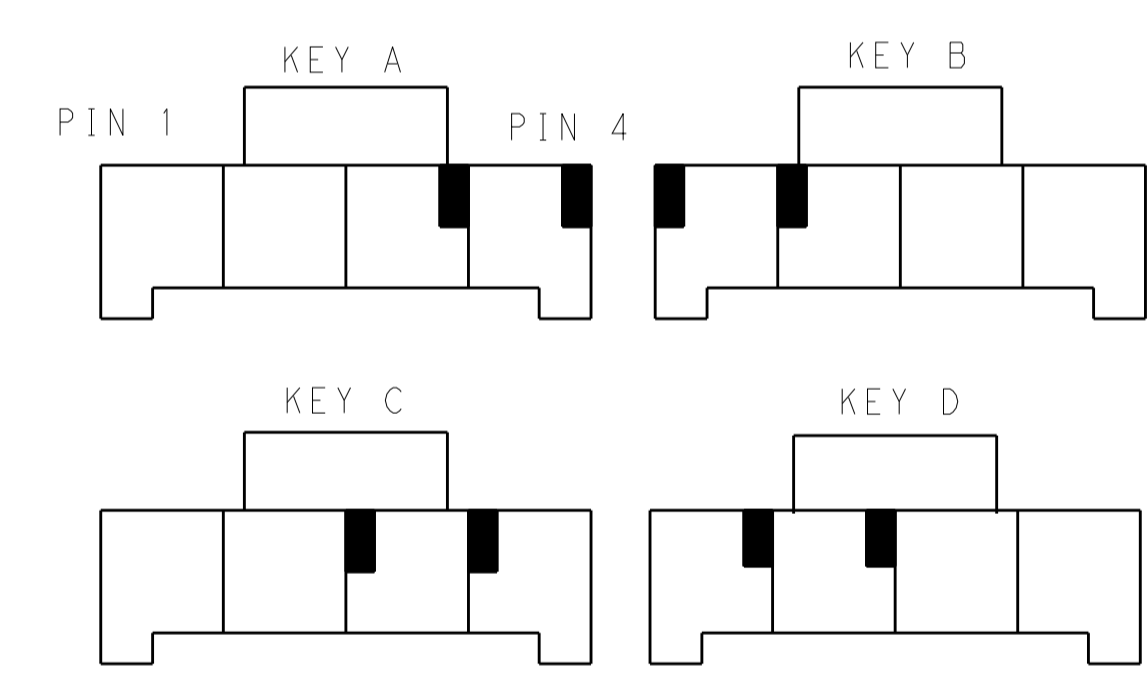
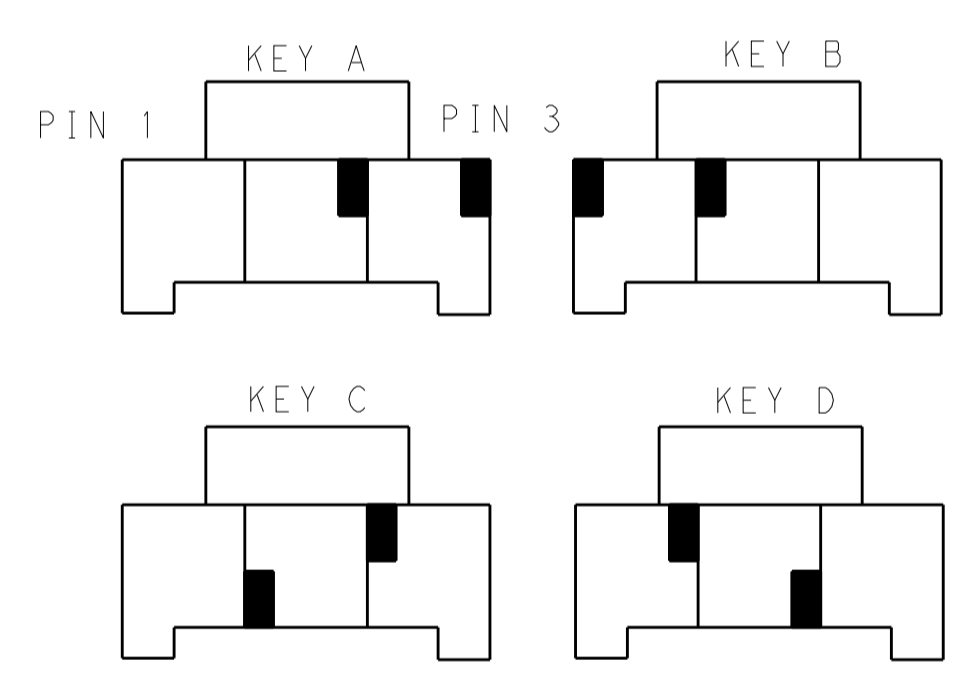
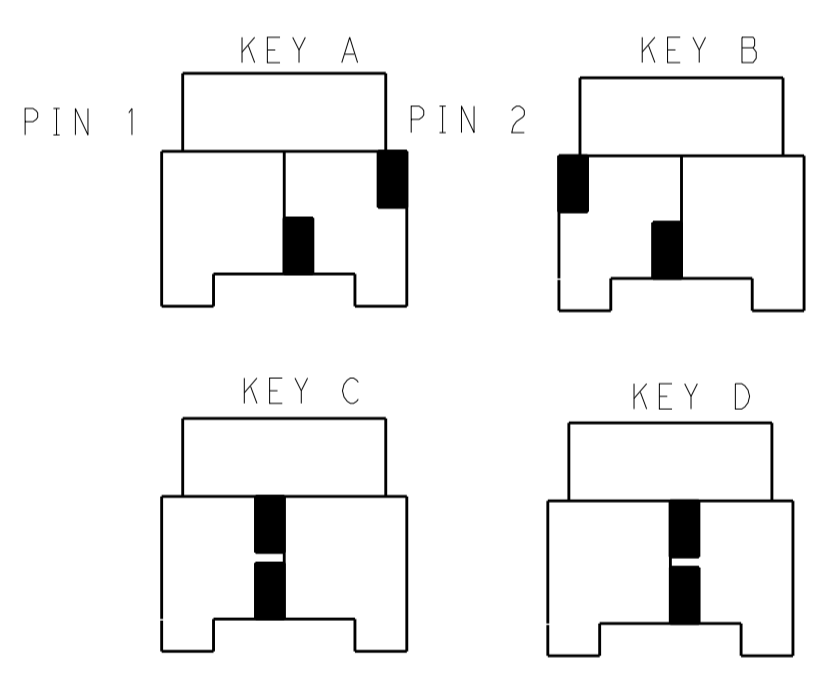


1\*2 POSITIONS

1\*3 POSITIONS

1\*4 POSITIONS

1\*5 POSITIONS



KEYING FOR 1\*2 POS.

KEYING FOR 1\*3 POS.

KEYING FOR 1\*4 POS.

KEYING FOR 1\*5 POS.

POS.	MATERIAL	KEY	P/N
1*3	LEVEL 1	KEY A	1-1971772-3
		KEY B	2-1971772-3
		KEY C	3-1971772-3
		KEY D	4-1971772-3
	LEVEL 2	KEY A	5-1971772-3
		KEY B	6-1971772-3
		KEY C	7-1971772-3
		KEY D	8-1971772-3
1*2	LEVEL 1	KEY A	1-1971772-2
		KEY B	2-1971772-2
		KEY C	3-1971772-2
		KEY D	4-1971772-2
	LEVEL 2	KEY A	5-1971772-2
		KEY B	6-1971772-2
		KEY C	7-1971772-2
		KEY D	8-1971772-2

POS.	MATERIAL	KEY	P/N
1*4	LEVEL 1	KEY A	1-1971772-4
		KEY B	2-1971772-4
		KEY C	3-1971772-4
		KEY D	4-1971772-4
	LEVEL 2	KEY A	5-1971772-4
		KEY B	6-1971772-4
		KEY C	7-1971772-4
		KEY D	8-1971772-4
1*5	LEVEL 1	KEY A	1-1971772-7
		KEY B	2-1971772-7
		KEY C	3-1971772-7
		KEY D	4-1971772-7
	LEVEL 2	KEY A	5-1971772-7
		KEY B	6-1971772-7
		KEY C	7-1971772-7
		KEY D	8-1971772-7

THIS DRAWING IS A CONTROLLED DOCUMENT.

OWN: TOMMY WU 06 JUL 2012  
 CHG: HAPYE WU 06 JUL 2012  
 APVD: YUHONG MAO 06 JUL 2012

TE Connectivity

NAME: CAP HOUSING, PANEL MOUNT, SINGLE ROW POWER TRIPLE LOCK

PRODUCT SPEC: 108-106118  
 APPLICATION SPEC: 114-106118

SIZE: A100779  
 CAGE CODE: 1971772  
 DRAWING NO: 1971772

RESTRICTED TO: Customer Drawing

SCALE: - SHEET 2 OF 2 REV C

# Mouser Electronics

Authorized Distributor

Click to View Pricing, Inventory, Delivery & Lifecycle Information:

[TE Connectivity:](#)

[5-1971772-2](#)