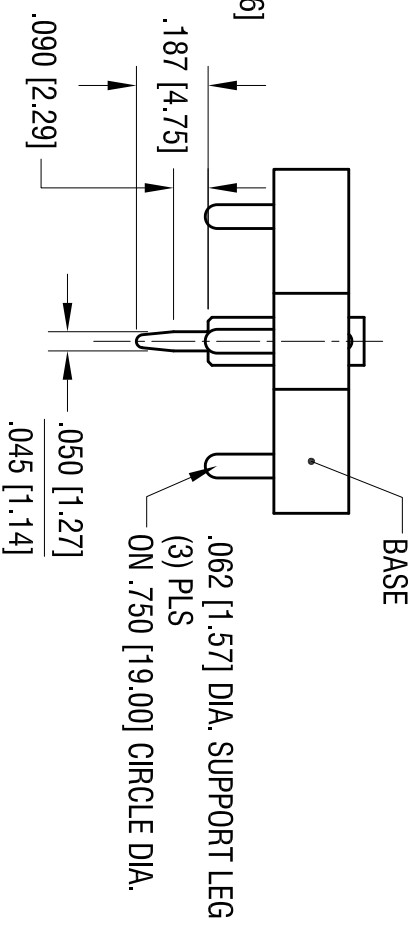
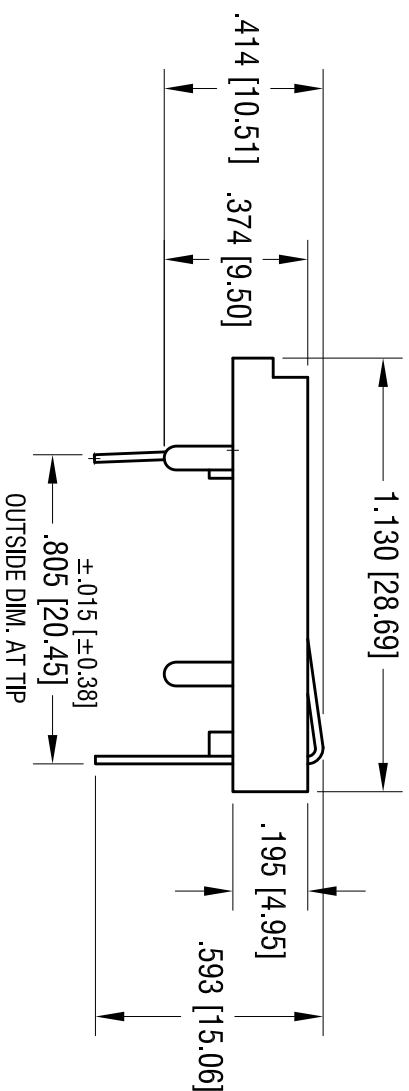
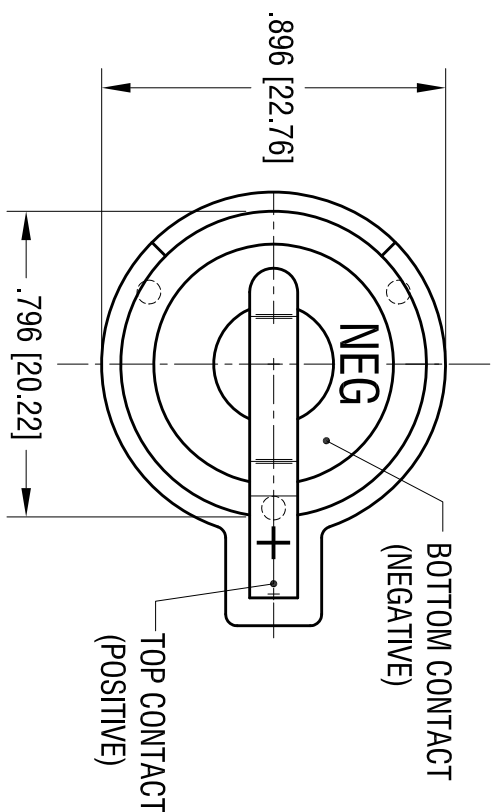
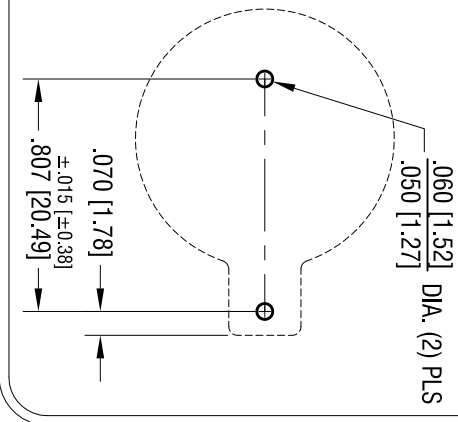
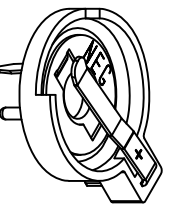


MOUNTING HOLES



DATE	DESCRIPTION	REV.
11.2.11	CHANGE AS PER ECN 11-144	A



ACTUAL SIZE

- NOTES:**
1. BASE:
MAT'L - PBT (UL 94V-0), COLOR BLACK
 2. CONTACTS (TOP AND BOTTOM):
MAT'L - .020 [0.50] THK SPRING STEEL
FINISH: TIN NICKEL PLATE

KEYSTONE ELECTRONICS CORP.			
www.keystone.com • NEW HYDE PARK, NY 11040 • Tel (516) 328-7500			
PART NAME COIN CELL PC BATTERY HOLDER			
MATERIAL AS NOTED			
FINISH AS NOTED		DRN BY BOONE	DATE 3.4.05
TOLERANCES DECIMAL ± .010 [±.025] ANGULAR ± 1°		CODE C	DWG NO. 101
UNLESS OTHERWISE SPECIFIED		App'D LN	SCALE 2X

THIS DOCUMENT IS THE PROPERTY OF KEYSTONE ELECTRONICS CORP. AND SHALL NOT BE REPRODUCED, DISTRIBUTED OR USED AS A BASIS FOR MANUFACTURE WITHOUT PRIOR WRITTEN PERMISSION FROM KEYSTONE ELECTRONICS CORP.