

4

3

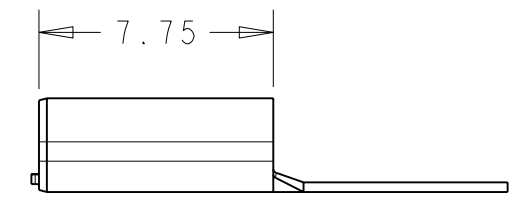
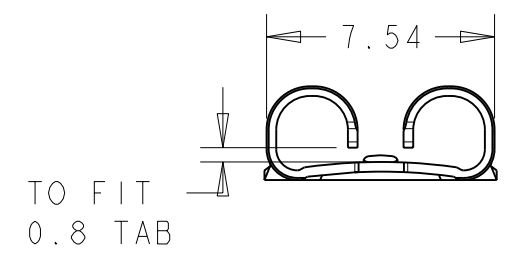
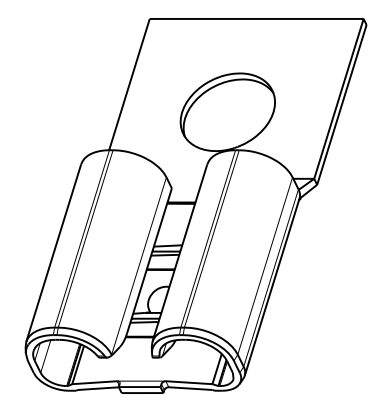
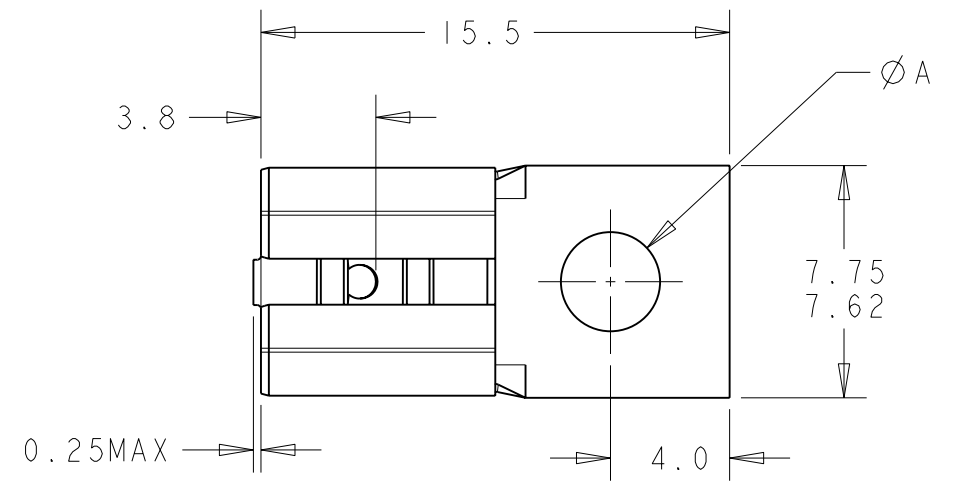
2

1

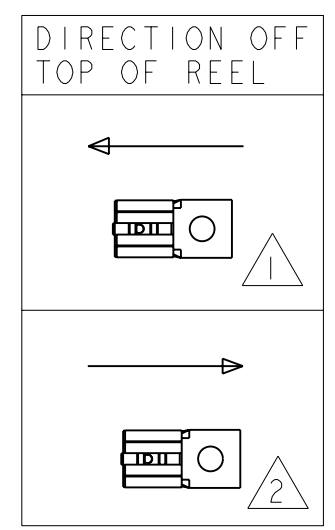
THIS DRAWING IS UNPUBLISHED. RELEASED FOR PUBLICATION 20

© COPYRIGHT 20 BY TYCO ELECTRONICS CORPORATION. ALL RIGHTS RESERVED.

LOC	DIST	REVISIONS					
B	E	P	LTR	DESCRIPTION	DATE	DWN	APVD
			F	ECR-09-005096	04/03/09	MJG	JA
			F1	ECR-10-000003	22APR10	RK	SRE



OBSOLETE	2	2.41/2.49	PRE TIN	BRASS	1-151939-4
	2	2.41/2.49	NONE	BRASS	1-151939-3
	2	3.28	NONE	BRASS	1-151939-1
OBSOLETE	1	3.18	NONE	BRASS	1-151939-0
	1	2.41/2.49	PRE TIN	BRASS	151939-4
	1	2.41/2.49	NONE	BRASS	151939-3
	1	3.28	ELECTRO TIN	BRASS	151939-2
	1	3.28	NONE	BRASS	151939-1
	1	3.18	NONE	BRASS	151939
REELING		ØA DIM	FINISH	MATERIAL	PART NO



THIS DRAWING IS A CONTROLLED DOCUMENT FOR TYCO ELECTRONICS CORPORATION IT IS SUBJECT TO CHANGE AND THE CONTROLLING ENGINEERING ORGANIZATION SHOULD BE CONTACTED FOR THE LATEST REVISION.

DIMENSIONS:	TOLERANCES UNLESS OTHERWISE SPECIFIED:
mm	
	0 PLC ±0.4
	1 PLC ±0.4
	2 PLC ±0.4
	3 PLC ±0.4
	4 PLC ±0.4
	ANGLES ±0.5
MATERIAL	FINISH
See Table	-

DWN	M. GREENER	04MAR2009	 Tyco Electronics UK Ltd. Bideford, North Devon, EX39 4HE
CHK	J. AMBROSE	04MAR2009	
APVD	J. AMBROSE	04MAR2009	
PRODUCT SPEC	-		
APPLICATION SPEC			NAME
-			FASTON TAB ADAPTOR
WEIGHT	-		SIZE
CUSTOMER DRAWING	A300779		CAGE CODE
	G=151939		DRAWING NO
	SCALE 4:1		RESTRICTED TO
	SHEET 1 OF 1		REV F1

Mouser Electronics

Authorized Distributor

Click to View Pricing, Inventory, Delivery & Lifecycle Information:

[TE Connectivity:](#)

[1-151939-0](#)