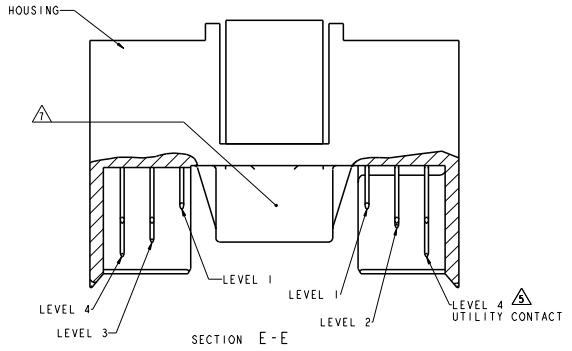
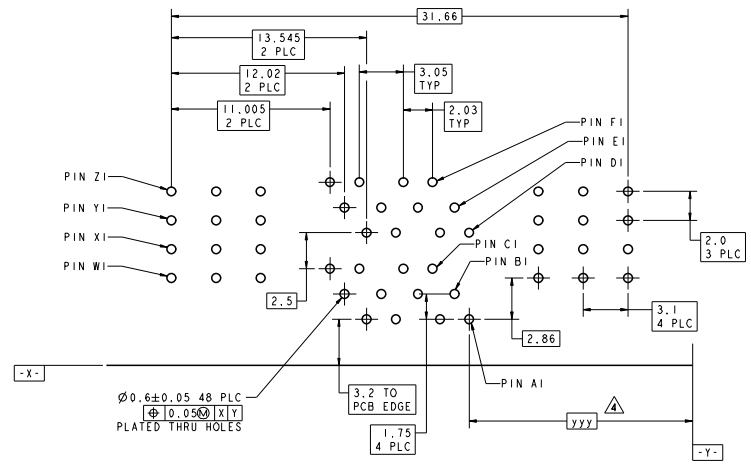
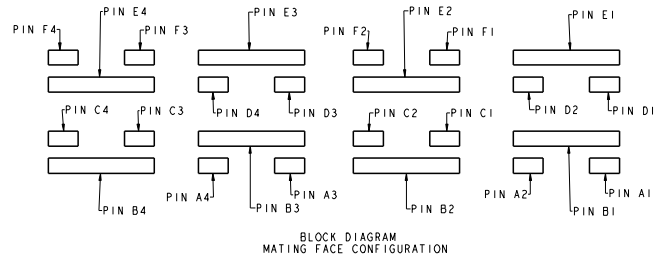
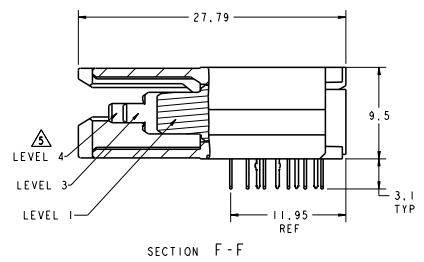
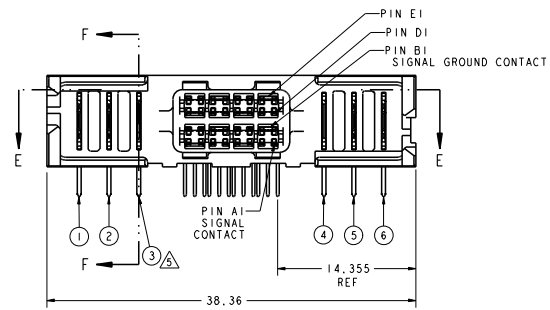


LOC		DIST		REVISIONS			
GP	00	P	REV	DESCRIPTION	DATE	BY	APP
		B		REDRAWN PER ECO-10-012356	12NOV2010	CJV	EJG



- △ HOUSINGS: POLYESTER, UL 94V-0 RATED, NATURAL SIGNAL AND SIGNAL GROUND CONTACTS: COPPER ALLOY UTILITY CONTACTS: PHOSPHOR BRONZE
- △ UTILITY CONTACTS: 0.76um MIN GOLD IN CONTACT AREA, 2.54um MIN TIN ON PCB TAILS, OVER 1.27um MIN NICKEL OVER ALL. SIGNAL AND SIGNAL GROUND CONTACTS: 0.76um MIN GOLD IN CONTACT AREA, 2.54um MIN TIN ON PCB TAILS, OVER 1.27um MIN NICKEL OVER ALL.
- 3. ROWS A, C, D, AND F ARE SIGNAL CONTACTS. ROWS B AND E ARE SIGNAL GROUND CONTACTS.
- △ DIMENSIONS PER CUSTOMER BOARD LAYOUT.
- △ SEE UTILITY CONTACT SEQUENCE TABLE FOR LOCATION AND LEVEL/LENGTH OF UTILITY CONTACTS FOR EACH PRODUCT PART NUMBER. UTILITY LEVEL 1 CAN BE USED FOR SENSING. UTILITY LEVELS 2, 3, AND 4 CAN BE USED FOR POWER, GROUND, OR ESD. SEQUENCING SHOWN IN SECTION E-E SHOWS THREE LEVELS FOR COMPARISON. UTILITY LEVEL 2 EQUALS THE SIGNAL GROUND CONTACT LEVEL. SIGNAL LEVEL IS BETWEEN UTILITY LEVELS 1 AND 2.
- 6. BLOCK DIAGRAM AND CONTACT IDENTIFICATION APPLY TO COPLANAR NON-INVERTED APPLICATION ONLY. CONTACT IDENTIFICATION REVERSES FOR INVERTED APPLICATIONS, I.E COPLANAR OR MID-BOARD INVERTED.
- △ COMPANY LOGO IN APPROXIMATE AREA SHOWN.



RECOMMENDED PC BOARD FOOTPRINT
COMPONENT SIDE SHOWN
SCALE 6:1

UTILITY CONTACT SEQUENCE TABLE							PART NUMBER
UTILITY CONTACT LEVEL 1, 2, 3, OR 4							
1	2	4	4	2	2	6367551-2	
4	3	2	2	3	4	6367551-1	
①	②	③	④	⑤	⑥		

UTILITY CONTACT LOCATION

TOLERANCES UNLESS OTHERWISE SPECIFIED:		DATE: 12NOV2010	DESIGNER: VALENTI	Tico Electronics Harrisburg, PA 17105-3608	
DIMENSIONS: mm		DATE: 12NOV2010	DESIGNER: BRIANT	PART NUMBER: Z-DOK+ ADAPTER BOARD CONNECTOR ASSEMBLY, 8 SIGNAL DIFF. PAIR, 3 UTILITY CONTACTS PER SIDE	
MATERIAL: 0 PLC #3, 1 PLC #1, 2 PLC #2, 4 PLC #4		DATE: 12NOV2010	DESIGNER: BRANT	SYMBOL CODE: (DRAWING)	
FINISH: 100-1885		DATE: 12NOV2010	DESIGNER: BRANT	PART NUMBER: 00779	
APPLICATION SPEC: 114-13368		DATE: 12NOV2010	DESIGNER: BRANT	PART NUMBER: 6367551	
REVISION: 114-13368		DATE: 12NOV2010	DESIGNER: BRANT	PART NUMBER: 6367551	
MATERIAL: 114-13368		DATE: 12NOV2010	DESIGNER: BRANT	PART NUMBER: 6367551	
FINISH: 114-13368		DATE: 12NOV2010	DESIGNER: BRANT	PART NUMBER: 6367551	

Mouser Electronics

Authorized Distributor

Click to View Pricing, Inventory, Delivery & Lifecycle Information:

[TE Connectivity:](#)

[6367551-2](#)