

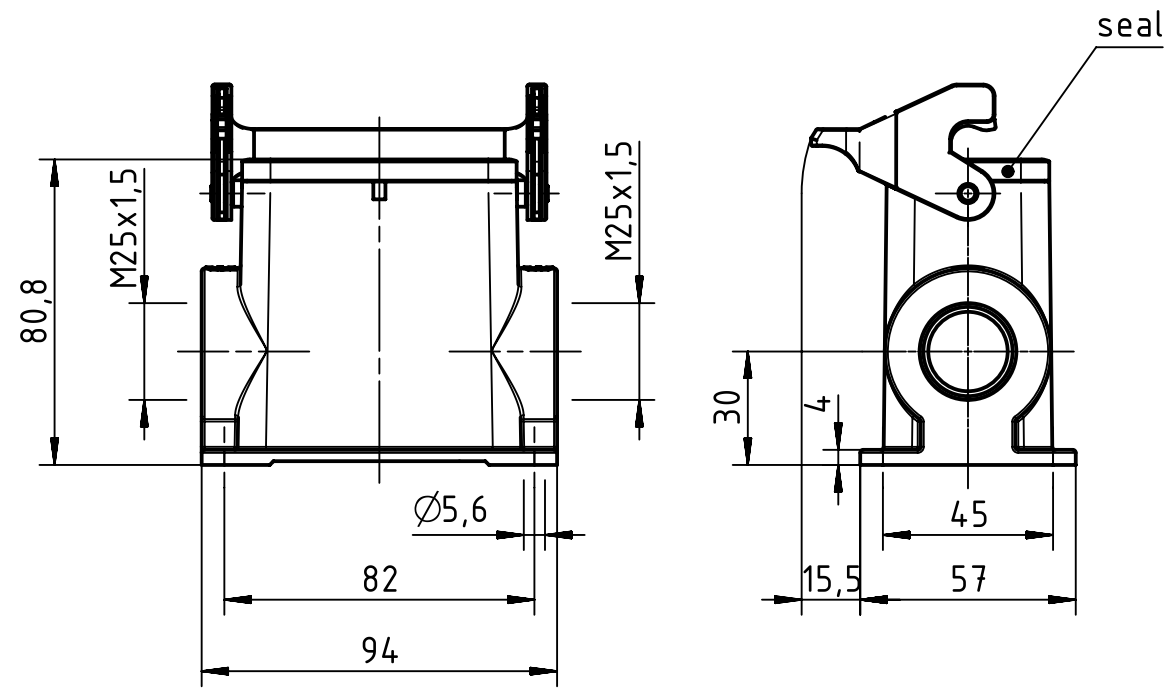
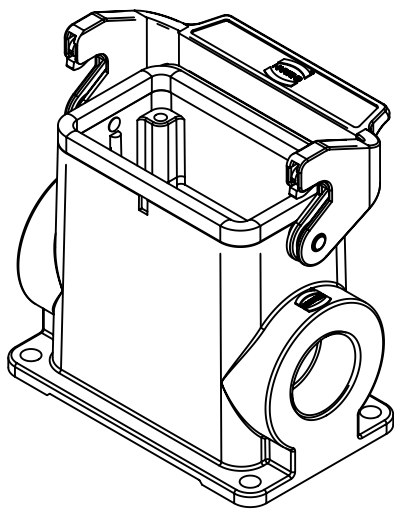
1 2 3 4 5 6

A

B

C

D



	All Dimensions in mm Original Size DIN A4		Scale 1:2	Free size tol.		Ref.		
						Sub.		
	All rights reserved		Created by SPRENB	Inspected by BERGHORN	Standardisation TIEMANNA	Date 2014-01-30	State Final Release	
	Department EL PD - DE		Title Han 10B-HMC-asg2-LB-M25				Doc-Key / ECM-Nr. 100522391/UGD/002/B 500000071121	
HARTING Electric GmbH & Co. KG D-32339 Espelkamp			Type TB	Number 19 30 210 0291			Rev. B	Page 1/1

Mouser Electronics

Authorized Distributor

Click to View Pricing, Inventory, Delivery & Lifecycle Information:

[HARTING:](#)

[19302100291](#)