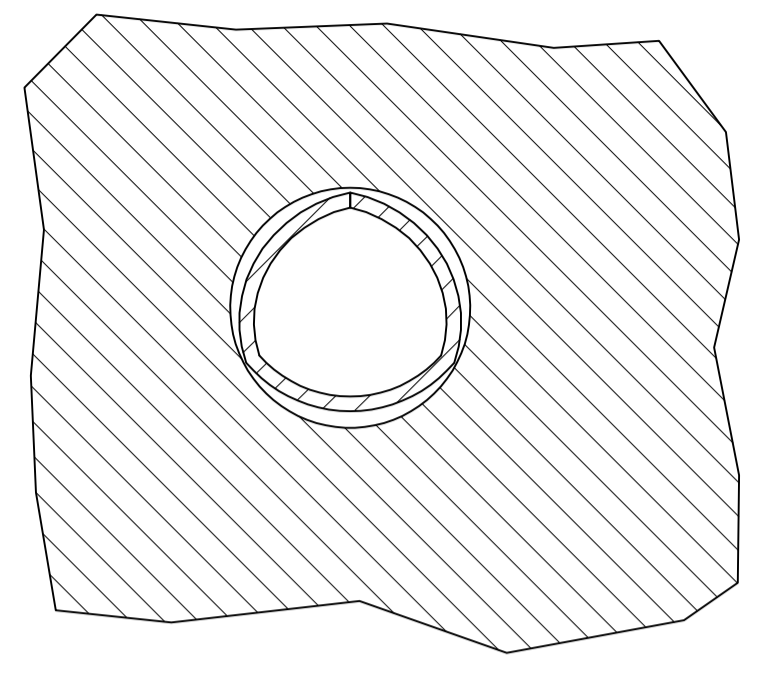
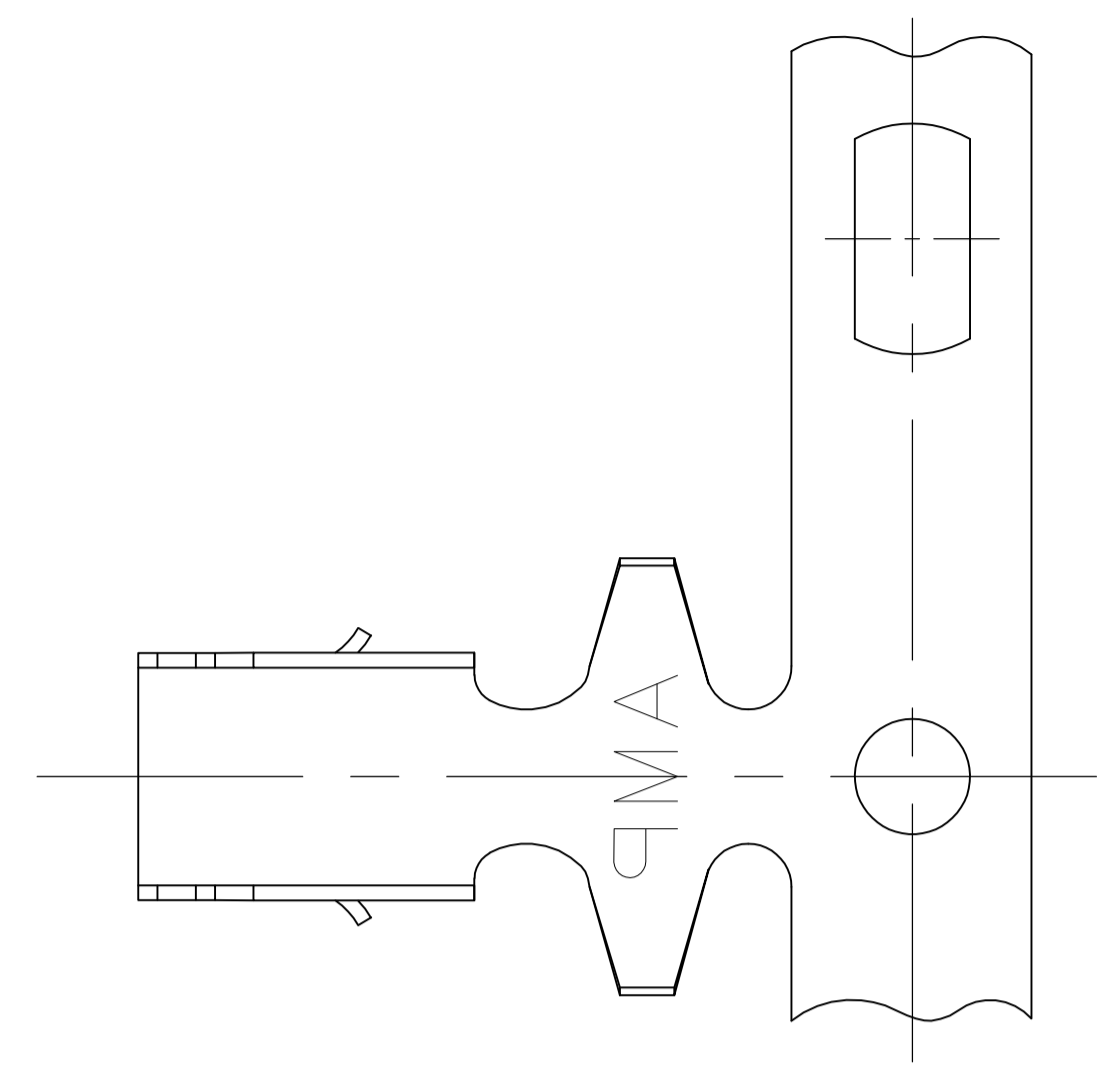
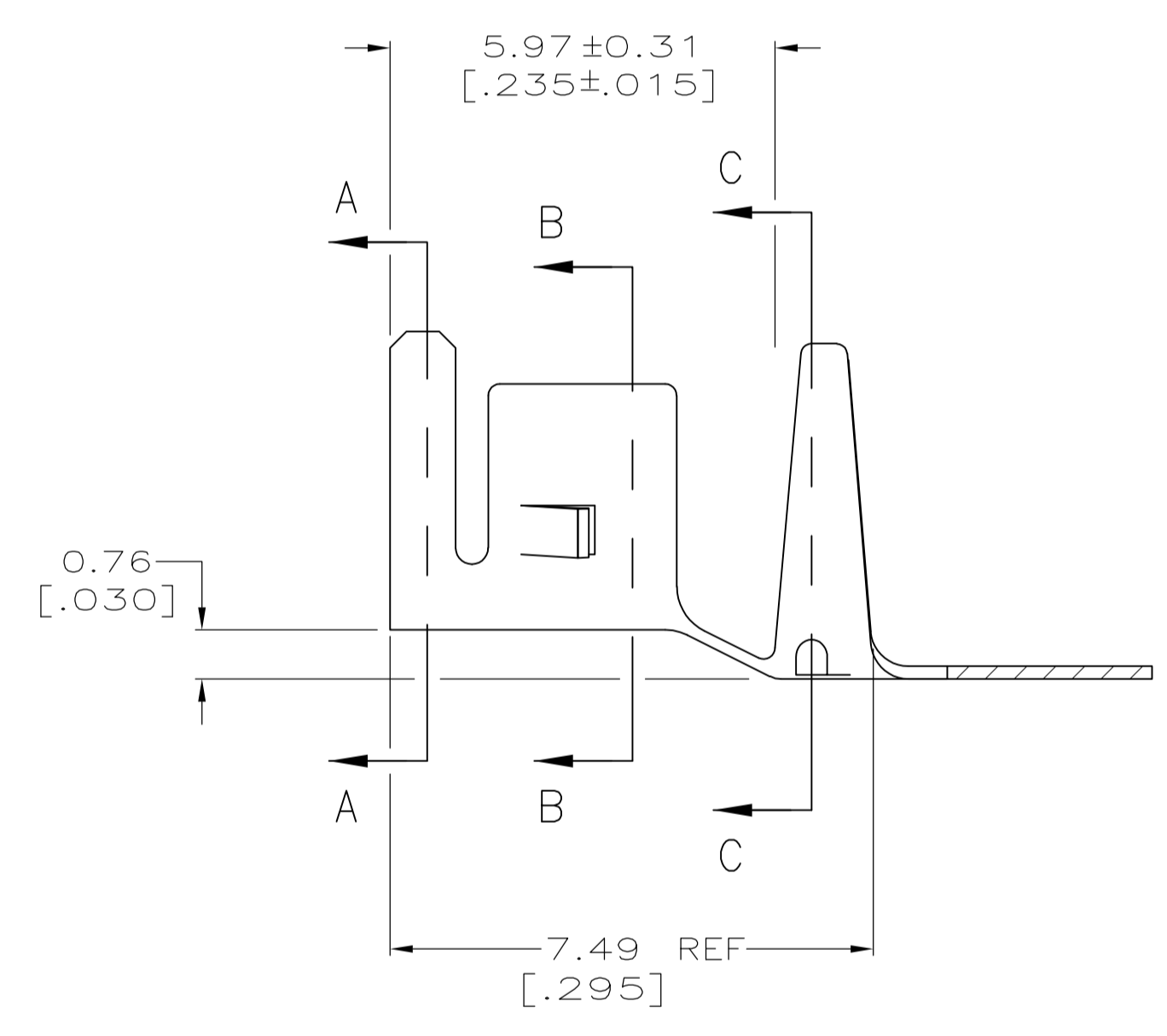


LOC	DIST	REVISIONS			
CM	00	REV	DESCRIPTION	DATE	BY
		C3	REVISED PER ECO-12-014997	23AUG12	KH SM

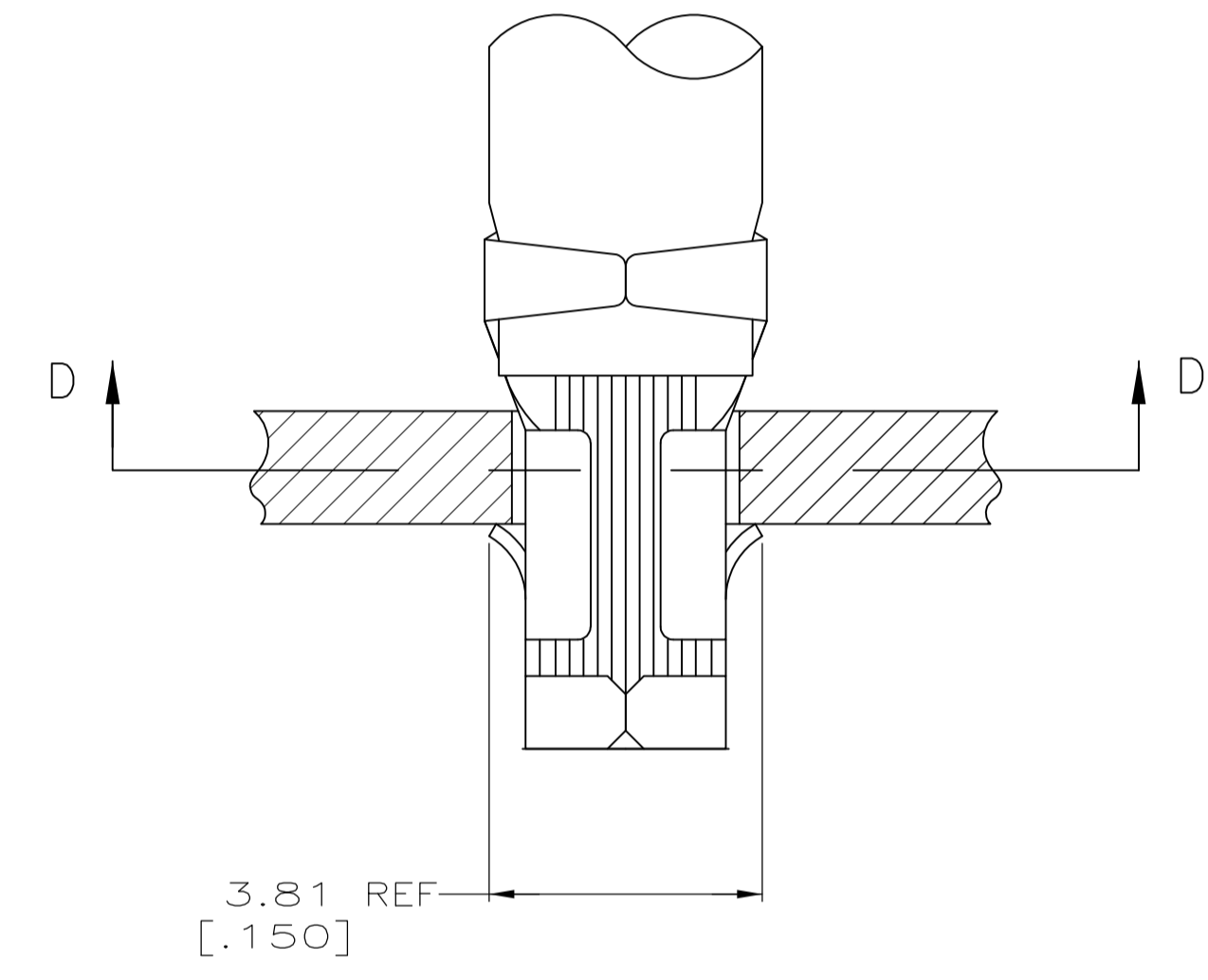
- 1 PARTS COMPLY WITH AMP SOLDERABILITY SPEC 109-11-3.
- 2 WIRE RANGE: 3-5.5 mm² [12-10 AWG].
- 3 INSULATION DIAMETER: 5.08 [.200] MAX.
- 4 DIMENSIONS IN BRACKETS ARE IN INCHES.
- 5 0.00508 [.000200] MIN BRIGHT TIN-LEAD.
- 6 0.00508 [.000200] MIN HALT TIN.



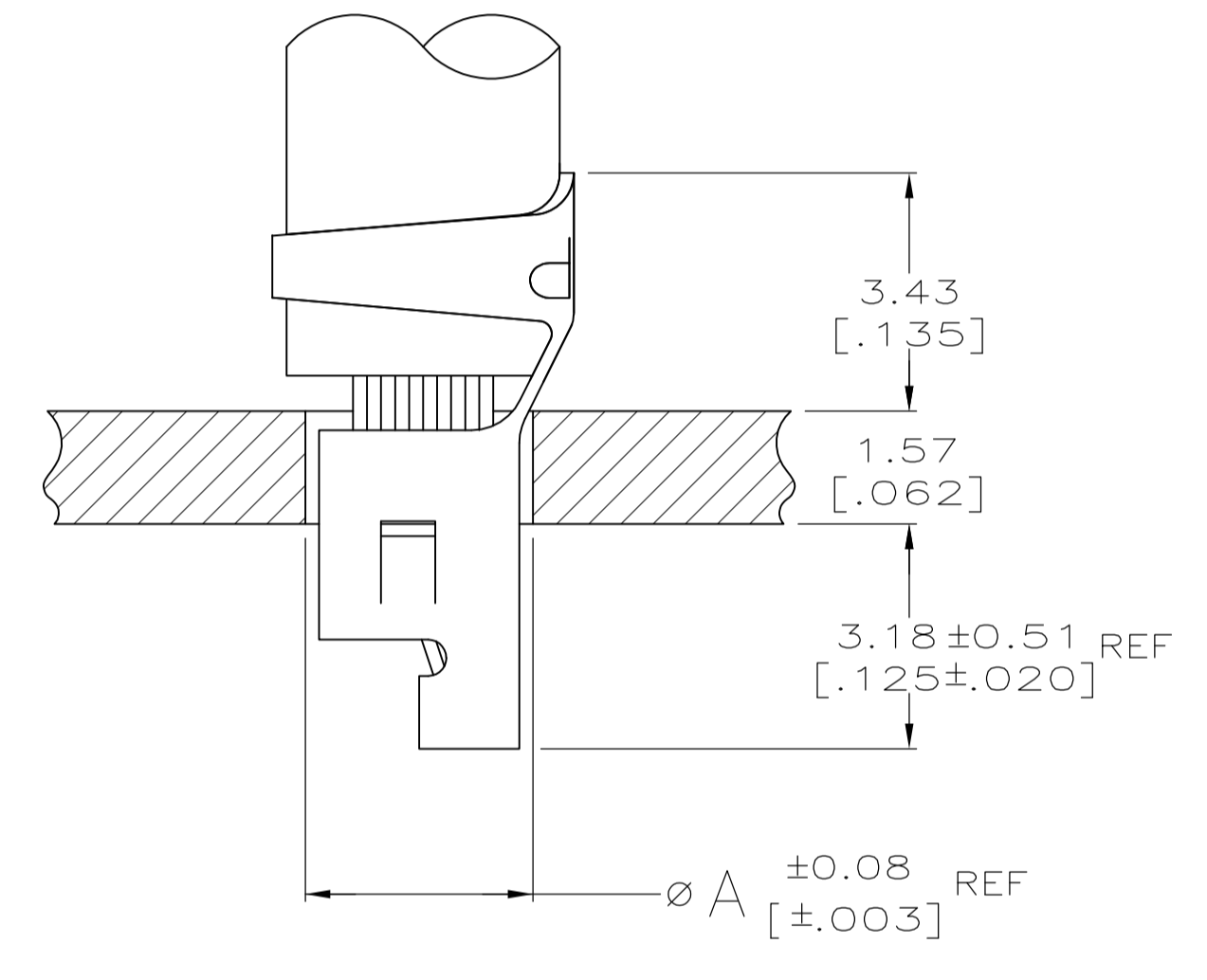
SECTION D-D



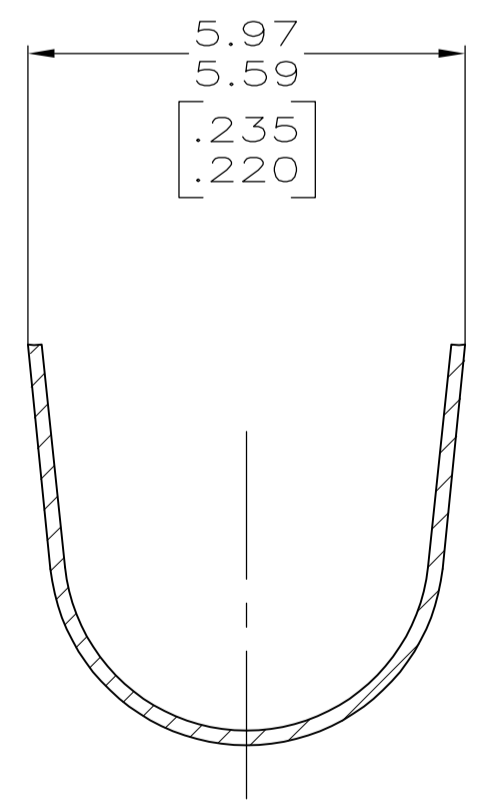
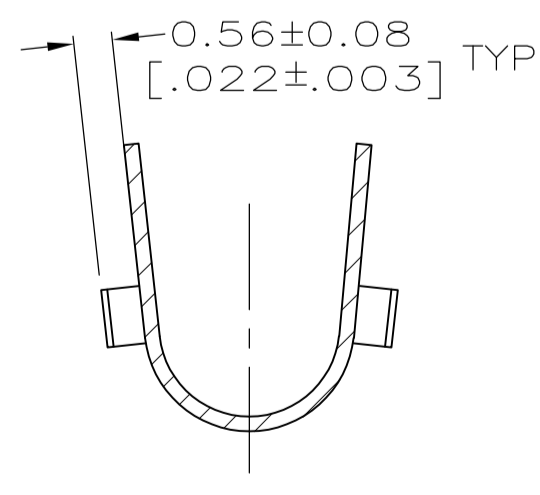
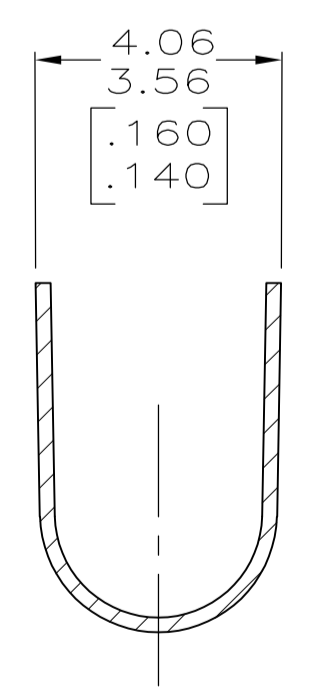
SECTION A-A



SECTION B-B



SECTION C-C



3.76 [.148]	10
3.18 [.125]	12
A	AWG

6	3-794037-1
5	-794037-1
FINISH	PART NO.

SUPERSEDED BY
3-794037-1

THIS DRAWING IS A CONTROLLED DOCUMENT.

DIMENSIONS: INCHES	TOLERANCES UNLESS OTHERWISE SPECIFIED:	DRAWING NO.	22AUG2003
0 PLC ±	1 PLC ±	APVD	J. ELLIS
2 PLC ± 0.13 [.005]	3 PLC ±	NAME	J. ELLIS
4 PLC ±	ANGLES ±	PRODUCT SPEC	TE Connectivity
MATERIAL	FINISH	APPLICATION SPEC	TERMINAL, AMP-IN
0.198 [.0078] PH BRZ		SIZE	A1
		WEIGHT	00779C=794037
		CUSTOMER DRAWING	SCALE 10:1 SHEET 1 OF 1 REV C3

METRIC

Mouser Electronics

Authorized Distributor

Click to View Pricing, Inventory, Delivery & Lifecycle Information:

[TE Connectivity:](#)

[3-794037-1](#) [3-794037-1 \(Loose Piece\)](#)