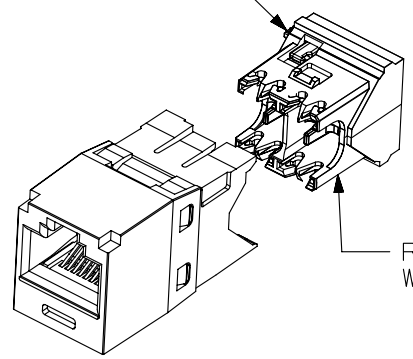


THIS COPY IS PROVIDED ON A RESTRICTED BASIS AND IS NOT TO BE USED IN ANY WAY DETRIMENTAL TO THE INTERESTS OF PANDUIT CORP.

STRAIN RELIEF CLIP



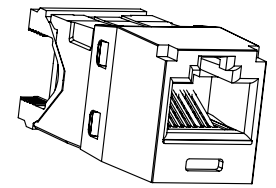
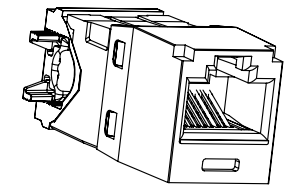
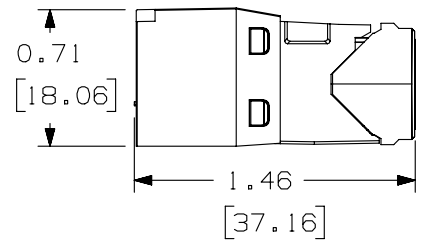
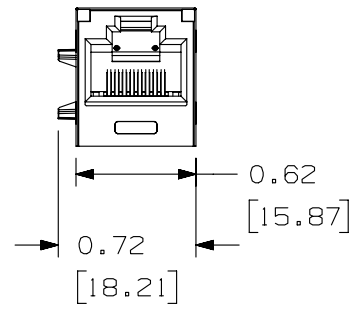
RIGHT ANGLE WIRE CAP

PANDUIT PART #	DESCRIPTION	WEIGHT*
CJR5E88TG**	8 POSITION, 8 WIRE UNIVERSAL MODULE, RIGHT ANGLE RED WIRE CAP IS CODED FOR T568A AND T568B WIRING SCHEMES	1.742 LB/100 PCS ( 790g/100PCS)

\*WEIGHT IS APPROXIMATE  
\*\*JACK COLOR SUFFIX

NOTES:

1. TX5E UTP RIGHT ANGLE JACK MODULE
2. RED WIRE CAP DESIGNATES CATEGORY 5E PERFORMANCE.
3. WIRE CAP TERMINATES CABLE TO THE RIGHT OR THE LEFT.
4. 100% PERFORMANCE TESTED TO CATEGORY 5E COMPONENT LIMITS.
5. INDIVIDUALLY SERIALIZED AFTER TESTING FOR TRACEABILITY.
6. TERMINATES 22-26AWG SOLID OR STRANDED UTP CABLE.
7. OPERATING TEMPERATURE: -10°C TO 60°C (-14°F TO 140°F).
8. STORAGE TEMPERATURE: -40°C TO 70°C (-40°F TO 158°F).
9. C(UL)US LISTED-FILE NUMBER E129886
10. UNIVERSAL DESIGN ACCEPTS SIX AND EIGHT POSITION PLUGS.
11. MATERIAL: HOUSING-ABS, WIRE CAP-POLYCARBONATE.
12. DIMENSIONS IN PARENTHESES ARE METRIC.



ACTUAL SIZE

PART NUMBER	CJR5E88TG**	PRODUCT SPEC/PKG SPEC	N/A
I.I. NUMBER	N/A	WORK INSTRUCTION	N/A
TITLE			
<b>TX5E UTP RIGHT ANGLE JACK MODULE</b>			
CUSTOMER DRAWING			
ITEM REVISION NAME	13M407AC/00		
DATASET FILE NAME	13M407AC_DC01874-157/00A		
UNLESS OTHERWISE SPECIFIED, DIMENSIONAL TOLERANCES ARE: IN (mm)			MATERIAL:
.x ± .1 [ 2.54 ]      .xxx ± .005 [ .127 ]			SEE NOTE 11
.xx ± .01 [ .25 ]      ANGLES ± 5 °			
DRAWN BY: BJJ      DATE: 5-15-13      CHK: JAV      SCALE: FULL			DRAWING NUMBER: 01874-157
THIRD ANGLE PROJECTION			SIZE: A

REV	DATE	BY	CHK	APR	DESCRIPTION	ECN
R	5-15-13	BJN	JAV	EJH	RELEASED TO PRODUCTION	01874-157

D10100DA/14