

## BQ33100 Super Capacitor Manager

### 1 Features

- Fully integrated 2-, 3-, 4-, and 5-series Super Capacitor Manager
- Can be used with up to 9-series capacitors without individual integrated capacitor monitoring and balancing
- Active capacitor voltage balancing
  - Prevents super capacitor overvoltage during charging
- Capacitor health monitoring
  - Capacitance learning
  - ESR measurement
  - Operation status
  - State-of-charge
  - State-of-health
  - Charging voltage and current reports
  - Safety alerts with optional pin indication
- Integrated protection monitoring and control
  - Overvoltage
  - Short circuit
  - Excessive temperature
  - Excessive capacitor leakage
- 2-wire SMBus serial communications
- High-accuracy 16-bit delta-sigma ADC with a 16-channel multiplexer for measurement
  - Used for voltage, current, and temperature
- Low power consumption
  - < 660  $\mu$ A in NORMAL operating mode
  - < 1  $\mu$ A in SHUTDOWN mode
- Wide operating temperature:  $-40^{\circ}\text{C}$  to  $+85^{\circ}\text{C}$

### 2 Applications

- RAID systems
- Server blade cards
- UPS
- Medical and test equipment
- Portable instruments

### 3 Description

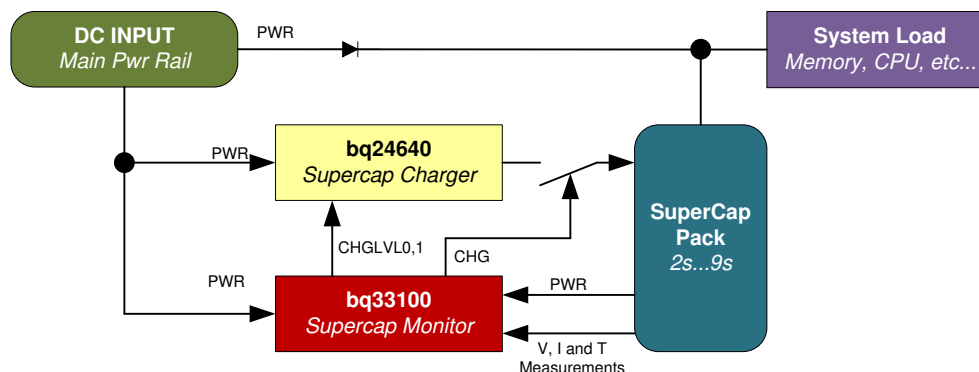
The Texas Instruments BQ33100 Super Capacitor Manager is a fully integrated, single-chip solution that provides a rich array of features for charge control, monitoring, and protection for either 2-, 3-, 4-, or 5-series super capacitors with individual capacitor monitoring and balancing or up to 9-series capacitors with only the stack voltage being measured. With a small footprint of 7.8 mm  $\times$  6.4 mm in a compact 24-pin TSSOP package, the BQ33100 maximizes functionality and safety while dramatically increasing ease of use and cutting the solution cost and size for super capacitor applications.

#### Device Information<sup>(1)</sup>

PART NUMBER	PACKAGE	BODY SIZE (NOM)
BQ33100	TSSOP (24)	7.80 mm $\times$ 4.40 mm

(1) For all available packages, see the orderable addendum at the end of the data sheet.

#### Simplified Schematic



## Table of Contents

<b>1</b>	<b>Features</b> .....	<b>1</b>	7.19	Current Protection Thresholds .....	<b>10</b>
<b>2</b>	<b>Applications</b> .....	<b>1</b>	7.20	Current Protection Timing .....	<b>10</b>
<b>3</b>	<b>Description</b> .....	<b>1</b>	7.21	Timing Requirements: SMBus .....	<b>11</b>
<b>4</b>	<b>Revision History</b> .....	<b>2</b>	7.22	Typical Characteristics .....	<b>12</b>
<b>5</b>	<b>Description (Continued)</b> .....	<b>4</b>	<b>8</b>	<b>Detailed Description</b> .....	<b>12</b>
<b>6</b>	<b>Pin Configuration and Functions</b> .....	<b>4</b>	8.1	Overview .....	<b>12</b>
<b>7</b>	<b>Specifications</b> .....	<b>5</b>	8.2	Functional Block Diagram .....	<b>14</b>
7.1	Absolute Maximum Ratings .....	<b>5</b>	8.3	Feature Description .....	<b>14</b>
7.2	ESD Ratings .....	<b>5</b>	8.4	Device Functional Modes .....	<b>29</b>
7.3	Recommended Operating Conditions .....	<b>6</b>	8.5	Programming .....	<b>30</b>
7.4	Thermal Information .....	<b>6</b>	<b>9</b>	<b>Application and Implementation</b> .....	<b>52</b>
7.5	Electrical Characteristics: General Purpose I/O .....	<b>6</b>	9.1	Application Information .....	<b>52</b>
7.6	Supply Current .....	<b>7</b>	9.2	Typical Application .....	<b>53</b>
7.7	REG27 LDO .....	<b>7</b>	<b>10</b>	<b>Power Supply Recommendations</b> .....	<b>55</b>
7.8	Coulomb Counter .....	<b>7</b>	<b>11</b>	<b>Layout</b> .....	<b>55</b>
7.9	ADC .....	<b>7</b>	11.1	Layout Guidelines .....	<b>55</b>
7.10	External Capacitor Voltage Balance Drive .....	<b>8</b>	11.2	Layout Example .....	<b>56</b>
7.11	Capacitor Voltage Monitor .....	<b>8</b>	<b>12</b>	<b>Device and Documentation Support</b> .....	<b>59</b>
7.12	Internal Temperature Sensor .....	<b>8</b>	12.1	Documentation Support .....	<b>59</b>
7.13	Thermistor Measurement Support .....	<b>8</b>	12.2	Support Resources .....	<b>59</b>
7.14	Internal Thermal Shutdown .....	<b>8</b>	12.3	Trademarks .....	<b>59</b>
7.15	High-Frequency Oscillator .....	<b>8</b>	12.4	Electrostatic Discharge Caution .....	<b>59</b>
7.16	Low-Frequency Oscillator .....	<b>9</b>	12.5	Glossary .....	<b>59</b>
7.17	RAM Backup .....	<b>9</b>	<b>13</b>	<b>Mechanical, Packaging, and Orderable Information</b> .....	<b>59</b>
7.18	Flash .....	<b>9</b>			

## 4 Revision History

NOTE: Page numbers for previous revisions may differ from page numbers in the current version.

Changes from Revision B (December 2015) to Revision C	Page
• Changed <i>Recommended Operating Conditions</i> .....	<b>6</b>
• Changed <i>OC Dsg</i> .....	<b>43</b>
• Changed <i>OC Dsg Time</i> .....	<b>44</b>
• Changed <i>SC Dsg Cfg</i> .....	<b>45</b>
• Changed <i>SC Chg Cfg</i> .....	<b>46</b>
• Changed <i>Initial 1st Capacitance</i> .....	<b>47</b>
• Changed <i>Capacitance</i> .....	<b>47</b>
• Changed <i>Measurement Margin %</i> .....	<b>50</b>
• Changed <i>Max Dsg Time</i> .....	<b>51</b>
• Changed <i>V Chg Nominal</i> .....	<b>51</b>
• Changed <i>V Chg A</i> .....	<b>51</b>
• Changed <i>V Chg B</i> .....	<b>51</b>
• Changed <i>V Chg Max</i> .....	<b>51</b>
• Changed <i>Min Voltage</i> .....	<b>51</b>
• Changed <i>Learning Frequency</i> .....	<b>52</b>

**Changes from Revision A (March 2011) to Revision B** **Page**


---

- Added *ESD Ratings* table, *Feature Description* section, *Device Functional Modes*, *Application and Implementation* section, *Power Supply Recommendations* section, *Layout* section, *Device and Documentation Support* section, and *Mechanical, Packaging, and Orderable Information* section ..... 1
  - OperationStatus() register bit 9 change from RSVD to CHGOR..... 38
- 

**Changes from Original (January 2011) to Revision A** **Page**


---

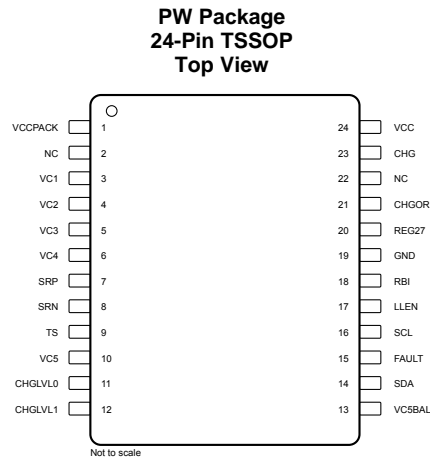
- Changed SYSTEM PARTITIONING DIAGRAM..... 14
  - Changed Voltage as Current During Learning graphic. .... 15
  - Changed equation 1 denominator from (V[D] - [C]) to (V[C] - V[D])..... 15
  - Changed Application Reference Schematic. .... 53
-

## 5 Description (Continued)

Using its integrated high-performance analog peripherals, the BQ33100 battery manager measures and maintains an accurate record of available capacitance, state-of-health, voltage, current, temperature, and other critical parameters in super capacitors, and reports the information to the system host controller over a 2-wire SMBus 1.1 compatible interface.

The BQ33100 provides firmware-controlled protection on overvoltage, overtemperature, and overcharge, along with hardware-controlled protection for overcurrent in discharge and short circuit protection during charge and discharge.

## 6 Pin Configuration and Functions



### Pin Functions

PIN		TYPE <sup>(1)</sup>	DESCRIPTION
NAME	NO.		
CHG	23	O	P-Channel FET drive for controlling charge
CHGLVL0	11	O	Charge Control Output 0
CHGLVL1	12	O	Charge Control Output 1
CHGOR	21	I	CHG override input. If not used, connect to VSS.
FAULT	15	O	Active high output to indicate fault condition
GND	19	P	Ground
LLEN	17	O	Learn Load Enable Output
NC	2	O	Not used and must be connected to VCC
NC	22	—	No connect. Leave the NC pin floating.
RBI	18	P	RAM backup pin to provide backup potential to the internal DATA RAM if power is momentarily lost by using a capacitor attached between RBI and GND.
REG27	20	P	Internal power supply 2.7-V bias output
SCL	16	I/OD	Serial clock input: Clocks data on SDA
SDA	14	I/OD	Serial data: transmits and receives data
SRN	8	IA	Analog input pin connected to the internal ADC peripheral for measuring a small voltage between SRP and SRN where SRN is the bottom of the sense resistor.
SRP	7	IA	Analog input pin connected to the internal ADC peripheral for measuring a small voltage between SRP and SRN where SRP is the top of the sense resistor.
TS	9	IA	Thermistor input
VC1	3	IA	Sense voltage input terminal and external capacitor voltage balancing drive output for the 5th-series capacitor, and stack measurement input. See <a href="#">Series Capacitor Configuration</a> for systems with less than 5 series.

(1) I = Input, O = Output, P = Power, IA = Analog Input, OD = Open Drain

### Pin Functions (continued)

PIN		TYPE <sup>(1)</sup>	DESCRIPTION
NAME	NO.		
VC2	4	IA	Sense voltage input terminal and external capacitor voltage balancing drive output for the 4th-series capacitor. See <a href="#">Series Capacitor Configuration</a> for systems with less than 5 series.
VC3	5	IA	Sense voltage input terminal and external capacitor voltage balancing drive output for the 3rd-series capacitor. See <a href="#">Series Capacitor Configuration</a> for systems with less than 5 series.
VC4	6	IA	Sense voltage input terminal and external capacitor voltage balancing drive output for the 2nd-series capacitor. See <a href="#">Series Capacitor Configuration</a> for systems with less than 5 series.
VC5	10	IA	Sense voltage input terminal and external capacitor voltage balancing drive output for the 1st capacitor. See <a href="#">Series Capacitor Configuration</a> for systems with less than 5 series.
VC5BAL	13	O	Cell balance control output for the least positive capacitor (only used in a 5-series capacitor configuration)
VCCPACK	1	P	Power supply from the super capacitors. The top of the super capacitor stack must be connected to this pin.
VCC	24	P	Positive input from power supply

## 7 Specifications

### 7.1 Absolute Maximum Ratings

Over operating free-air temperature range (unless otherwise noted)<sup>(1)</sup>

			MIN	MAX	UNIT
$V_{MAX}$	Supply voltage	VCC w.r.t. GND	-0.3	34	V
$V_{IN}$	Input voltage	VC1, VCC	$V_{VC2} - 0.3$	$V_{VC2} + 8.5$ or 34, whichever is lower	V
		VC2	$V_{VC3} - 0.3$	$V_{VC3} + 8.5$	V
		VC3	$V_{VC4} - 0.3$	$V_{VC4} + 8.5$	V
		VC4	$V_{SRP} - 0.3$	$V_{SRP} + 8.5$	V
		SRP, SRN	-0.3	$V_{REG27}$	V
		SDA, SCL	-0.3	6.0	V
		CHGOR	-0.3	VCC	V
		TS, VC5, CHGLVL0, CHGLVL1, FAULT	-0.3	$V_{REG27} + 0.3$	V
$V_O$	Output voltage	CHG	-0.3	VCC	V
		VC5BAL	-0.3	$V_{REG27} + 0.3$	V
		RBI, REG27	-0.3	2.75	V
$I_{SS}$	Maximum combined sink current for input pins		50	mA	
$T_{FUNC}$	Functional temperature		-40	110	°C
$T_{stg}$	Storage temperature		-65	150	°C

(1) Stresses beyond those listed under *Absolute Maximum Ratings* may cause permanent damage to the device. These are stress ratings only, which do not imply functional operation of the device at these or any other conditions beyond those indicated under *Recommended Operating Conditions*. Exposure to absolute-maximum-rated conditions for extended periods may affect device reliability.

### 7.2 ESD Ratings

		VALUE	UNIT
$V_{(ESD)}$	Electrostatic discharge	Human-body model (HBM), per ANSI/ESDA/JEDEC JS-001 <sup>(1)</sup>	±2000
		Charged-device model (CDM), per JEDEC specification JESD22-C101 <sup>(2)</sup>	±500

(1) JEDEC document JEP155 states that 500-V HBM allows safe manufacturing with a standard ESD control process.

(2) JEDEC document JEP157 states that 250-V CDM allows safe manufacturing with a standard ESD control process.

### 7.3 Recommended Operating Conditions

Over operating free-air temperature range (unless otherwise noted)

		MIN	NOM	MAX	UNIT
Supply voltage	VCC			25	V
	VCC	3.8		$V_{VCC2} + 5$	
$V_{STARTUP}$	Start up voltage at VCC		5.2	5.5	V
$V_{SHUTDOWN}$	VCC or VCCPACK, whichever is higher	3	3.2	3.3	V
$V_{IN}$	Input voltage	VC1, VCC	$V_{VCC2}$	$V_{VCC2} + 5$	V
		VC2	$V_{VCC3}$	$V_{VCC3} + 5$	
		VC3	$V_{VCC4}$	$V_{VCC4} + 5$	
		VC4	$V_{SRP}$	$V_{SRP} + 5$	
		$VCn - VC(n + 1)$ , (n=1, 2, 3, 4 )	0	5	
		VC5	0	1	
		VCC		25	
		CHGOR	0	$VCC - 0.3$	
	SRP to SRN	-0.3	1	V	
$C_{REG27}$	External 2.7-V REG capacitor	1			$\mu F$
$T_{OPR}$	Operating temperature	-40		85	$^{\circ}C$

### 7.4 Thermal Information

THERMAL METRIC <sup>(1)</sup>		BQ33100	UNIT
		PW (TSSOP)	
		24 PINS	
$R_{\theta JA}$	Junction-to-ambient thermal resistance	83.6	$^{\circ}C/W$
$R_{\theta JC(top)}$	Junction-to-case (top) thermal resistance	16.5	$^{\circ}C/W$
$R_{\theta JB}$	Junction-to-board thermal resistance	39.4	$^{\circ}C/W$
$\psi_{JT}$	Junction-to-top characterization parameter	0.4	$^{\circ}C/W$
$\psi_{JB}$	Junction-to-board characterization parameter	38.8	$^{\circ}C/W$
$R_{\theta JC(bot)}$	Junction-to-case (bottom) thermal resistance	—	$^{\circ}C/W$

(1) For more information about traditional and new thermal metrics, see the *Semiconductor and IC Package Thermal Metrics* application report ([SPRA953](#)).

### 7.5 Electrical Characteristics: General Purpose I/O

Typical values stated where  $T_A = 25^{\circ}C$  and  $VCC = VCC = 14.4 V$ , minimum and maximum values stated where  $T_A = -40^{\circ}C$  to  $85^{\circ}C$  and  $VCC = VCC = 3.8 V$  to  $25 V$  (unless otherwise noted)

PARAMETER	TEST CONDITIONS	MIN	TYP	MAX	UNIT
$V_{IH}$	High-level input voltage	SDA, SCL, TS, VC5	2		V
$V_{IL}$	Low-level input voltage	SDA, SCL, TS, VC5		0.8	V
$V_{OH}$	Output voltage high	SDA, SCL, VC5BAL, CHGLVL0, CHGLVL1, LLEN, FAULT, $I_L = -0.5 mA$	$V_{REG27} - 0.5$		V
$V_{OL}$	Low-level output voltage	SDA, SCL, VC5BAL, CHGLVL0, CHGLVL1, LLEN, FAULT, $I_L = 7 mA$		0.4	V
$C_{IN}$	Input capacitance		5		pF
$I_{lkg}$	Input leakage current	SDA, SCL, TS, VC5, CHGLVL0, CHGLVL1, LLEN, FAULT SDA and SCL pulldown disabled		1	$\mu A$
$V_{CHGOR}$	CHG override active high		0.8	2 3.2	V
$R_{PD(SMBx)}$	SDA and SCL pulldown	$T_A = -40^{\circ}C$ to $100^{\circ}C$	600	950 1300	k $\Omega$
$R_{PAD}$	Pad resistance	TS	87	110	$\Omega$

## 7.6 Supply Current

Typical values stated where  $T_A = 25^\circ\text{C}$  and  $V_{CC} = V_{CC} = 14.4\text{ V}$ , minimum and maximum values stated where  $T_A = -40^\circ\text{C}$  to  $85^\circ\text{C}$  and  $V_{CC} = V_{CC} = 3.8\text{ V}$  to  $25\text{ V}$  (unless otherwise noted)

PARAMETER		TEST CONDITIONS	MIN	TYP	MAX	UNIT
$I_{CC}$	NORMAL mode	Firmware running, no flash writes		660		$\mu\text{A}$
$I_{SHUTDOWN}$	SHUTDOWN mode	$T_A = -40^\circ\text{C}$ to $110^\circ\text{C}$		0.5	1	$\mu\text{A}$

## 7.7 REG27 LDO

Typical values stated where  $T_A = 25^\circ\text{C}$  and  $V_{CC} = V_{CC} = 14.4\text{ V}$ , minimum and maximum values stated where  $T_A = -40^\circ\text{C}$  to  $85^\circ\text{C}$  and  $V_{CC} = V_{CC} = 3.8\text{ V}$  to  $25\text{ V}$  (unless otherwise noted)

PARAMETER		TEST CONDITIONS		MIN	TYP	MAX	UNIT
$V_{REG-}$	Regulator output voltage	$I_{REG27} = 10\text{ mA}$	$T_A = -40^\circ\text{C}$ to $85^\circ\text{C}$	2.5	2.7	2.75	V
$V_{REG27IT-}$	Negative-going POR voltage	At REG27		2.22	2.35	2.34	V
$V_{REG27IT+}$	Positive-going POR voltage	At REG27		2.25	2.5	2.6	V
$\Delta V_{(REGTEMP)}$	Regulator output change with temperature	$I_{REG} = 10\text{ mA}$	$T_A = -40^\circ\text{C}$ to $85^\circ\text{C}$	±0.5%			
$\Delta V_{(REGLINE)}$	Line regulation	$I_{REG} = 10\text{ mA}$			±2	±4	mV
$\Delta V_{(REGLOAD)}$	Load regulation	$I_{REG} = 0.2$ to $10\text{ mA}$			±20	±40	mV
$I_{(REGMAX)}$	Current limit			25		50	mA

## 7.8 Coulomb Counter

Typical values stated where  $T_A = 25^\circ\text{C}$  and  $V_{CC} = V_{CC} = 14.4\text{ V}$ , minimum and maximum values stated where  $T_A = -40^\circ\text{C}$  to  $85^\circ\text{C}$  and  $V_{CC} = V_{CC} = 3.8\text{ V}$  to  $25\text{ V}$  (unless otherwise noted)

PARAMETER	TEST CONDITIONS	MIN	TYP	MAX	UNIT
Input voltage range		-0.2		0.25	V
Conversion time	Single conversion		250		ms
Effective resolution	Single conversion	15			Bits
Integral nonlinearity	$T_A = -25^\circ\text{C}$ to $85^\circ\text{C}$		±0.007%	±0.034%	FSR
Offset error <sup>(1)</sup>	$T_A = -25^\circ\text{C}$ to $85^\circ\text{C}$		10		$\mu\text{V}$
Offset error drift			0.3	0.5	$\mu\text{V}/^\circ\text{C}$
Full-scale error <sup>(2)</sup>		-0.8%	0.2%	0.8%	
Full-scale error drift				150	PPM/ $^\circ\text{C}$
Effective input resistance		2.5			$\text{M}\Omega$

(1) Post calibration performance

(2) Uncalibrated performance. This gain error can be eliminated with external calibration.

## 7.9 ADC

Typical values stated where  $T_A = 25^\circ\text{C}$  and  $V_{CC} = V_{CC} = 14.4\text{ V}$ , minimum and maximum values stated where  $T_A = -40^\circ\text{C}$  to  $85^\circ\text{C}$  and  $V_{CC} = V_{CC} = 3.8\text{ V}$  to  $25\text{ V}$  (unless otherwise noted)

PARAMETER	TEST CONDITION	MIN	TYP	MAX	UNIT
Input voltage range	TS, VC5	-0.2		$0.8 \times V_{REG27}$	V
Conversion time			31.5		ms
Resolution (no missing codes)		16			Bits
Effective resolution		14	15		Bits
Integral nonlinearity				±0.02%	FSR
Offset error <sup>(1)</sup>			70	160	$\mu\text{V}$
Offset error drift			1		$\mu\text{V}/^\circ\text{C}$
Full-scale error	$V_{IN} = 1\text{ V}$	-0.8%	±0.2%	0.4%	
Full-scale error drift				150	PPM/ $^\circ\text{C}$
Effective input resistance		8			$\text{M}\Omega$

(1) Channel to channel offset

## 7.10 External Capacitor Voltage Balance Drive

Typical values stated where  $T_A = 25^\circ\text{C}$  and  $V_{CC} = V_{CC} = 14.4\text{ V}$ , minimum and maximum values stated where  $T_A = -40^\circ\text{C}$  to  $85^\circ\text{C}$  and  $V_{CC} = V_{CC} = 3.8\text{ V}$  to  $25\text{ V}$  (unless otherwise noted)

PARAMETER	TEST CONDITIONS	MIN	TYP	MAX	UNIT
$R_{\text{BAL\_drive}}$ Internal pulldown resistance for external capacitor voltage balance	Capacitor voltage balance ON for VC1, $V_{Ci} - V_{Ci+1} = 4\text{ V}$ , where $i = 1$ to approximately 4		5.7		k $\Omega$
	Capacitor voltage balance ON for VC2, $V_{Ci} - V_{Ci+1} = 4\text{ V}$ , where $i = 1$ to approximately 4		3.7		
	Capacitor voltage balance ON for VC3, $V_{Ci} - V_{Ci+1} = 4\text{ V}$ , where $i = 1$ to approximately 4		1.75		
	Capacitor voltage balance ON for VC4, $V_{Ci} - V_{Ci+1} = 4\text{ V}$ , where $i = 1$ to approximately 4		0.85		

## 7.11 Capacitor Voltage Monitor

Typical values stated where  $T_A = 25^\circ\text{C}$  and  $V_{CC} = V_{CC} = 14.4\text{ V}$ , minimum and maximum values stated where  $T_A = -40^\circ\text{C}$  to  $85^\circ\text{C}$  and  $V_{CC} = V_{CC} = 3.8\text{ V}$  to  $25\text{ V}$  (unless otherwise noted)

PARAMETER	TEST CONDITIONS	MIN	TYP	MAX	UNIT
CAPACITOR Voltage Measurement Accuracy	$T_A = -10^\circ\text{C}$ to $60^\circ\text{C}$		$\pm 10$	$\pm 20$	mV
	$T_A = -40^\circ\text{C}$ to $85^\circ\text{C}$		$\pm 10$	$\pm 35$	

## 7.12 Internal Temperature Sensor

Typical values stated where  $T_A = 25^\circ\text{C}$  and  $V_{CC} = V_{CC} = 14.4\text{ V}$ , minimum and maximum values stated where  $T_A = -40^\circ\text{C}$  to  $85^\circ\text{C}$  and  $V_{CC} = V_{CC} = 3.8\text{ V}$  to  $25\text{ V}$  (unless otherwise noted)

PARAMETER	TEST CONDITIONS	MIN	TYP	MAX	UNIT
$T_{\text{(TEMP)}}$ Temperature sensor accuracy			$\pm 3\%$		$^\circ\text{C}$

## 7.13 Thermistor Measurement Support

Typical values stated where  $T_A = 25^\circ\text{C}$  and  $V_{CC} = V_{CC} = 14.4\text{ V}$ , minimum and maximum values stated where  $T_A = -40^\circ\text{C}$  to  $85^\circ\text{C}$  and  $V_{CC} = V_{CC} = 3.8\text{ V}$  to  $25\text{ V}$  (unless otherwise noted)

PARAMETER	TEST CONDITIONS	MIN	TYP	MAX	UNIT
$R_{\text{ERR}}$ Internal resistor drift			-230		ppm/ $^\circ\text{C}$
R Internal resistor	TS		17	20	k $\Omega$

## 7.14 Internal Thermal Shutdown

Typical values stated where  $T_A = 25^\circ\text{C}$  and  $V_{CC} = V_{CC} = 14.4\text{ V}$ , minimum and maximum values stated where  $T_A = -40^\circ\text{C}$  to  $85^\circ\text{C}$  and  $V_{CC} = V_{CC} = 3.8\text{ V}$  to  $25\text{ V}$  (unless otherwise noted)

PARAMETER <sup>(1)</sup>	TEST CONDITIONS	MIN	TYP	MAX	UNIT
$T_{\text{MAX}}$ Maximum REG27 temperature		125		175	$^\circ\text{C}$
$T_{\text{RECOVER}}$ Recovery hysteresis temperature			10		$^\circ\text{C}$

(1) Parameters assured by design. Not production tested

## 7.15 High-Frequency Oscillator

Typical values stated where  $T_A = 25^\circ\text{C}$  and  $V_{CC} = V_{CC} = 14.4\text{ V}$ , minimum and maximum values stated where  $T_A = -40^\circ\text{C}$  to  $85^\circ\text{C}$  and  $V_{CC} = V_{CC} = 3.8\text{ V}$  to  $25\text{ V}$  (unless otherwise noted)

PARAMETER	TEST CONDITIONS	MIN	TYP	MAX	UNIT
$f_{\text{(OSC)}}$ Operating frequency of CPU clock			2.097		MHz
$f_{\text{(EIO)}}$ Frequency error <sup>(1)</sup>	$T_A = -20^\circ\text{C}$ to $70^\circ\text{C}$	-2%	$\pm 0.25\%$	2%	
	$T_A = -40^\circ\text{C}$ to $85^\circ\text{C}$	-3%	$\pm 0.25\%$	3%	
$t_{\text{(SXO)}}$ Start-up time <sup>(2)</sup>	$T_A = -25^\circ\text{C}$ to $85^\circ\text{C}$		3	6	ms

(1) The frequency drift is included and measured from the trimmed frequency at  $V_{CC} = V_{CC} = 14.4\text{ V}$ ,  $T_A = 25^\circ\text{C}$ .

(2) The start-up time is defined as the time it takes for the oscillator output frequency to be  $\pm 3\%$  when the device is already powered.



## 7.16 Low-Frequency Oscillator

Typical values stated where  $T_A = 25^\circ\text{C}$  and  $V_{CC} = V_{CC} = 14.4\text{ V}$ , minimum and maximum values stated where  $T_A = -40^\circ\text{C}$  to  $85^\circ\text{C}$  and  $V_{CC} = V_{CC} = 3.8\text{ V}$  to  $25\text{ V}$  (unless otherwise noted)

PARAMETER		TEST CONDITIONS	MIN	TYP	MAX	UNIT
$f_{(\text{LOSC})}$	Operating frequency			32.768		MHz
$f_{(\text{LEIO})}$	Frequency error <sup>(1)</sup>	$T_A = -20^\circ\text{C}$ to $70^\circ\text{C}$	-1.5%	$\pm 0.25\%$	1.5%	
		$T_A = -40^\circ\text{C}$ to $85^\circ\text{C}$	-2.5%	$\pm 0.25\%$	2.5%	
$t_{(\text{LSXO})}$	Start-up time <sup>(2)</sup>	$T_A = -25^\circ\text{C}$ to $85^\circ\text{C}$			100	ms

(1) The frequency drift is included and measured from the trimmed frequency at  $V_{CC} = V_{CC} = 14.4\text{ V}$ ,  $T_A = 25^\circ\text{C}$ .

(2) The start-up time is defined as the time it takes for the oscillator output frequency to be  $\pm 3\%$ .

## 7.17 RAM Backup

Typical values stated where  $T_A = 25^\circ\text{C}$  and  $V_{CC} = V_{CC} = 14.4\text{ V}$ , minimum and maximum values stated where  $T_A = -40^\circ\text{C}$  to  $85^\circ\text{C}$  and  $V_{CC} = V_{CC} = 3.8\text{ V}$  to  $25\text{ V}$  (unless otherwise noted)

PARAMETER		TEST CONDITIONS	MIN	TYP	MAX	UNIT
$I_{(\text{RBI})}$	RBI data-retention input current	$V_{\text{RBI}} > V_{(\text{RBI})\text{MIN}}$ , $V_{\text{REG27}} < V_{\text{REG27IT-}}$ , $T_A = 70^\circ\text{C}$ to $110^\circ\text{C}$		20	1500	nA
		$V_{\text{RBI}} > V_{(\text{RBI})\text{MIN}}$ , $V_{\text{REG27}} < V_{\text{REG27IT-}}$ , $T_A = -40^\circ\text{C}$ to $70^\circ\text{C}$			500	
$V_{(\text{RBI})}$	RBI data-retention voltage <sup>(1)</sup>		1			V

(1) Specified by design. Not production tested

## 7.18 Flash

Typical values stated where  $T_A = 25^\circ\text{C}$  and  $V_{CC} = V_{CC} = 14.4\text{ V}$ , minimum and maximum values stated where  $T_A = -40^\circ\text{C}$  to  $85^\circ\text{C}$  and  $V_{CC} = V_{CC} = 3.8\text{ V}$  to  $25\text{ V}$  (unless otherwise noted)

PARAMETER <sup>(1)</sup>		TEST CONDITIONS	MIN	TYP	MAX	UNIT
	Data retention		10			Years
	Flash programming write-cycles		20k			Cycles
$t_{(\text{ROWPROG})}$	Row programming time				2	ms
$t_{(\text{MASSERASE})}$	Mass-erase time				250	ms
$t_{(\text{PAGEERASE})}$	Page-erase time				25	ms
$I_{\text{CC}(\text{PROG})}$	Flash-write supply current			4	6	mA
$I_{\text{CC}(\text{ERASE})}$	Flash-erase supply current	$T_A = -40^\circ\text{C}$ to $0^\circ\text{C}$		8	22	mA
		$T_A = 0^\circ\text{C}$ to $85^\circ\text{C}$		3	15	

(1) Specified by design. Not production tested

## 7.19 Current Protection Thresholds

Typical values stated where  $T_A = 25^\circ\text{C}$  and  $V_{CC} = V_{CC} = 14.4\text{ V}$ , minimum and maximum values stated where  $T_A = -40^\circ\text{C}$  to  $85^\circ\text{C}$  and  $V_{CC} = V_{CC} = 3.8\text{ V}$  to  $25\text{ V}$  (unless otherwise noted)

PARAMETER		TEST CONDITIONS	MIN	TYP	MAX	UNIT
$V_{(OCD)}$	OCD detection threshold voltage range, typical	RSNS = 0	50		200	mV
		RSNS = 1	25		100	
$\Delta V_{(OCDT)}$	OCD detection threshold voltage program step	RSNS = 0		10		mV
		RSNS = 1		5		
$V_{(SCCT)}$	SCC detection threshold voltage range, typical	RSNS = 0	-100		-300	mV
		RSNS = 1	-50		-225	
$\Delta V_{(SCCT)}$	SCC detection threshold voltage program step	RSNS = 0		-50		mV
		RSNS = 1		-25		
$V_{(SCDT)}$	SCD detection threshold voltage range, typical	RSNS = 0	100		450	mV
		RSNS = 1	50		225	
$\Delta V_{(SCDT)}$	SCD detection threshold voltage program step	RSNS = 0		50		mV
		RSNS = 1		25		
$V_{(OFFSET)}$	SCD, SCC and OCD offset		-10		10	mV
$V_{(Scale\_Err)}$	SCD, SCC and OCD scale error		-10%		10%	

## 7.20 Current Protection Timing

Typical values stated where  $T_A = 25^\circ\text{C}$  and  $V_{CC} = V_{CC} = 14.4\text{ V}$ , minimum and maximum values stated where  $T_A = -40^\circ\text{C}$  to  $85^\circ\text{C}$  and  $V_{CC} = V_{CC} = 3.8\text{ V}$  to  $25\text{ V}$  (unless otherwise noted)

			MIN	NOM	MAX	UNIT
$t_{(OCDD)}$	Overcurrent in discharge delay		1		31	ms
$t_{(OCDD\_STEP)}$	OCDD step options			2		ms
$t_{(SCDD)}$	Short circuit in discharge delay	AFE.STATE_CNTRL[SCDDx2] = 0	0		915	$\mu\text{s}$
		AFE.STATE_CNTRL[SCDDx2] = 1	0		1830	
$t_{(SCDD\_STEP)}$	SCDD step options	AFE.STATE_CNTRL[SCDDx2] = 0		61		$\mu\text{s}$
		AFE.STATE_CNTRL[SCDDx2] = 1		122		
$t_{(SCCD)}$	Short circuit in charge delay		0		915	$\mu\text{s}$
$t_{(SCCD\_STEP)}$	SCCD step options			61		$\mu\text{s}$
$t_{(DETECT)}$	Current fault detect time	$V_{SRP-SRN} = V_{THRESH} + 12.5\text{ mV}$ , $T_A = -40^\circ\text{C}$ to $85^\circ\text{C}$		35	160	$\mu\text{s}$
$t_{ACC}$	Overcurrent and short circuit delay time accuracy	Accuracy of typical delay time with WDI active	-20%		20%	
		Accuracy of typical delay time with no WDI input	-50%		50%	

### 7.21 Timing Requirements: SMBus

Typical values stated where  $T_A = 25^\circ\text{C}$  and  $V_{CC} = V_{DD} = 14.4\text{ V}$ , minimum and maximum values stated where  $T_A = -40^\circ\text{C}$  to  $85^\circ\text{C}$  and  $V_{CC} = V_{DD} = 3.8\text{ V}$  to  $25\text{ V}$  (unless otherwise noted)

			MIN	NOM	MAX	UNIT
$f_{\text{SMB}}$	SMBus operating frequency	Slave mode, SCL 50% duty cycle	10		100	kHz
$f_{\text{MAS}}$	SMBus master clock frequency	Master mode, no clock low slave extend		51.2		kHz
$t_{\text{BUF}}$	Bus free time between start and stop		4.7			$\mu\text{s}$
$t_{\text{HD:STA}}$	Hold time after (repeated) start		4			$\mu\text{s}$
$t_{\text{SU:STA}}$	Repeated start setup time		4.7			$\mu\text{s}$
$t_{\text{SU:STO}}$	Stop setup time		4			$\mu\text{s}$
$t_{\text{HD:DAT}}$	Data hold time	Receive mode	0			ns
		Transmit mode	300			
$t_{\text{SU:DAT}}$	Data setup time		250			ns
$t_{\text{TIMEOUT}}$	Error signal and detect	See (1)	25		35	ms
$t_{\text{LOW}}$	Clock low period		4.7			$\mu\text{s}$
$t_{\text{HIGH}}$	Clock high period	See (2)	4		50	$\mu\text{s}$
$t_{\text{LOW:SEXT}}$	Cumulative clock low slave extend time	See (3)			25	ms
$t_{\text{LOW:MEXT}}$	Cumulative clock low master extend time	See (4)			10	ms
$t_{\text{F}}$	Clock and data fall time	See (5)			300	ns
$t_{\text{R}}$	Clock and data rise time	See (6)			1000	ns

- (1) The BQ33100 times out when any clock low exceeds  $t_{\text{TIMEOUT}}$ .
- (2)  $t_{\text{HIGH}}$  maximum is the minimum bus idle time. SCL = SDA = 1 for  $t > 50\ \mu\text{s}$  causes reset of any transaction involving BQ33100 that is in progress.
- (3)  $t_{\text{LOW:SEXT}}$  is the cumulative time a slave device is allowed to extend the clock cycles in one message from initial start to the stop.
- (4)  $t_{\text{LOW:MEXT}}$  is the cumulative time a master device is allowed to extend the clock cycles in one message from initial start to the stop.
- (5) Rise time  $t_{\text{R}} = V_{\text{ILMAX}} - 0.15$  to  $(V_{\text{IHMIN}} + 0.15)$
- (6) Fall time  $t_{\text{F}} = 0.9 V_{\text{DD}}$  to  $(V_{\text{ILMAX}} - 0.15)$

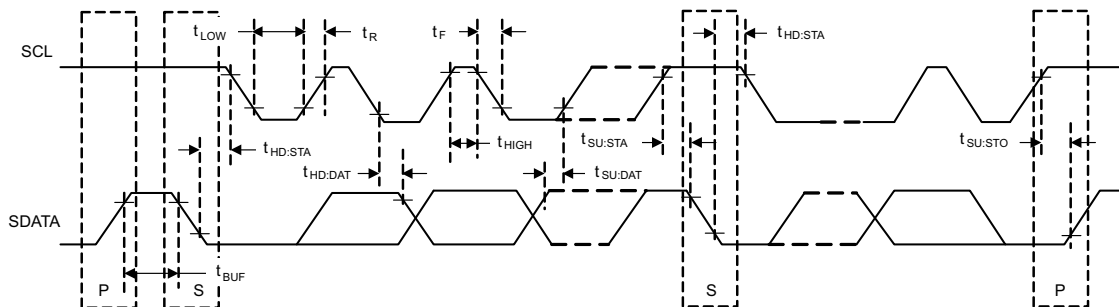


Figure 1. SMBus Timing

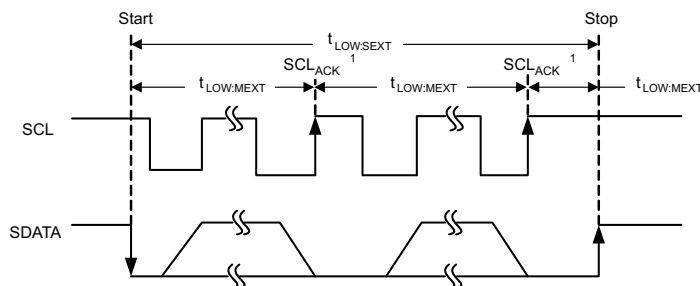
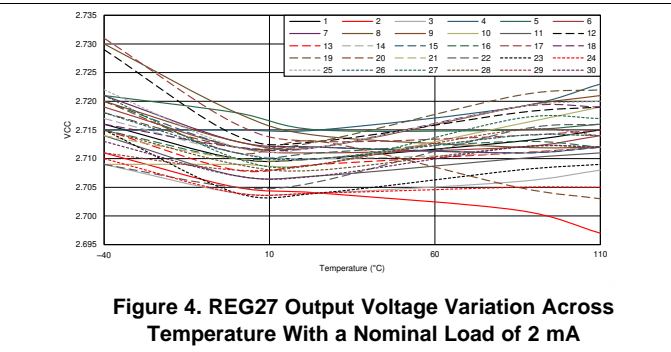
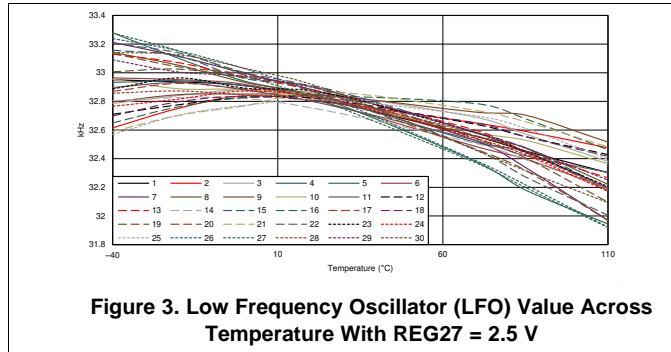


Figure 2. SMBus  $t_{\text{TIMEOUT}}$

## 7.22 Typical Characteristics



## 8 Detailed Description

### 8.1 Overview

The BQ33100 is a super capacitor monitor, balancing controller, and overall system manager. The device can individually monitor up to five series capacitors and up to nine when monitoring the total stack.

The device can also interact with an external charging solution to provide capacitance and effective series resistance (ESR) data on the stack.

#### NOTE

The following notation is used in this document if SBS commands and data flash values are mentioned within a text block:

- SBS commands are set in italic, for example: *Voltage*
- SBS bits and flags are capitalized, set in italic and enclosed with square brackets, for example: *[SS]*
- Data flash values are set in bold italic, for example: ***OV Threshold***
- All data flash bits and flags are capitalized, set in bold italic, and enclosed with square brackets, for example: ***[OV]***

All SBS commands, data flash values and flags mentioned in a chapter are listed at the beginning of each chapter for reference.

The reference format for SBS commands is:

SBS:Command Name(Command No.):Manufacturer Access(MA No.)[Flag], for example:

SBS:*Voltage*(0x09), or SBS:ManufacturerAccess(0x00):Seal Device(0x0020)

#### 8.1.1 Super Capacitor Measurements

The BQ33100 measures the series capacitor voltages or stack voltage, current, and temperature using a delta-sigma analog-to-digital converter (ADC). The BQ33100 uses this measured data and advanced algorithms to determine the state-of-health (SOH) and available capacitance of the super capacitor.

##### 8.1.1.1 Voltage

The BQ33100 has two separate modes, NORMAL mode and STACK mode, where measurements are taken and managed differently. Setting ***Operation Cfg [STACK]*** to 1 enables STACK mode; otherwise, the BQ33100 operates in NORMAL mode.

## Overview (continued)

The BQ33100 updates the individual series capacitor voltages and stack voltage at one (1) second intervals when in NORMAL mode and measures the stack voltage at one (1) second intervals when in STACK mode. The internal ADC of the BQ33100 measures the voltage, scales, and offsets, and calibrates it appropriately. To ensure an accurate differential voltage sensing, the IC ground must be connected directly to the most negative terminal of the super capacitor stack, not to the positive side of the sense resistor. This minimizes the voltage drop across the PCB trace.

### 8.1.1.2 Current, Charge, and Discharge Counting

The delta-sigma ADC measures the system current of the super capacitor by measuring the voltage drop across a small-value sense resistor (typically 5 mΩ to 20 mΩ typical) between the SRP and SRN pins. The ADC measures bipolar signals from –0.20 V to 0.25 V.

### 8.1.1.3 Device Calibration

The BQ33100 requires voltage calibration to maximize accuracy of the monitoring system, and the BQ33100 evaluation software can perform this calibration. The external filter resistors, connected from each capacitor to the VCx input of the BQ33100, are required to be 1 kΩ.

For maximum capacitor voltage measurement accuracy, the BQ33100 can automatically calibrate its offset between the A-to-D converter and the input of the high-voltage translation circuit during normal operation.

### 8.1.1.4 Temperature

The BQ33100 has an internal temperature sensor and input for an external temperature sensor input, TS. The external input is used in conjunction with an NTC thermistor (default is Semitec 103AT) to sense the super capacitor temperature. The BQ33100 can be configured to use internal or external temperature sensors.

### 8.1.1.5 Series Capacitor Configuration

The BQ33100 can monitor two, three, four, or five capacitors in series. [Table 1](#) shows the appropriate connectivity for the different options.

**Table 1. Series Capacitor Connectivity**

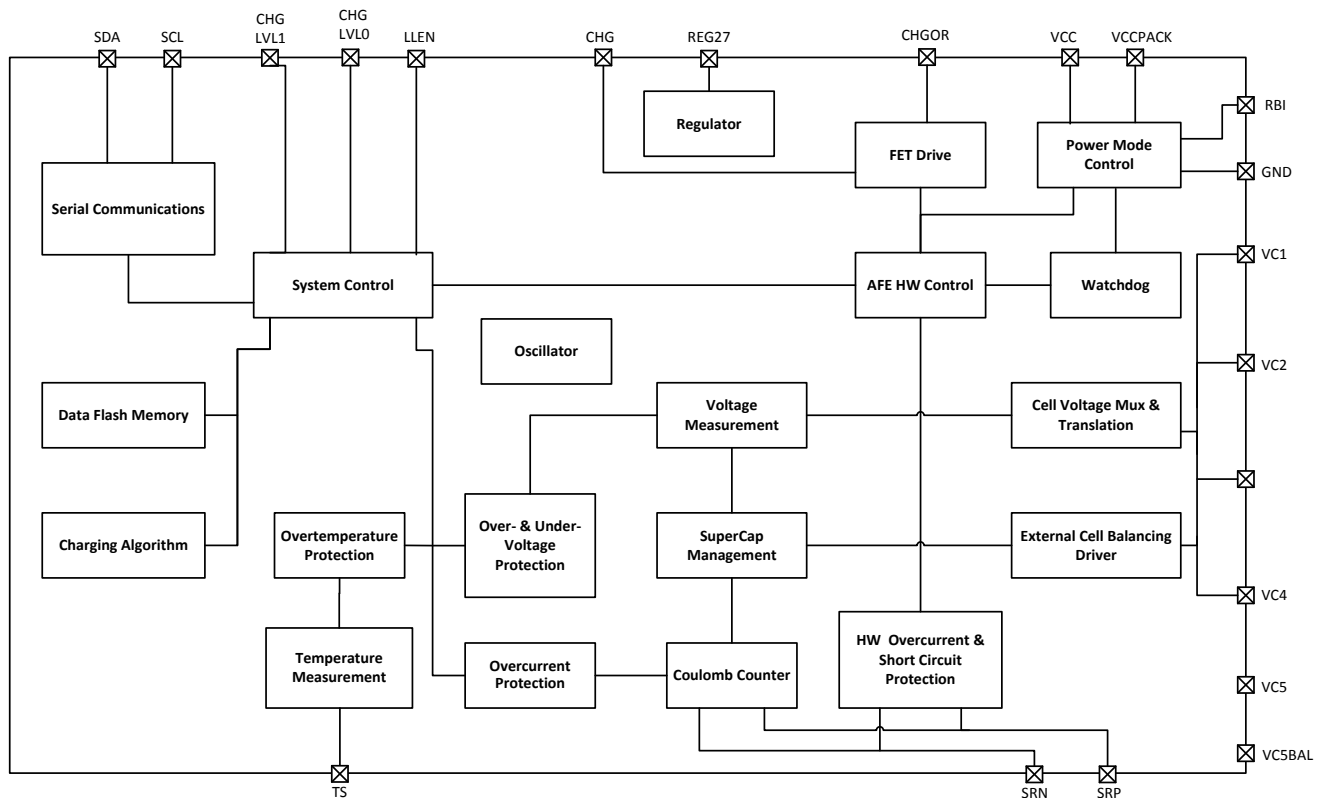
BQ33100 PIN	5-SERIES	4-SERIES	3-SERIES	2-SERIES
VC1	P of Top (5th) Cap	P of 4th Cap	Short to VC2	Short to VC2
VC2	P of 4th Cap, N of 5th Cap	P of 3rd Cap, N of 4th Cap	P of 3rd Cap	Short to VC3
VC3	P of 3rd Cap, N of 4th Cap	P of 2nd Cap, N of 3rd Cap	P of 2nd Cap, N of 3rd Cap	P of 2nd Cap
VC4	P of 2nd Cap, N of 3rd Cap	P of Bottom (1st) Cap, N of 2nd Cap	P of Bottom (1st) Cap, N of 2nd Cap	P of Bottom (1st) Cap, N of 2nd Cap
VC5	P of Bottom (1st) Cap, N of 2nd Cap	N of Bottom Cap (1st)	N of Bottom Cap (1st)	N of Bottom Cap (1st)
VSS	N of Bottom Cap (1st)	Short to VC5	Short to VC5	Short to VC5

#### NOTE

The CC0...CC2 bits in **Operation Cfg** must be programmed to match the corresponding configuration.

When in STACK mode (**Operation Cfg [STACK] = 1**), VC1 must be connected to VC2 and VC3 connected to VC4. Additionally, a *divide-by-2* resistor divider must connect between the top and bottom of the capacitor array with VC1,2 being the top, VC3,4 being the middle, and VSS being the bottom. In this configuration, pins VC5 and VC5BAL are not used and must be connected to VSS.

## 8.2 Functional Block Diagram



## 8.3 Feature Description

### 8.3.1 Capacitance Monitoring and Learning

#### 8.3.1.1 Monitoring and Control Operational Overview

The BQ33100 periodically determines the capacitance and equivalent series resistance (ESR) of the super capacitor array during normal operation. The *Learning Frequency* is a register that sets the time between automatic learning cycles of the super capacitor, which can also be manually executed by issuing a *Learn* command. The BQ33100 uses the learning cycles to update the *Capacitance* and *ESR* registers accordingly, and both are accessible through the SMBus interface.

The learning process is a multi-step procedure fully controlled by the BQ33100 that will perform the following sequence to learn capacitance and ESR:

1. Charge to ***V Learn Max***.
2. Discharge using constant current load to a minimum voltage of the present charging voltage and internally record voltage and time.
3. Charge to ***V Learn Max***.
4. Discharge using constant current load and internally record current and time.
5. Calculate capacitance and ESR based on recorded voltage and current.
6. Determine the new charging voltage.

Feature Description (continued)

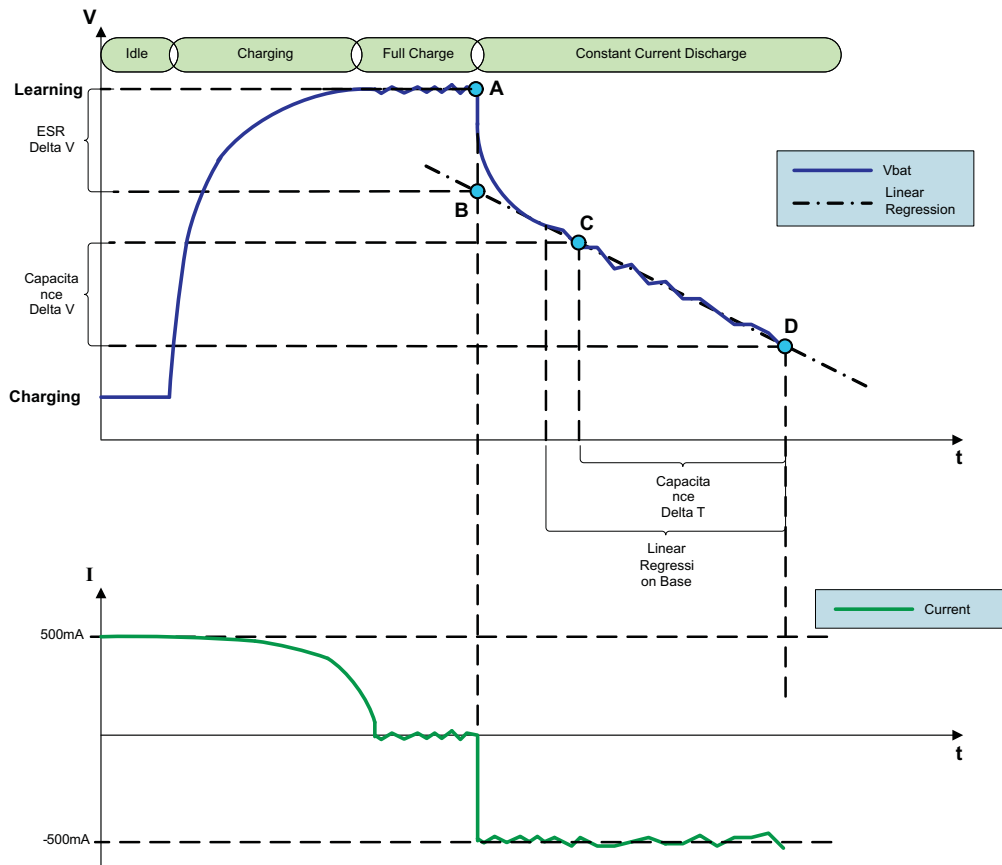


Figure 5. Voltage as Current During Learning

where:

$$C = I \times (t[D]-t[C]) / (V[C]-V[D]) \tag{1}$$

and

$$ESR = (V[A]-V[B]) / I \tag{2}$$

8.3.1.2 Main Monitoring Registers

**Capacitance** represents the total capacitance in the capacitor array and presents the value in units of F (Farads) to 1 decimal place.

On initialization, the BQ33100 sets **Capacitance** to the data flash value stored in **Initial Capacitance**. During subsequent learning cycles, the BQ33100 updates **Capacitance** with the last measured capacitance of the capacitor array. Once updated, the BQ33100 writes the new **Capacitance** value to data flash to **Capacitance**. **Capacitance** represents the full super capacitor reference for relative state-of-charge calculations.

**InitialCapacitance**—This is the first updated value of super capacitor capacitance and represented in units of F.

**RelativeStateOfCharge (RSOC)**—This represents the % of available energy. Use Equation 3 to calculate the RSOC.

$$(Voltage - \text{Min voltage}) / (\text{Charging Voltage} - \text{Min voltage}) \tag{3}$$

**Learning Frequency**—The **Learning Frequency** register sets the time between automatic learning cycles of the super capacitor, which can also be manually executed by issuing a **ManufacturerAccess Learn** command. The BQ33100 uses the learning cycles to measure the super capacitor capacitance and update the **Capacitance** register accordingly. When the BQ33100 is in UNSEALED mode then a value of 250 is used to set the learning Frequency to 10 minutes for test purposes.

## Feature Description (continued)

### 8.3.1.3 Initial Capacitance at Device Reset

The BQ33100 estimates the initial capacitance of a device reset, which is the case when the capacitors are first attached to the application circuit. This gives a reasonably accurate capacitance and RSOC value; however, super capacitor capacitance learning is required to improve the accuracy of capacitance and RSOC.

### 8.3.1.4 Qualified Capacitance Learning

The BQ33100 updates capacitance with an amount based on the value learned during a qualified learning cycle. Once updated, the BQ33100 writes the new *Capacitance* value to data flash to **Capacitance**.

The BQ33100 sets  $[CL] = 1$  and clears  $[LPASS]$  in *OperationStatus()* when a qualified capacitance learning cycle begins. The period of time that the learning takes is set by **CL Time**, although the first learning cycle after a device reset will not occur until after an elapsed time of **Learning Frequency**. When a qualified learn has occurred,  $[LPASS]$  in *OperationStatus()* is set.

During the learning process, there are specific timeouts to protect from overcharge or overdischarge of the super capacitor array. At the beginning of each phase of charge and discharge, a timer is started. If the timer exceeds **Max Discharge Time** during the discharging phase, then *OperationStatus()*  $[LDTO]$  is set. If the timer exceeds **Max Charge Time** for the charging phase, then *OperationStatus()*  $[LCTO]$  is set. The flags are cleared upon the beginning of the next learning cycle.

### 8.3.1.5 Health Determination

The BQ33100 uses [Equation 4](#) to determine the relative health of the capacitor:

$$\text{Health} = (\text{Capacitance} / \text{InitialCapacitance}) \quad (4)$$

The BQ33100 will determine a new *ChargingVoltage()* at end of the learning cycle based on the newly learned *Capacitance*. The following warnings will be set based on the changes in *ChargingVoltage()* and the capacitor's ability to provide the minimum power needs.

*ChargingVoltage()* = **V Chg Nominal**, then *SafetyStatus* $[HLOW]$ ,  $[HWARN]$  and  $[HFAIL]$  are cleared.

If *ChargingVoltage()* is set to **V Chg A** or **V Chg B**, then *SafetyStatus* $[HLOW]$  is set.

If *ChargingVoltage()* is set to **V Chg Max** then *SafetyStatus*  $[HWARN]$  is set.

If *ChargingVoltage()* is set to **V Chg Max** and the BQ33100 determines that the newly learned *Capacitance* cannot provide the minimum power requirements then *SafetyStatus*  $[HFAIL]$  is set.

The minimum power requirements is determined by the **Min Power**, **Required Time** and **Min Voltage** data flash values.

If the corresponding  $[HLOW]$ ,  $[HWARN]$  or  $[HFAIL]$  bits are set in **FAULT** when the *SafetyStatus* $[HLOW]$  or  $[HWARN]$  bit is set then the FAULT pin is set.

### 8.3.1.6 ESR Measurement

The BQ33100 measures the voltage on the capacitor stack when the LLEN pin (pin 17) is high with the initial learned value stored in **Initial ESR**, which is only updated once. The LLEN pin is controlled by firmware to enable a circuit that presents a constant current load to the full capacitor stack. With the known voltage and known current the ESR of the capacitor array can be determined. The final reported value of *ESR* is also adjusted by the data flash value of **ESR Offset**. The original value of the capacitor array *ESR* is stored in **Design ESR** but is not used by the BQ33100.

The final value of *ESR* can be read from the BQ33100 through *ESR*, which is in mΩ.

### 8.3.1.7 Monitor Operating Modes

Entry and exit of each mode is controlled by data flash parameters. In DISCHARGE mode, the  $[DSG]$  flag in *OperationStatus()* is set. DISCHARGE mode is entered when *Current* goes below (–)**Dsg Current Threshold**. DISCHARGE mode is exited when *Current* goes above **Chg Current Threshold** threshold for more than 1 second.



## Feature Description (continued)

CHARGE mode is entered when *Current* goes above **Chg Current Threshold**. CHARGE mode is exited when *Current* goes below **Dsg Current Threshold** for more than 1 second.

### 8.3.2 Capacitor Voltage Balancing

Capacitor voltage balancing in the BQ33100 is accomplished by connecting an external parallel bypass load to each capacitor, and enabling the bypass load depending on each individual capacitors voltage level. The bypass load is typically formed by a P-CH MOSFET and a resistor connected in series across each capacitor. The filter resistors that connect the capacitor tabs to VC1 to approximately VC4 pins of the BQ33100 are required to be 1 k ohms to support this function on all capacitors other than the lowest. The lowest capacitor bypass is enabled through the VC5BAL pin. Capacitor Voltage Balancing is only operational after the *ManufacturerAccess* Lifetime and Capacitor Balancing Enable (0x21) command is sent to the BQ33100.

Using this circuit, the BQ33100 balances the capacitors during charge and after charge termination by discharging those capacitors with voltage above the threshold set in **CB Threshold** and if the  $\Delta V$  in capacitor voltages exceeds the value programmed in **CB Min**. During capacitor voltage balancing, the BQ33100 measures the capacitor voltages periodically (during which time the voltage balancing circuit is turned off) and based on the capacitor voltages, the BQ33100 selects the appropriate capacitor to discharge. When  $\Delta V$  of *CapacitorVoltage5...1* < **CB Min** then capacitor voltage balancing stops. Capacitor voltage balancing restarts when  $\Delta V$  of *CapacitorVoltage5...1*  $\geq$  **CB Restart** to avoid balancing start-stop oscillations.

Capacitor voltage balancing only occurs when:

- Charging current is detected (*Current* > **Chg Current Threshold** OR
- The [FC] flag in *OperationStatus* has been set AND
- $\Delta$ *CapacitorVoltage5...1*  $\geq$  **CB Restart**.

Capacitor voltage balancing stops when:

- $\Delta$ *CapacitorVoltage5...1* < **CB Min**
- Discharging current detected (*Current* > **Dsg Current Threshold**)

This feature is disabled when in STACK mode, when *Operation Cfg [STACK]* = 1.

### 8.3.3 Charge Control

The BQ33100 supports two main charge control architectures: discrete control and smart control. In a discrete charge control implementation, the CHGLVL0 and CHGLVL1 pins can be used to adjust the charging voltage of an external supply (see the reference schematic).

As the super capacitors age a higher charging voltage can be configured to offset the deteriorating super capacitor ESR and Capacitance due to aging. With the discrete control method there are 4 levels of charging voltages that can be chosen, **V Chg Nominal**, **V Chg A**, **V Chg B** and **V Chg Max**. The setting of the charging voltage is determined by the value of the latest determined required *Charging Voltage*.

The CHGLVL0 and CHGLVL1 pin states are defined by the V Chg X parameters selected per [Table 2](#):

**Table 2. ChargingVoltage() Parameters**

CHARGINGVOLTAGE	CHGLVL1 (PIN 12)	CHGLVL0 (PIN11)
<i>V Chg Nominal</i>	0	0
<i>V Chg A</i>	0	1
<i>V Chg B</i>	1	0
<i>V Chg Max</i>	1	1

In a smart control architecture the BQ33100 makes the appropriate maximum charging current and charging voltage per the charging algorithm available through the *ChargingCurrent* and *ChargingVoltage()* SMBus commands respectively. This enables either an SMBus master or smart charger to manage the charging of the super capacitor pack.

### 8.3.3.1 Charge Termination

The BQ33100 determines charge termination if:

- The average charge current < **Taper Current** during 2 consecutive **Current Taper Window** time periods, AND
- $Voltage + Taper\ Voltage \geq ChargingVoltage()$

#### NOTE

To make sure that the charge terminates properly, TI recommends that **Taper Current** be set to a value greater than the maximum charger voltage inaccuracy. In other words, the charger taper current must be set to a lower value than the taper current programmed in the dataflash to ensure proper charge termination and the FC bit gets set.

The BQ33100 sets the [FC] flag in *OperationStatus()* when a valid charge termination occurs and cleared when *RelativeStateOfCharge* is less than **FC Clear %**.

The **taper voltage** must be set to a value less than the **OV threshold**. This prevents an over voltage condition from occurring after the CL bit clears upon learning completion.

The BQ33100 can also determine charge termination if the RSOC is at a value equal to or greater than **FC set %**. If this is not the desired means of charge termination, **FC set %** must be set to -1%.

### 8.3.3.2 CHG Override Control

During the normal operation of the BQ33100 the CHG output of the BQ33100 is typically controlled automatically but can be overridden through the CHGOR pin (pin 21). On a low-to-high transition the CHG output is released turning off the external CHG FET and on a high-to-low transition the CHG output is pulled low after a programmable delay **CHG Enable Delay**. If **CHG Enable Delay** is programmed to 0 the delay is a maximum of 250 ms. If the CHG override function is not needed, then the CHGOR pin must connect to VSS.

### 8.3.4 Lifetime Data Gathering

#### 8.3.4.1 Lifetime Maximum Temperature

During the operation lifetime of the BQ33100 it gathers temperature data. During this time the BQ33100 can be enabled to record the maximum value that the measured temperature reached. If the [LTE] flag is set in *OperationStatus*, **Lifetime Max Temp** value is updated if one of the following conditions are met:

- Internal measurement temperature – **Lifetime Max Temp** > 1°C.
- Internal measurement temperature > **Lifetime Max Temp** for a period > 60 seconds.
- Internal measurement temperature > **Lifetime Max Temp** AND any other lifetime value is updated.

**Table 3. Lifetime Maximum Temperature**

SUBCLASS ID	SUBCLASS NAME	OFFSET	NAME	FORMAT	SIZE IN BYTES	MIN VALUE	MAX VALUE	DEFAULT VALUE	UNIT
59	Lifetime Data	0	Lifetime Max Temp	Integer	2	0	1400	350	0.1°C

#### 8.3.4.2 Lifetime Minimum Temperature

During the operation lifetime of the BQ33100 it gathers temperature data. During this time the BQ33100 can be enabled to record the minimum value that the measured temperature reached. If the [LTE] flag is set, **Lifetime Min Temp** is updated if one of the following conditions are met:

- **Lifetime Min Temp** – internal measurement temperature > 1°C.
- **Lifetime Min Temp** > internal measurement temperature for a period > 60 seconds.
- **Lifetime Min Temp** > internal measurement temperature > AND any other lifetime value is updated.

**Table 4. Lifetime Minimum Temperature**

SUBCLASS ID	SUBCLASS NAME	OFFSET	NAME	FORMAT	SIZE IN BYTES	MIN VALUE	MAX VALUE	DEFAULT VALUE	UNIT
59	Lifetime Data	2	Lifetime Min Temp	Integer	2	-600	1400	50	0.1°C

### 8.3.4.3 Lifetime Maximum Capacitor Voltage

During the operation lifetime of the BQ33100, it gathers voltage data. During this time, the BQ33100 can be enabled to record the maximum value that the measured voltage reached. If the [LTE] flag is set, **Lifetime Max Capacitor Voltage** is updated if one of the following conditions are met:

- Any internally measured capacitor voltage – **Lifetime Max Capacitor Voltage** > 25 mV.
- Any internally measured capacitor voltage > **Lifetime Max Capacitor Voltage** for a period > 60 seconds.
- Any internally measured capacitor voltage **Lifetime Max Capacitor Voltage** AND any other lifetime value is updated.

**Table 5. Lifetime Max Capacitor Voltage**

SUBCLASS ID	SUBCLASS NAME	OFFSET	NAME	FORMAT	SIZE IN BYTES	MIN VALUE	MAX VALUE	DEFAULT VALUE	UNIT
59	Lifetime Data	4	Lifetime Max Capacitor Voltage	Integer	2	0	32767	0	mV

### 8.3.5 Safety Detection Features

The BQ33100 supports a wide range of super capacitor and system safety detection and protection features that are easily configured or enabled through the integrated data flash. These features are intended, through various configuration options, to provide a level of safety from external influences causing damage to components with the power path; for example, limiting the period of time the CHG FET is exposed to high current pulse charge conditions.

#### 8.3.5.1 Capacitor Overvoltage (OV)

The BQ33100 can detect capacitor overvoltage condition and protect capacitors from damage. When any *CapacitorVoltage5...1* exceeds (*ChargingVoltage()* / number of capacitors (see **Operation Cfg [CC2,1,0]**) + **OV Threshold**) the [OV] flag in *SafetyAlert* is set.

When any *CapacitorVoltage5...1* exceeds (*ChargingVoltage()* / number of capacitors (see **Operation Cfg [CC2,1,0]**) + **OV Threshold**) for a period greater than **OV Time** the [OV] flag in *SafetyStatus* is set.

When the BQ33100 is configured for PACK mode, when **Operation Cfg [STACK]** =1, then a fault is detected when *Voltage* exceeds (*ChargingVoltage()* + **OV Threshold**) the [OV] flag in *SafetyAlert* is set.

When the BQ33100 is configured for PACK mode, when **Operation Cfg [STACK]** =1, then a fault is detected when *Voltage* exceeds (*ChargingVoltage()* + **OV Threshold**) for a period greater than **OV Time** the [OV] flag in *SafetyStatus* is set.

This function is disabled if **OV Time** is set to 0.

In an overvoltage condition charging is disabled and the CHG FET is turned off, *ChargingCurrent* and *ChargingVoltage()* are set to 0.

The BQ33100 recovers from a capacitor overvoltage condition if all *CapacitorVoltages5..1* are equal to or lower than (*ChargingVoltage()* / number of capacitors (see **Operation Cfg [CC2,1,0]**) + **OV Recovery**). If the BQ33100 is configured for PACK mode, then the recover occurs when *Voltage* is equal to or lower than (*ChargingVoltage()* + **OV Recovery**).

On recovery the [OV] flag is reset, and *ChargingCurrent* and *ChargingVoltage()* are set back to appropriate values per the charging algorithm.

---

**NOTE**

When *ChargingVoltage()* has been set to 0 due to a detected condition then the capacitor overvoltage function is suspended.

---

**8.3.5.2 Capacitor Voltage Imbalance (CIM)**

The BQ33100 starts capacitor voltage imbalance detection when *Current* is less than or equal to **CIM Current** AND ALL *CapacitorVoltage5..1* > **Min CIM Check Voltage**.

When the difference between highest capacitor voltage and lowest capacitor voltage exceeds **CIM Fail Voltage** the *[CIM]* flag in *SafetyAlert* is set.

When the difference between highest capacitor voltage and lowest capacitor voltage exceeds **CIM Fail Voltage** for a period greater than **CIM Time** the *[CIM]* flag in *SafetyStatus* is set and *ChargingCurrent* and *ChargingVoltage()* are set to 0 and the CHG FET is turned off. *SafetyStatus()* *[CIM]* is cleared and CHG FET is allowed to turn ON when the differences between the highest capacitor voltage and lowest capacitor voltage is less than **CIM Recovery**.

This function is disabled if **CIM Time** is set to 0.

The capacitor voltage imbalance detection is cleared when the difference between highest capacitor voltage and lowest capacitor voltage is less than **CIM Fail Voltage**. When this is detected then the CHG FET is allowed to be turned on, if other safety and configuration states permit, *ChargingCurrent* and *ChargingVoltage()* are set to the appropriate value per the charging algorithm, and the *[CIM]* flag in *SafetyStatus* is reset.

**8.3.5.3 Weak Capacitor (CLBAD)**

When the capacitor array has been fully charged (indicated by *OperationStatus [FC]* being set) then it is monitored for excessive leakage.

When *Current* exceeds **CLBAD Current** the *[CLBAD]* flag in *SafetyAlert* is set.

When *Current* exceeds **CLBAD** for a period greater than **CLBAD Time** the *[CLBAD]* flag in *SafetyStatus* is set.

This function is disabled if **CLBAD Time** is set to 0.

In a weak capacitor condition, charging is disabled and the CHG FET is turned off, *ChargingCurrent* and *ChargingVoltage()* are set to 0.

The weak capacitor fault is cleared when *Current* falls equal to or below the **CLBAD Recovery** limit. When the recovery condition is detected, then the CHG FET is allowed to be turned on, if other safety and configuration states permit, *ChargingCurrent* and *ChargingVoltage()* are set to the appropriate value per the charging algorithm, and the *[CLBAD]* flag in *SafetyStatus* is reset.

**8.3.5.4 Overtemperature (OT)**

The BQ33100 has overtemperature protection to prevent charging at excessive temperatures.

When *Temperature* exceeds **OT Chg** the *[OT]* flag in *SafetyAlert* is set.

When *Temperature* exceeds **OT Chg** for a period greater than **OT Chg Time** the *[OT]* flag in *SafetyStatus* is set.

This function is disabled if **OT Chg Time** is set to 0.

In an overtemperature condition, charging is disabled and the CHG FET is turned off, *ChargingCurrent* and *ChargingVoltage()* are set to 0.

The overtemperature fault is cleared when *Temperature* falls equal to or below the **OT Chg Recovery** limit. When the recovery condition is detected, then the CHG FET is allowed to be turned on, if other safety and configuration states permit, *ChargingCurrent* and *ChargingVoltage()* are set to the appropriate value per the charging algorithm, and the *[OT]* flag in *SafetyStatus* is reset.

**8.3.5.5 Overcurrent During Charging (OC Chg)**

The BQ33100 has an independent level of recoverable overcurrent protection during charging.

When *Current* exceeds **OC Chg** the *[OCC]* flag in *SafetyAlert* is set.

When *Current* exceeds **OC Chg** for a period greater than **OC Chg Time** the [OCC] flag in *SafetyStatus* is set and *ChargingCurrent* and *ChargingVoltage()* are set to 0.

This function is disabled if **OC Chg Time** is set to 0.

The overcurrent fault is cleared when *Current* falls below **OC Chg Recovery**. When a charging-fault recovery condition is detected, then the CHG FET is allowed to be turned on, if other safety and configuration states permit, *ChargingCurrent* and *ChargingVoltage()* are set to the appropriate value per the charging algorithm, and the [OCC] flag in *SafetyStatus* is reset.

### 8.3.5.6 Overcurrent During Discharging (OC Dsg)

The BQ33100 overcurrent is discharge detection executed by the integrated AFE is configured by the BQ33100 data flash **OC Dsg** and **OC Dsg Time** registers.

When the integrated AFE detects a overcurrent in discharge condition the charge FET is turned off and the [OCD] flag in *SafetyStatus* is set, the internal current recovery timer is reset and *ChargingCurrent* and *ChargingVoltage()* are set to 0.

The recovery is controlled by the BQ33100 and requires that *Current* be  $\leq$  **OC Dsg Recovery** threshold and that the internal AFE current recovery timer  $\geq$  **Current Recovery Time**.

When the recovery condition is detected, *ChargingCurrent* and *ChargingVoltage()* are set to the appropriate value per the charging algorithm, and the [OCD] flag in *SafetyStatus* is reset.

### 8.3.5.7 Short-Circuit During Charging (SC Chg)

The BQ33100 short-circuit during charging protection is executed by the integrated AFE is configured by the BQ33100 data flash **SC Chg Cfg** register.

When the integrated AFE detects a short circuit fault the charge FET is turned off and the [SCC] flag in *SafetyStatus* is set, the internal current recovery timer is reset and *ChargingCurrent* and *ChargingVoltage()* are set to 0.

The recovery is controlled by the BQ33100 and requires that *AverageCurrent* be  $\leq$  **SC Recovery** threshold and that the internal AFE current recovery timer  $\geq$  **Current Recovery Time**.

When the recovery condition is detected, *ChargingCurrent* and *ChargingVoltage()* are set to the appropriate value per the charging algorithm, and the [SCC] flag in *SafetyStatus* is reset.

### 8.3.5.8 Short-Circuit During Discharging (SC Dsg)

The BQ33100 short-circuit during discharging detection is executed by the integrated AFE is configured by the BQ33100 data flash **SC Dsg Cfg** register.

When the integrated AFE detects a short circuit fault the charge FET is turned off and the [SCD] flag in *SafetyStatus* is set, the internal current recovery timer is reset and *ChargingCurrent* and *ChargingVoltage()* are set to 0.

The recovery is controlled by the BQ33100 and requires that *Current* be  $\leq$  **SC Recovery** threshold and that the internal AFE current recovery timer  $\geq$  **Current Recovery Time**.

When the recovery condition is detected, *ChargingCurrent* and *ChargingVoltage()* are set to the appropriate value per the charging algorithm, and the [SCD] flag in *SafetyStatus* is reset.

### 8.3.5.9 AFE Watchdog (WDF)

The integrated AFE automatically turns off the CHG FET and sets the [WDF] flag in *SafetyStatus* if the integrated AFE does not receive the appropriate frequency on the internal watchdog input (WDI) signal.

### 8.3.5.10 Integrated AFE Communication Fault (AFE\_C)

After a full reset the BQ33100 and the AFE offset and gain values are read twice and compared. The **AFE Init Limit** sets the maximum difference in A/D counts of two successful readings of offset and gain, which the device still considers as the same value. If the gain and offset values are still not considered the same after **AFE Init Retry Limit** comparison retries, the device reports a permanent failure error by setting *SafetyStatus()* [AFE\_C].



Additionally, the BQ33100 periodically validates its read and write communications with the integrated AFE. If either a read or write verify fails, an internal AFE\_Fail\_Counter is incremented. If the AFE\_Fail\_Counter reaches AFE Fail Limit, the BQ33100 sets the [AFE\_C] flag in SafetyStatus. An AFE communication fault condition can also be declared if, after a full reset, the initial gain and offset values read from the AFE cannot be verified. These values are A to D readings of the integrated AFE VCx signal. The integrated AFE offset values are verified by reading the values twice and confirming that the readings are within acceptable limits. The maximum number of read retries, if offset and gain value verification fails and [AFE\_C] fault is declared, is set in AFE Fail Limit. If the AFE Fail Limit is set to 0, this feature is disabled.

#### 8.3.5.11 Data Flash Fault (DFF)

The BQ33100 can detect if the data flash is not operating correctly. A permanent failure is reported when either: (i) After a full reset the instruction flash checksum does not verify; (ii) if any data flash write does not verify; or (iii) if any data flash erase does not verify

When a data flash fault is detected then the [DFF] flag in SafetyStatus is set.

#### 8.3.5.12 FAULT Indication (FAULT Pin)

The BQ33100 provides the status of the safety detection through SafetyStatus. To provide an extra indication of a fault state ( SafetyStatus ≠ 0x00) the BQ33100 will set the FAULT pin (pin 15) if the corresponding SafetyStatus bit is set in **Fault**.

### 8.3.6 Communications

The BQ33100 uses SMBus v1.1 for host communications although an SMBus slave can be communicated with through an I<sup>2</sup>C master.

#### 8.3.6.1 SMBus On and Off State

The BQ33100 detects a SMBus off state when SCL and SDA are logic-low for ≥ 2 seconds. Clearing this state requires either SCL or SDA to transition high. Within 1 ms, the communication bus is available.

### 8.3.7 Security (Enables and Disables Features)

There are two levels of secured operation within the BQ33100, Sealed and Unsealed. To switch between the levels, different operations are needed with different codes.

1. Unsealed to Sealed — The use of the *Seal* command instructs the BQ33100 to limit access to the SBS functions and data flash space and sets the [SS] flag. In SEALED mode, available standard SBS functions have access per the Smart Battery Data Specification (SBS). Extended SBS Functions and data flash are not accessible. Once in SEALED mode, the part can never permanently return to UNSEALED mode.

2. Sealed to Unsealed — Instructs the BQ33100 to extend access to the SBS and data flash space and clears the [SS] flag. In UNSEALED mode, all data, SBS, and DF have read and write access. Unsealing is a 2 step command performed by writing the 1st word of the *UnSealKey* to *ManufacturerAccess* followed by the second word of the *UnSealKey* to *ManufacturerAccess*. The unseal key can be read and changed through the extended SBS block command *UnSealKey* when in UNSEALED mode. To return to the SEALED mode, either a hardware reset is needed, or the *ManufacturerAccess Seal* command is needed.

### 8.3.8 Measurement System Calibration

The BQ33100 does not require calibration, but can be calibrated for improved measurement accuracy.

#### 8.3.8.1 Coulomb Counter Deadband

The BQ33100 does not accumulate charge or discharge for monitoring when the current input is below the **Deadband** threshold which must be set sufficiently high to prevent false signal detection with no charge or discharge flowing through the sense resistor.

#### 8.3.8.2 Auto Calibration

The BQ33100 provides an auto-calibration feature to cancel the voltage offset error across SRP and SRN for maximum charge measurement accuracy. The BQ33100 performs auto-calibration when the SMBus lines stay low continuously for a minimum of 5 s and *Temperature* is within bounds of 5°C and 45°C.

### 8.3.8.3 Current Gain

**Current Gain** sets the mA current scale factor for the coulomb counter. Use calibration routines to set this value.

**Table 6. Current Gain**

SUBCLASS ID	SUBCLASS NAME	OFFSET	NAME	FORMAT	SIZE IN BYTES	MIN VALUE	MAX VALUE	DEFAULT VALUE	UNIT
104	Data	0	Current Gain	Floating point	4	1.0E-01	4.0E+00	0.9419	mΩ

### 8.3.8.4 CC Delta

**CC Delta** sets the mF capacitance scale factor for the coulomb counter. Use calibration routines to set this value.

**Table 7. CC Delta**

SUBCLASS ID	SUBCLASS NAME	OFFSET	NAME	FORMAT	SIZE IN BYTES	MIN VALUE	MAX VALUE	DEFAULT VALUE	UNIT
104	Data	4	CC Delta	Floating point	4	2.9826E+04	1.193046E+06	280932.825	mΩ

### 8.3.8.5 Cap1 K-factor

This register value stores the ADC voltage translation factor for the top capacitor (Capacitor 1), which is connected between the VC1 and VC2 pins. By default, this value is not used and the factory calibration are in effect. This value overrides the factory calibration when the K-factor Override Flag is set to 0x9669 by the software calibration process. The calibration routine sets this value, however the value can be manually modified according to [Equation 5](#):

$$\text{New StackVoltageKfactor} = \text{Existing StackVoltageKfactor} \times \text{Actual Applied Voltage} / \text{Reported Voltage} \quad (5)$$

**Table 8. Cap1 K-factor**

SUBCLASS ID	SUBCLASS NAME	OFFSET	NAME	FORMAT	SIZE IN BYTES	MIN VALUE	MAX VALUE	DEFAULT VALUE	UNIT
104	Data	8	Cap1 K-factor	Integer	2	0	32767	20500	

### 8.3.8.6 Cap2 K-factor

This register value stores the ADC voltage translation factor for Capacitor 2, which is connected between the VC2 and VC3 pins. By default, this value is not used and the factory calibration are in effect. This value overrides the factory calibration when the K-factor Override Flag is set to 0x9669 by the software calibration process. The calibration routine sets this value, however the value can be manually modified according to [Equation 6](#):

$$\text{New StackVoltageKfactor} = \text{Existing StackVoltageKfactor} \times \text{Actual Applied Voltage} / \text{Reported Voltage} \quad (6)$$

**Table 9. Cap2 K-factor**

SUBCLASS ID	SUBCLASS NAME	OFFSET	NAME	FORMAT	SIZE IN BYTES	MIN VALUE	MAX VALUE	DEFAULT VALUE	UNIT
104	Data	10	Cap2 K-factor	Integer	2	0	32767	20500	

### 8.3.8.7 Cap3 K-factor

This register value stores the ADC voltage translation factor for Capacitor 3, which is connected between the VC3 and VC4 pins. By default, this value is not used and the factory calibration are in effect. This value overrides the factory calibration when the K-factor Override Flag is set to 0x9669 by the software calibration process. The calibration routine sets this value, however the value can be manually modified according to [Equation 7](#):

$$\text{New StackVoltageKfactor} = \text{Existing StackVoltageKfactor} \times \text{Actual Applied Voltage} / \text{Reported Voltage} \quad (7)$$

**Table 10. Cap3 K-factor**

SUBCLASS ID	SUBCLASS NAME	OFFSET	NAME	FORMAT	SIZE IN BYTES	MIN VALUE	MAX VALUE	DEFAULT VALUE	UNIT
104	Data	12	Cap3 K-factor	Integer	2	0	32767	20500	

### 8.3.8.8 Cap4 K-factor

This register value stores the ADC voltage translation factor for Capacitor 4, which is connected between the VC4 and VC5 pins. By default, this value is not used and the factory calibration are in effect. This value overrides the factory calibration when the K-factor Override Flag is set to 0x9669 by the software calibration process. The calibration routine sets this value, however the value can be manually modified according to [Equation 8](#):

$$\text{New StackVoltageKfactor} = \text{Existing StackVoltageKfactor} \times \text{Actual Applied Voltage} / \text{Reported Voltage} \quad (8)$$

**Table 11. Cap4 K-factor**

SUBCLASS ID	SUBCLASS NAME	OFFSET	NAME	FORMAT	SIZE IN BYTES	MIN VALUE	MAX VALUE	DEFAULT VALUE	UNIT
104	Data	14	Cap4 K-factor	Integer	2	0	32767	20500	

### 8.3.8.9 Cap5 K-factor

This register value stores the ADC voltage translation factor for the bottom capacitor (Capacitor 5), which is connected between the VC5 and VSS pins. The calibration routine sets this value, however the value can be manually modified according to [Equation 9](#):

$$\text{New StackVoltageKfactor} = \text{Existing StackVoltageKfactor} \times \text{Actual Applied Voltage} / \text{Reported Voltage} \quad (9)$$

**Table 12. Cap5 K-factor**

SUBCLASS ID	SUBCLASS NAME	OFFSET	NAME	FORMAT	SIZE IN BYTES	MIN VALUE	MAX VALUE	DEFAULT VALUE	UNIT
104	Data	16	Cap5 K-factor	Integer	2	0	32767	20500	

### 8.3.8.10 K-factor Override Flag

This register value is by default 0, indicating that the factory calibrated K-factors are being used. If this register is set to 0x9669, Cap1 to approximately Cap5 K-factors in the data flash are used for voltage translation.

**Table 13. K-factor Override Flag**

SUBCLASS ID	SUBCLASS NAME	OFFSET	NAME	FORMAT	SIZE IN BYTES	MIN VALUE	MAX VALUE	DEFAULT VALUE	UNIT
104	Data	18	K-factor Override Flag	Hex	2	0x0	0xffff	0x0	

### 8.3.8.11 System Voltage K-factor

This register value stores the scale factor for the PackVoltage, voltage measured at the VCCPACK pin of the BQ33100. The calibration routine sets this value, however the value can be manually modified according to [Equation 10](#):

$$\text{New StackVoltageKfactor} = \text{Existing StackVoltageKfactor} \times \text{Actual Applied Voltage} / \text{Reported Voltage} \quad (10)$$

**Table 14. System Voltage K-factor**

SUBCLASS ID	SUBCLASS NAME	OFFSET	NAME	FORMAT	SIZE IN BYTES	MIN VALUE	MAX VALUE	DEFAULT VALUE	UNIT
104	Data	20	System Voltage K-factor	Integer	2	0	32767	24500	



### 8.3.8.12 Stack Voltage K-factor

This register value stores the scale factor for the Stack Voltage, voltage measured at the VCC pin of the BQ33100. The calibration routine sets this value, however the value can be manually modified according to [Equation 11](#):

$$\text{New StackVoltageKfactor} = \text{Existing StackVoltageKfactor} \times \text{Actual Applied Voltage} / \text{Reported Voltage} \quad (11)$$

**Table 15. Stack Voltage K-factor**

SUBCLASS ID	SUBCLASS NAME	OFFSET	NAME	FORMAT	SIZE IN BYTES	MIN VALUE	MAX VALUE	DEFAULT VALUE	UNIT
104	Data	22	Stack Voltage K-factor	Integer	2	0	32767	24500	

### 8.3.8.13 K-factor Stack Override Flag

This register value is by default 0, indicating that the factory calibrated stack K-factor is being used. If this register is set to 0x9669, Stack Voltage K-factor in the data flash are used for stack voltage translation.

**Table 16. K-factor Stack Override Flag**

SUBCLASS ID	SUBCLASS NAME	OFFSET	NAME	FORMAT	SIZE IN BYTES	MIN VALUE	MAX VALUE	DEFAULT VALUE	UNIT
104	Data	24	K-factor stack Override Flag	Hex	2	0x0	0xffff	0x0	

### 8.3.8.14 CC Offset

This register value stores the coulomb counter offset compensation. It is set during CC Offset calibration, or by automatic calibration of the BQ33100 before the gauge enters shutdown. TI does not recommend to manually change this value.

**Table 17. CC Offset**

SUBCLASS ID	SUBCLASS NAME	OFFSET	NAME	FORMAT	SIZE IN BYTES	MIN VALUE	MAX VALUE	DEFAULT VALUE	UNIT
104	Data	20	CC Offset	Integer	2	-32768	32767	-7744	(mV)

### 8.3.8.15 Board Offset

This register value stores the compensation for the PCB dependant coulomb counter offset. TI recommends to use characterization data of the actual PCB to set this value.

**Table 18. Board Offset**

SUBCLASS ID	SUBCLASS NAME	OFFSET	NAME	FORMAT	SIZE IN BYTES	MIN VALUE	MAX VALUE	DEFAULT VALUE	UNIT
104	Data	22	Board Offset	Integer	2	-32767	32767	0	uV

### 8.3.8.16 Int Temp Offset

This register value stores the internal temperature sensor offset compensation. Use calibration routines to set this value

**Table 19. Int Temp Offset**

SUBCLASS ID	SUBCLASS NAME	OFFSET	NAME	FORMAT	SIZE IN BYTES	MIN VALUE	MAX VALUE	DEFAULT VALUE	UNIT
104	Data	24	Int Temp Offset	Integer	1	-128	127	0	0.1°C

### 8.3.8.17 Ext1 Temp Offset

This register value stores the temperature sensor offset compensation for the external temperature sensor 1 connected at the TS pin of the BQ33100. Use calibration routines to set this value

**Table 20. Ext1 Temp Offset**

SUBCLASS ID	SUBCLASS NAME	OFFSET	NAME	FORMAT	SIZE IN BYTES	MIN VALUE	MAX VALUE	DEFAULT VALUE	UNIT
104	Data	25	Ext1 Temp Offset	Integer	1	-128	127	0	0.1°C

### 8.3.8.18 CC Current

This value sets the current used for the CC calibration when in CALIBRATION mode.

**Table 21. CC Current**

SUBCLASS ID	SUBCLASS NAME	OFFSET	NAME	FORMAT	SIZE IN BYTES	MIN VALUE	MAX VALUE	DEFAULT VALUE	UNIT
105	Config	0	CC Current	Integer	2	0	32767	3000	mA

### 8.3.8.19 Voltage Signal

This value sets the voltage used for calibration when in CALIBRATION mode.

**Table 22. Voltage Signal**

SUBCLASS ID	SUBCLASS NAME	OFFSET	NAME	FORMAT	SIZE IN BYTES	MIN VALUE	MAX VALUE	DEFAULT VALUE	UNIT
105	Config	2	Voltage Signal	Integer	2	0	32767	12600	mV

### 8.3.8.20 Temp Signal

This value sets the temperature used for the temperature calibration in CALIBRATION mode.

**Table 23. Temp Signal**

SUBCLASS ID	SUBCLASS NAME	OFFSET	NAME	FORMAT	SIZE IN BYTES	MIN VALUE	MAX VALUE	DEFAULT VALUE	UNIT
105	Config	4	Temp Signal	Integer	2	0	32767	298	0.1°K

### 8.3.8.21 CC Offset Time

This value sets the time used for the CC Offset calibration in CALIBRATION mode. More time means more accuracy. The legitimate values for this constant are integer multiples of 250. Numbers less than 250 will cause a CC Offset calibration error. Numbers greater than 250 will be rounded down to the nearest multiple of 250.

**Table 24. CC Offset Time**

SUBCLASS ID	SUBCLASS NAME	OFFSET	NAME	FORMAT	SIZE IN BYTES	MIN VALUE	MAX VALUE	DEFAULT VALUE	UNIT
105	Config	6	CC Offset Time	Unsigned Integer	2	0	65535	250	s (ms)

### 8.3.8.22 ADC Offset Time

This constant defines the time for the ADC Offset calibration in CALIBRATION mode. More time means more accuracy. The legitimate values for this constant are integer multiples of 32. Numbers less than 32 will cause an ADC offset calibration error. Numbers greater than 32 will be rounded down to the nearest multiple of 32.

**Table 25. ADC Offset Time**

SUBCLASS ID	SUBCLASS NAME	OFFSET	NAME	FORMAT	SIZE IN BYTES	MIN VALUE	MAX VALUE	DEFAULT VALUE	UNIT
105	Config	8	ADC Offset Time	Unsigned Integer	2	0	65535	32	ms

### 8.3.8.23 Current Gain Time

This constant defines the time for the Current Gain calibration in CALIBRATION mode. More time means more accuracy. The legitimate values for this constant are integer multiples of 250. Numbers less than 250 will cause a Current gain calibration error. Numbers greater than 250 will be rounded down to the nearest multiple of 250.

**Table 26. Current Gain Time**

SUBCLASS ID	SUBCLASS NAME	OFFSET	NAME	FORMAT	SIZE IN BYTES	MIN VALUE	MAX VALUE	DEFAULT VALUE	UNIT
105	Config	10	Current Gain Time	Unsigned Integer	2	0	65535	250	ms

### 8.3.8.24 Voltage Time

This constant defines the time for the voltage calibration in CALIBRATION mode. More time means more accuracy. The legitimate values for this constant are integer multiples of 1984. Numbers less than 1984 will cause a voltage calibration error. Numbers greater than 1984 will be rounded down to the nearest multiple of 1984.

**Table 27. Voltage Time**

SUBCLASS ID	SUBCLASS NAME	OFFSET	NAME	FORMAT	SIZE IN BYTES	MIN VALUE	MAX VALUE	DEFAULT VALUE	UNIT
105	Config	12	Voltage Time	Unsigned Integer	2	0	65535	1888	ms

### 8.3.8.25 Temperature Time

This constant defines the time for the temperature calibration in CALIBRATION mode. More time means more accuracy. The legitimate values for this constant are integer multiples of 32. Numbers less than 32 will cause a temperature calibration error. Numbers greater than 32 will be rounded down to the nearest multiple of 32.

**Table 28. Temperature Time**

SUBCLASS ID	SUBCLASS NAME	OFFSET	NAME	FORMAT	SIZE IN BYTES	MIN VALUE	MAX VALUE	DEFAULT VALUE	UNIT
105	Config	14	Temperature Time	Unsigned Integer	2	0	65535	32	ms

### 8.3.8.26 Cal Mode Timeout

The BQ33100 will exit CALIBRATION mode automatically after a **Cal Mode Timeout** period.

**Table 29. Cal Mode Timeout**

SUBCLASS ID	SUBCLASS NAME	OFFSET	NAME	FORMAT	SIZE IN BYTES	MIN VALUE	MAX VALUE	DEFAULT VALUE	UNIT
105	Config	17	Cal Mode Timeout	Unsigned Integer	2	0	65535	38400	1/128 s (s)

### 8.3.8.27 Ext Coef a1..a5, b1..b4, Ext rc0, Ext adc0

These values characterize the external thermistor connected to the TS pin of the BQ33100. The default values characterize the Semitec 103AT NTC thermistor. Do not modify these values without consulting TI.

**Table 30. Ext Coef a1..a5, b1..b4, Ext rc0, Ext adc0**

SUBCLASS ID	SUBCLASS NAME	OFFSET	NAME	FORMAT	SIZE IN BYTES	MIN VALUE	MAX VALUE	DEFAULT VALUE	UNIT
106	Temp Model	0	Ext Coef a1	Integer	2	-32768	32767	-11130	num
		2	Ext Coef a2					19142	
		4	Ext Coef a3					-19262	
		6	Ext Coef a4					28203	
		8	Ext Coef a5					892	
		10	Ext Coef b1					328	
		12	Ext Coef b2					-605	
		14	Ext Coef b3					-2443	
		16	Ext Coef b4					4696	
		18	Ext rc0					11703	
		20	Ext adc0					11338	

### 8.3.8.28 Rpad

This value characterizes the pad resistance of the BQ33100. Do not modify without consulting TI.

**Table 31. Rpad**

SUBCLASS ID	SUBCLASS NAME	OFFSET	NAME	FORMAT	SIZE IN BYTES	MIN VALUE	MAX VALUE	DEFAULT VALUE	UNIT
106	Temp Model	22	Rpad	Integer	2	-32768	32767	87	Ω

### 8.3.8.29 Rint

This value characterizes the internal resistance of the BQ33100. Do not modify without consulting TI.

**Table 32. Rint**

SUBCLASS ID	SUBCLASS NAME	OFFSET	NAME	FORMAT	SIZE IN BYTES	MIN VALUE	MAX VALUE	DEFAULT VALUE	UNIT
106	Temp Model	24	Rint	Integer	2	-32768	32767	17740	Ω

### 8.3.8.30 Int Coef 1..4, Int Min AD, Int Max Temp

These values characterize the internal thermistor of the BQ33100. Do not modify these values without consulting TI.

**Table 33. Int Coef 1..4, Int Min AD, Int Max Temp**

SUBCLASS ID	SUBCLASS NAME	OFFSET	NAME	FORMAT	SIZE IN BYTES	MIN VALUE	MAX VALUE	DEFAULT VALUE	UNIT
106	Temp Model	26	Int Coef 1	Integer	2	-32768	32767	0	s
		28	Int Coef 2					0	
		30	Int Coef 3					-12263	
		32	Int Coef 4					6106	
		34	Int Min AD					0	
		36	Int Max Temp					6106	0.1°K

### 8.3.8.31 Filter

**Filter** defines the filter constant used in the AverageCurrent calculation, [Equation 12](#):

$$\text{AverageCurrent}_{\text{new}} = a \times \text{AverageCurrent}_{\text{old}} + (1 - a) \times \text{Current}$$

where

- $a = \langle \text{Filter} \rangle / 256$ ; the time constant =  $1 \text{ sec} / \ln(1/a)$  (default 14.5 sec) (12)

**Table 34. Filter**

SUBCLASS ID	SUBCLASS NAME	OFFSET	NAME	FORMAT	SIZE IN BYTES	MIN VALUE	MAX VALUE	DEFAULT VALUE	UNIT
107	Current	0	Filter	Unsigned Integer	1	0	255	239	

### 8.3.8.32 Deadband

Any current within  $\pm \text{DeadBand}$  will be reported as 0 mA by the *Current* function.

**Table 35. Deadband**

SUBCLASS ID	SUBCLASS NAME	OFFSET	NAME	FORMAT	SIZE IN BYTES	MIN VALUE	MAX VALUE	DEFAULT VALUE	UNIT
107	Current	1	Deadband	Unsigned Integer	1	0	255	0	mA

### 8.3.8.33 CC Deadband

This constant defines the deadband voltage for the measured voltage between the SR1 and SR2 pins used for capacitance accumulation in units of 294 nV. Any voltages within  $\pm \text{CC Deadband}$  do not contribute to capacitance accumulation.

**Table 36. CC Deadband**

SUBCLASS ID	SUBCLASS NAME	OFFSET	NAME	FORMAT	SIZE IN BYTES	MIN VALUE	MAX VALUE	DEFAULT VALUE	UNIT
107	Current	2	Deadband	Unsigned Integer	1	0	255	10	294 nV

## 8.4 Device Functional Modes

The BQ33100 supports two power modes:

- In NORMAL mode, the BQ33100 performs measurements, calculations, protection decisions, and data updates in 1 second intervals. Between these intervals, the BQ33100 is in a reduced power mode.
- In SHUTDOWN mode, the BQ33100 is powered down with only a voltage based wake function operating.

### 8.4.1 Operating Power Modes

The BQ33100 has two operating power modes, NORMAL and SHUTDOWN mode.

**NORMAL mode**—During normal operation, the BQ33100 takes *Current*, *Voltage*, and *Temperature* measurements, performs calculations, updates SBS data, and makes protection and status decisions at one-second intervals. Between these periods of activity, the BQ33100 is in a reduced power state.

**SHUTDOWN mode**—The BQ33100 enters SHUTDOWN mode if the following conditions are met:

- $V_{VCC} \leq$  Minimum operating voltage
- *ManufacturerAccess*: *Shutdown* command received AND *Current* = 0 AND *Voltage* < **Shutdown Voltage** threshold.

Upon initial power up or a reset of the BQ33100, application of a voltage  $> V_{\text{STARTUP}}$  must be applied to the VCCPACK pin. The BQ33100 will then power up and enter NORMAL mode.

## 8.5 Programming

### 8.5.1 Communications

The BQ33100 uses SMBus v1.1 with optional packet error checking (PEC) per the SMBus specification.

#### 8.5.1.1 BQ33100 Slave Address

The BQ33100 uses the address 0x16 on SMBus for communication.

#### 8.5.1.2 SMBus On and Off State

The BQ33100 detects an SMBus off state when SCL and SDA are logic-low for  $\geq 2$  seconds. Clearing this state requires either SCL or SDA to transition high. Within 1 ms, the communication bus is available.

#### 8.5.1.3 Packet Error Checking

The BQ33100 can receive data with or without PEC. In the write-word protocol, the BQ33100 receives the PEC after the last byte of data from the host. If the host does not support PEC, the last byte of data is followed by a stop condition. After receipt of the PEC, the BQ33100 compares the value to its calculation. If the PEC is correct, the BQ33100 responds with an ACKNOWLEDGE. If it is not correct, the BQ33100 responds with a NOT ACKNOWLEDGE.

### 8.5.2 SBS Commands

All SBS Values are updated in 1-second intervals. The extended SBS commands are only available when the BQ33100 device is in UNSEALED mode.

#### 8.5.2.1 SBS Command Summary

**Table 37. SBS Commands**

SBS CMD	MODE	NAME	FORMAT	SIZE IN BYTES	MIN VALUE	MAX VALUE	DEFAULT VALUE	UNIT
0x00	R/W	ManufacturerAccess	hex	2	0x0000	0xffff	—	
0x08	R	Temperature	unsigned int	2	0	65535	—	0.1°K
0x09	R	Voltage	unsigned int	2	0	65535	—	mV
0x0A	R	Current	signed int	2	-32768	32767	—	mA
0x0B	R	ESR	unsigned int	2	0	65535	—	mΩ
0x0D	R	RelativeStateOfCharge	unsigned int	1	0	100	—	%
0x0E	R	Health	unsigned int	1	0	100	—	%
0x10	R	Capacitance	unsigned int	2	0	65535	—	F
0x14	R	ChargingCurrent	unsigned int	2	0	65534	—	mA
0x15	R	ChargingVoltage	unsigned int	2	0	65534	—	mV
0x3B	R	CapacitorVoltage5	unsigned int	2	0	65534	—	mV
0x3C	R	CapacitorVoltage4	unsigned int	2	0	65535	—	mV
0x3D	R	CapacitorVoltage3	unsigned int	2	0	65535	—	mV
0x3e	R	CapacitorVoltage2	unsigned int	2	0	65535	—	mV
0x3F	R	CapacitorVoltage1	unsigned int	2	0	65535	—	mV

**Table 38. Extended SBS Commands**

SBS CMD	MODE	NAME	FORMAT	SIZE IN BYTES	MIN VALUE	MAX VALUE	DEFAULT VALUE	UNIT
0x46	R/W	FETControl	Hex	2	0x0000	0xffff	—	
0x50	R	SafetyAlert	Hex	2	0x0000	0xffff	—	
0x51	R	SafetyStatus	Hex	2	0x0000	0xffff	—	
0x54	R	OperationStatus	Hex	2	0x0000	0xf7f7	—	
0x5a	R	SystemVoltage	unsigned int	2	0	65535	—	mV

**Table 38. Extended SBS Commands (continued)**

SBS CMD	MODE	NAME	FORMAT	SIZE IN BYTES	MIN VALUE	MAX VALUE	DEFAULT VALUE	UNIT
0x60	R/W	UnSealKey	Hex	4	0x00000000	0xffffffff	—	
0x70	R/W	ManufacturerInfo	String	31+1	—	—	—	

### 8.5.2.2 SBS Command Details

The following provides detailed descriptions of the SBS commands.

#### 8.5.2.2.1 ManufacturerAccess (0x00)

This read- or write-word function provides super capacitor data to system along with access to BQ33100 controls and security features.

**Table 39. ManufacturerAccess**

SBS CMD	MODE	NAME	FORMAT	SIZE IN BYTES	MIN VALUE	MAX VALUE	DEFAULT VALUE	UNIT
0x00	R/W	ManufacturerAccess	hex	2	0x0000	0xffff	—	

**Table 40. MAC Command Summary Table**

SBS CMD	MODE	NAME	DESCRIPTION
0x0001	R	Device Type	Returns the IC part number.
0x0002	R	Firmware Version	Returns the firmware version.
0x0003	R	Hardware Version	Returns the hardware version
0x0004	R	DF Checksum	Generates a checksum of the full Data Flash (DF) array
0x0020	W	Seal	Enters SEALED mode with limited access to the extended SBS functions and data flash space
0x0021	R/W	Lifetime and Capacitor Balancing Enable	0 = Disables logging of lifetime data to non-volatile memory and disables capacitor balancing 1 = Enables logging of lifetime data to non-volatile memory and enables capacitor balancing
0x0022	R	IF Checksum	Returns the value of the Instruction Flash (IF) checksum
0x0023	W	Learn	This write function instructs the BQ33100 to enter a capacitance learning cycle(capacitance update).
0x0024	W	Learn Value Reset	This write function instructs the BQ33100 to reset the capacitance learned values (capacitance) to initial default values.
0x0025	W	Learn Initialization	This write function instructs the BQ33100 to enter a capacitance learning cycle(capacitance update) and update initial values for capacitance and ESR.
0x0030	W	FAULT Activation	Drives the FAULT pin high
0x0031	W	FAULT Clear	Sets FAULT pin low
0x0032	W	Charge Level Nominal	Drives the CHGLVL0,1 pins low
0x0033	W	Charge Level A	Drives the CHGLVL0,1 pins high, low
0x0034	W	Charge Level B	Drives the CHGLVL0,1 pins low, high
0x0035	W	Charge Level Max	Drives the CHGLVL0,1 pins high
0x0036	R	Read AD Current	Read A-to-D converter current measurement
0x0037	W	Learn Load Activation	Drives the LLEN pin high (does not activate actual learning algorithm, see 0x0023)
0x0038	W	Learn Load Clear	Sets the LLEN pin low
0x0040	W	Calibration Mode	Places BQ33100 into CALIBRATION mode
0x0041	W	Reset	BQ33100 undergoes complete reset
<i>Unseal Key</i>	W	Unseal Device	Enables access to SBS and DF space
<i>Extended SBS</i>	R/W	<i>Extended SBS Commands</i>	Access to Extended SBS commands

**8.5.2.2.1.1 Device Type (0x0001)**

Returns the IC part number

**Table 41. Device Type**

SBS CMD	MODE	NAME	FORMAT	SIZE IN BYTES	MIN VALUE	MAX VALUE	DEFAULT VALUE	UNIT
0x0001	R	Device Type	Hex	2	—	—	—	

**8.5.2.2.1.2 Firmware Version (0x0002)**

Returns the firmware version. The format is most-significant byte (MSB) = Decimal integer, and the least-significant byte (LSB) = subdecimal integer, for example: 0x0120 = version 01.20.

**Table 42. Firmware Version**

SBS CMD	MODE	NAME	FORMAT	SIZE IN BYTES	MIN VALUE	MAX VALUE	DEFAULT VALUE	UNIT
0x0002	R	Firmware Version	Hex	2	—	—	—	

**8.5.2.2.1.3 Hardware Version (0x0003)**

Returns the hardware version stored in a single byte of reserved data flash, for example: 0x00A7 = Version A7.

**Table 43. Hardware Version**

SBS CMD	MODE	NAME	FORMAT	SIZE IN BYTES	MIN VALUE	MAX VALUE	DEFAULT VALUE	UNIT
0x00	R	Hardware Version	Hex	2	—	—	—	

**8.5.2.2.1.4 DF Checksum (0x0004)**

This function is only available when the BQ33100 is in UNSEALED mode, indicated by the [SS] *OperationStatus* flag. A write to this command forces the BQ33100 to generate a checksum of the full data flash (DF) array. The generated checksum is then returned within 45 ms.

---

**NOTE**

If another SMBus command is received while the checksum is being generated, the DF checksum is generated but the response may time out.

---

**Table 44. DF Checksum**

SBS CMD	MODE	NAME	FORMAT	SIZE IN BYTES	MIN VALUE	MAX VALUE	DEFAULT VALUE	UNIT
0x0004	R	DF Checksum	Hex	2	—	—	—	

**8.5.2.2.1.5 Seal Device (0x0020)**

Instructs the BQ33100 to limit access to the extended SBS functions and data flash space, sets the [SS] flag. This command is only available when the BQ33100 is in UNSEALED mode. See [Security \(Enables and Disables Features\)](#) for detailed information.

**8.5.2.2.1.6 Lifetime and Capacitor Balancing Enable (0x0021)**

Enables and Disables the logging of lifetime data to non-volatile memory and capacitor balancing

**8.5.2.2.1.7 FAULT Activation (0x0030)**

This command drives the FAULT pin high. This command is only available when the BQ33100 is in UNSEALED mode.



**8.5.2.2.1.8 FAULT Clear (0x0031)**

This command sets the FAULT pin back to low. This command is only available when the BQ33100 is in UNSEALED mode.

**8.5.2.2.1.9 CHGLVLO Activation (0x0032)**

This command drives the CHGLVLO pin high. This command is only available when the BQ33100 is in UNSEALED mode.

**8.5.2.2.1.10 CHGLVLO Clear (0x0033)**

This command sets the CHGLVLO pin back to low. This command is only available when the BQ33100 is in UNSEALED mode.

**8.5.2.2.1.11 CHGLVL1 Activation (0x0033)**

This command drives the CHGLVLO pin high. This command is only available when the BQ33100 is in UNSEALED mode.

**8.5.2.2.1.12 CHGLVL1 Clear (0x0034)**

This command sets the CHGLVLO pin back to low. This command is only available when the BQ33100 is in UNSEALED mode.

**8.5.2.2.1.13 Learn Load Activation (0x0037)**

This command drives the LLEN pin high. This command is only available when the BQ33100 is in UNSEALED mode.

**8.5.2.2.1.14 Learn Load Clear (0x0038)**

This command sets the LLEN pin back to low. This command is only available when the BQ33100 is in UNSEALED mode.

**8.5.2.2.1.15 Calibration Mode (0x0040)**

Places the BQ33100 into CALIBRATION mode. This command is only available when the BQ33100 is in UNSEALED mode.

**8.5.2.2.1.16 Reset (0x0041)**

The BQ33100 undergoes a full reset. The BQ33100 holds the clock line down for a few milliseconds to complete the reset. If  $ChargingVoltage() < Voltage$  after a reset, then the pack is discharged using the capacitor voltage balancing circuitry. This command is only available when the BQ33100 is in UNSEALED mode.

**8.5.2.2.1.17 Unseal Device (UnsealKey)**

Instructs the BQ33100 to enable access to the SBS functions and data flash space and clear the [SS] flag. This two-step command needs to be written to *ManufacturerAccess* in the following order: 1st word of the UnSealKey followed by the 2nd word of the UnSealKey. If the command fails 4 seconds must pass before the command can be reissued. This command is only available when the BQ33100 is in SEALED mode. See [Security \(Enables and Disables Features\)](#) for detailed information.

**8.5.2.2.1.18 Extended SBS Commands**

Also available through *ManufacturerAccess* in UNSEALED mode are some of the extended SBS commands. The result of these commands need to be read from *ManufacturerAccess* after a write to *ManufacturerAccess*.

**8.5.2.2.2 Temperature (0x08)**

This read-word function returns an unsigned integer value of the temperature in units of 0.1°K, as measured by the BQ33100. It has a range of 0 to 6553.5°K. The source of the measured temperature is configured by the [TEMP1] and [TEMPO] bits in the *Operation Cfg* register.

**Table 45. Temperature**

SBS CMD	MODE	NAME	FORMAT	SIZE IN BYTES	MIN VALUE	MAX VALUE	DEFAULT VALUE	UNIT
0x08	R	Temperature	Unsigned Integer	2	0	65535	—	0.1°K

**8.5.2.2.3 Voltage (0x09)**

This read-word function returns an unsigned integer value of the capacitor stack array (voltage at the VC1 input) in mV with a range of 0 to 20000 mV.

**Table 46. Voltage**

SBS CMD	MODE	NAME	FORMAT	SIZE IN BYTES	MIN VALUE	MAX VALUE	DEFAULT VALUE	UNIT
0x09	R	Voltage	Unsigned Integer	2	0	20000	—	mV

**8.5.2.2.4 Current (0x0A)**

This read-word function returns a signed integer value of the measured current being supplied (or accepted) by the super capacitor pack in mA, with a range of –32768 to 32767. A positive value indicates charge current and a negative value indicates discharge.

Any current value within the **Deadband** will be reported as 0 mA by the *Current* function.

**Table 47. Current**

SBS CMD	MODE	NAME	FORMAT	SIZE IN BYTES	MIN VALUE	MAX VALUE	DEFAULT VALUE	UNIT
0x0A	R	Current	Unsigned Integer	2	–32768	32767	—	mA

**8.5.2.2.5 ESR (0x0B)**

This read-word function returns an unsigned integer value of the Super Capacitor array total ESR in mΩ with a range of 0 to 65535 mΩ.

**Table 48. ESR**

SBS CMD	MODE	NAME	FORMAT	SIZE IN BYTES	MIN VALUE	MAX VALUE	DEFAULT VALUE	UNIT
0x0B	R	ESR	Unsigned Integer	2	0	65535	—	mΩ

**8.5.2.2.6 RelativeStateofCharge (0x0D)**

This read-word function returns an unsigned integer value of the predicted remaining super capacitor capacitance expressed as a percentage of *Capacitance* with a range of 0 to 100%, with fractions of % rounded up.

If the **[RSOCL]** bit in **Operation Cfg** is set, then *RelativeStateofCharge* is held at 99% until primary charge termination occurs and only displays 100% upon entering primary charge termination.

If the **[RSOCL]** bit in **Operation Cfg** is cleared, then *RelativeStateofCharge* is not held at 99% until primary charge termination occurs. Fractions of % greater than 99% are rounded up to display 100%.

**Table 49. RelativeStateofCharge**

SBS CMD	MODE	NAME	FORMAT	SIZE IN BYTES	MIN VALUE	MAX VALUE	DEFAULT VALUE	UNIT
0x0D	R	RelativeStateofCharge	Unsigned Integer	1	0	100	—	%

### 8.5.2.2.7 Health (0x0E)

This read-word function returns an unsigned integer value of the predicted health of the super capacitor pack expressed as a percentage of *Capacitance / InitialCapacitance* with a range of 0 to 100%, with fractions of % rounded up.

**Table 50. Health**

SBS CMD	MODE	NAME	FORMAT	SIZE IN BYTES	MIN VALUE	MAX VALUE	DEFAULT VALUE	UNIT
0x0E	R	Health	Unsigned Integer	1	0	100	—	%

### 8.5.2.2.8 Capacitance (0x10)

This read- or write-word function returns an unsigned integer value, with a range of 0 to 65535, of the predicted full charge capacitance in the super capacitor pack. This value is expressed in F.

**Table 51. Capacitance**

SBS CMD	MODE	NAME	FORMAT	SIZE IN BYTES	MIN VALUE	MAX VALUE	DEFAULT VALUE	UNIT
0x10	R/W	Capacitance	Unsigned Integer	2	0	65534	—	F

### 8.5.2.2.9 ChargingCurrent (0x14)

This read-word function returns an unsigned integer value of the desired charging current, in mA, with a range of 0 to 65534.

**Table 52. ChargingCurrent**

SBS CMD	MODE	NAME	FORMAT	SIZE IN BYTES	MIN VALUE	MAX VALUE	DEFAULT VALUE	UNIT
0x14	R	ChargingCurrent	Unsigned Integer	2	0	65534	—	mA

### 8.5.2.2.10 ChargingVoltage (0x15)

This read-word function returns an unsigned integer value of the desired charging voltage, in mV, where the range is 0 to 65534.

**Table 53. ChargingVoltage**

SBS CMD	MODE	NAME	FORMAT	SIZE IN BYTES	MIN VALUE	MAX VALUE	DEFAULT VALUE	UNIT
0x15	R	ChargingVoltage	Unsigned Integer	2	0	65534	—	mV

### 8.5.2.2.11 CapacitorVoltage5..1 (0x3B..0x3F)

These read-word functions return an unsigned value of the calculated individual capacitor voltages, in mV, with a range of 0 to 65535. *CapacitorVoltage1* corresponds to the bottom most series capacitor element, while *CapacitorVoltage5* corresponds to the top-most series capacitor element.

**Table 54. CapacitorVoltage5..1**

SBS CMD	MODE	NAME	FORMAT	SIZE IN BYTES	MIN VALUE	MAX VALUE	DEFAULT VALUE	UNIT
0x3B	R	CapacitorVoltage 5	Unsigned Integer	2	0	65535	—	mV
0x3C		CapacitorVoltage 4						
0x3D		CapacitorVoltage 3						
0x3E		CapacitorVoltage 2						
0x3F		CapacitorVoltage 1						

#### 8.5.2.2.12 Extended SBS Commands

Also available through *ManufacturerAccess* in SEALED mode are some of the extended SBS commands. The commands available are listed below. The result of these commands needs to be read from *ManufacturerAccess* after a write to *ManufacturerAccess*.

##### 8.5.2.2.12.1 FETControl(0x46)

This write- and read-word function allows direct control of the CHG FET for test purposes. The BQ33100 overrides this command unless in NORMAL mode.

**Table 55. FETControl**

SBS CMD	MODE	NAME	FORMAT	SIZE IN BYTES	MIN VALUE	MAX VALUE	DEFAULT VALUE	UNIT
0x46	R	FETControl	hex	2	0x0000	0xffff	—	

**Figure 6. FETControl Registers**

15	14	13	12	11	10	9	8
RSVD	RSVD	RSVD	RSVD	RSVD	RSVD	RSVD	RSVD
7	6	5	4	3	2	1	0
RSVD	RSVD	RSVD	RSVD	RSVD	CHG	RSVD	RSVD

LEGEND: All values are read-only.

**CHG**—Charge (CHG) FET Control

0 = CHG FET is turned OFF.

1 = CHG FET is turned ON.

##### 8.5.2.2.12.2 SafetyAlert (0x50)

This read-word function returns indications of pending safety issues, such as running safety timers, or fail counters that are non-0, but have not reached the required time or value to trigger a *SafetyStatus* failure. These flags do not cause the FAULT pin to be set.

**Table 56. SafetyAlert**

SBS CMD	MODE	NAME	FORMAT	SIZE IN BYTES	MIN VALUE	MAX VALUE	DEFAULT VALUE	UNIT
0x50	R	SafetyAlert	hex	2	0x0000	0xffff	—	

**Figure 7. SafetyAlert Registers**

15	14	13	12	11	10	9	8
CLBAD	RSVD	RSVD	RSVD	RSVD	OTC	CIM	OV
7	6	5	4	3	2	1	0
RSVD	RSVD	RSVD	RSVD	OCC	OCD	SCC	SCD

LEGEND: All values are read-only.

- CLBAD** 1 = Excessive capacitor leakage alert
- OTC** 1 = Charge overtemperature alert
- CIM** 1 = Capacitor voltage Imbalance permanent failure alert
- OV** 1 = Capacitor overvoltage alert
- OCC** 1 = Overcurrent during charge alert
- OCD** 1 = AFE overcurrent during discharge alert
- SCC** 1 = AFE short circuit during charge alert
- SCD** 1 = AFE short circuit during discharge alert

#### 8.5.2.2.12.3 SafetyStatus (0x51)

This read-word function returns the status of the safety features. These flags do not cause the FAULT pin to be set unless the corresponding bit in **FAULT** is set.

**Table 57. SafetyStatus**

SBS CMD	MODE	NAME	FORMAT	SIZE IN BYTES	MIN VALUE	MAX VALUE	DEFAULT VALUE	UNIT
0x51	R	SafetyStatus	hex	2	0x0000	0xffff	—	

**Figure 8. SafetyStatus Registers**

15	14	13	12	11	10	9	8
CLBAD	HFAIL	HWARN	HLOW	RSVD	OT	CIM	OV
7	6	5	4	3	2	1	0
DFF	RSVD	AFE_C	WDF	OCC	OCD	SCC	SCD

LEGEND: All values are read-only.

- CLBAD** 1 = Excessive capacitor leakage fault
- HWARN** 1 = Health low warning
- HLOW** 1 = Health low indication
- HFAIL** 1 = Health failure
- OT** 1 = Charge overtemperature fault
- CIM** 1 = Capacitor voltage Imbalance fault
- OV** 1 = Capacitor overvoltage fault
- DFF** 1 = Data flash fault permanent failure fault
- AFE\_C** 1 = Permanent AFE Communications failure fault
- WDF** 1 = AFE watchdog fault
- OCC** 1 = Overcurrent during charge fault
- OCD** 1 = AFE overcurrent during discharge fault
- SCC** 1 = AFE short circuit during charge fault

**SCD** 1 = AFE short circuit during discharge fault

#### 8.5.2.2.12.4 OperationStatus (0x54)

This read-word function returns the current operation status.

**Table 58. OperationStatus**

SBS CMD	MODE	NAME	FORMAT	SIZE IN BYTES	MIN VALUE	MAX VALUE	DEFAULT VALUE	UNIT
0x54	R	OperationStatus	hex	2	0x0000	0xf7f7	—	

**Figure 9. OperationStatus Registers**

15	14	13	12	11	10	9	8
RSVD	DSG	SS	FC	LTE	RSVD	CHGOR	CB
7	6	5	4	3	2	1	0
LDTO	LCTO	LPASS	CL	RSVD	CFET	RSVD	RSVD

**DSG** Discharging

0 = BQ33100 is in CHARGING mode.

1 = BQ33100 is in DISCHARGING mode, RELAXATION mode, or a valid charge termination has occurred.

**SS** 1 = Sealed security mode

**FC** 1 = Fully charged

**LTE** 1 = Lifetime data and CHG FET operation enabled

**CHGOR** 1 = Charge override enabled

**CB** 1 = Capacitor voltage balancing in progress

**CL** 1 = Capacitance learning in progress

**LPASS** 1 = Learning complete and successful

**LCTO** 1 = Learning charging phase time out

**LDTO** 1 = Learning discharging phase time out

#### 8.5.2.2.12.5 SystemVoltage (0x5a)

This read-word function returns an unsigned integer value of the voltage at VCC (pin 24) in mV with a range of 0 mV to 20000 mV.

**Table 59. SystemVoltage**

SBS CMD	MODE	NAME	FORMAT	SIZE IN BYTES	MIN VALUE	MAX VALUE	DEFAULT VALUE	UNIT
0x5a	R	SystemVoltage	Unsigned Integer	2	0	20000	—	mV

#### 8.5.2.2.12.6 UnSealKey(0x60)

This read- or write-block command allows the user to change the Unseal key for the Sealed-to-Unsealed security-state transition. This function is only available when the BQ33100 is in the UNSEALED mode, indicated by a cleared [SS] flag.

The order of the bytes, when entered in *ManufacturerAccess*, is the reverse of what is written to or read from the part. For example, if the 1st and 2nd word of the UnSealKey block read returns 0x1234 and 0x5678, then in *ManufacturerAccess*, 0x3412 and 0x7856 must be entered to unseal the part.

**Table 60. UnSealKey**

SBS CMD	MODE	NAME	FORMAT	SIZE IN BYTES	MIN VALUE	MAX VALUE	DEFAULT VALUE	UNIT
0x60	R/W	UnSealKey	Hex	4	0x00000000	0xffffffff	—	

#### 8.5.2.2.12.7 ManufacturerInfo(0x70)

This read and write block function returns the data stored in Manuf. Info where byte 0 is the MSB with a maximum length of 31 data + 1 length byte. When the BQ33100 is in UNSEALED mode, this block is read and write. When the BQ33100 is in SEALED mode, this block is read-only.

**Table 61. ManufacturerInfo**

SBS CMD	MODE	NAME	FORMAT	SIZE IN BYTES	MIN VALUE	MAX VALUE	DEFAULT VALUE	UNIT
0x70	R/W	ManufacturerInfo	String	31+1	—	—	—	

### 8.5.3 Data Flash

#### NOTE

Take care when mass programming the data flash space using previous versions of data flash memory map files (such as \*.gg files) to make sure that all public locations are updated correctly.

Data flash can only be updated if *Voltage*  $\geq$  **Flash Update OK Voltage**. Data flash reads and writes are verified according to the method detailed in the [Data Flash Fault \(DFF\)](#) section of this data sheet.

#### 8.5.3.1 Accessing Data Flash

In different security modes, the data flash access conditions change. See [Security \(Enables and Disables Features\)](#) and [ManufacturerAccess \(0x00\)](#) sections for further details.

#### 8.5.3.2 Data Flash Interface

The BQ33100 data flash is organized into subclasses where each data flash variable is assigned an offset within its numbered subclass: for example, the OT Time location is defined as:

- Class = Safety
- SubClass = Temperature = 2
- Offset = 2

#### NOTE

Data flash commands are NACKed if the BQ33100 is in SEALED mode ([SS] flag is set).

Each subclass can be addressed individually by using the *DataFlashSubClassID* (0x77) command, and the data within each subclass is accessed by using the *DataFlashSubClassPage1..8* (0x78...0x7f) commands. Reading and writing subclass data are block operations which are each 32 bytes long. However, data can be written in shorter block sizes. The final block in one subclass can be shorter than 32 bytes so take care not to write over the subclass boundary. No values written are bounded by the BQ33100 and the values are not rejected by the BQ33100. Writing an incorrect value may result in hardware failure due to firmware program interpretation of the invalid data. The data written is persistent, so a power on reset does resolve the fault.

#### 8.5.3.3 Data Flash Summary

The following notation is used in [Table 62](#) with regards to the Data Type column:

##### The Alpha Character

- H = Hexadecimal value
- I = Integer value
- S = String

- U = Unsigned Integer value

The **Numeric Value** following the alpha character is the length of the data in bytes: for example, OT Time Data Type = U1 = Unsigned Integer of 1 byte in length.

**Table 62. Data Flash Values**

CLASS NAME	SUBCLASS ID	SUBCLASS NAME	OFFSET	PARAMETER NAME	DATA TYPE	MIN	MAX	DEFAULT	UNITS
Safety	0	Voltage	0	OV Threshold	I2	0	1000	100	mV
Safety	0	Voltage	2	OV Recovery	I2	-500	1000	0	mV
Safety	0	Voltage	4	OV Time	U1	0	255	2	s
Safety	0	Voltage	5	CIM Fail Voltage	I2	0	5000	550	mV
Safety	0	Voltage	7	CIM Time	U1	0	240	10	s
Safety	0	Voltage	8	CIM Recovery	I2	0	5000	500	mV
Safety	0	Voltage	10	Min CIM Check Voltage	U2	0	65535	1000	mV
Safety	1	Current	0	OC Chg	I2	0	5000	1000	mA
Safety	1	Current	2	OC Chg Time	U1	0	240	5	mA
Safety	1	Current	3	OC Chg Recovery	I2	-1000	5000	900	mA
Safety	1	Current	5	CLBAD Current	I2	0	30000	15	mA
Safety	1	Current	7	CLBAD Time	U1	0	240	60	s
Safety	1	Current	8	CLBAD Recovery	I2	0	1000	10	mA
Safety	1	Current	10	Current Recovery Time	U1	0	240	5	s
Safety	1	Current	11	OC Dsg	H1	0	f	F	hex
Safety	1	Current	12	OC Dsg Time	H1	0	f	F	hex
Safety	1	Current	13	OC Dsg Recovery	I2	5	1000	5	mA
Safety	1	Current	15	SC Chg Cfg	H1	0	f7	f4	hex
Safety	1	Current	16	SC Dsg Cfg	H1	0	f7	f7	hex
Safety	1	Current	17	SC Recovery	I2	0	200	1	mA
Safety	2	Temperature	0	OT Chg	I2	0	1200	680	0.1°C
Safety	2	Temperature	2	OT Chg Time	U1	0	240	2	s
Safety	2	Temperature	3	OT Chg Recovery	I2	0	1200	630	0.1°C
Safety	3	AFE Verification	1	AFE Fail Limit	U1	0	255	100	Counts
Safety	3	AFE Verification	3	AFE Init Retry Limit	U1	0	255	6	num
Safety	3	AFE Verification	4	AFE Init Limit	U1	0	255	20	Counts
Charge Control	34	Charge Cfg	0	Chg Voltage	I2	0	32767	8400	mV
Charge Control	34	Charge Cfg	2	Chg Current	I2	0	20000	500	mA
Charge Control	34	Charge Cfg	4	Chg Enable Delay	U2	0	65000	0	ms
Charge Control	35	Full Charge Cfg	0	Taper Current	I2	0	1000	3	mA
Charge Control	35	Full Charge Cfg	2	Taper Voltage	I2	0	1000	100	mVolt
Charge Control	35	Full Charge Cfg	4	Current Taper Window	U1	0	240	2	s
Charge Control	35	Full Charge Cfg	5	FC Set %	I1	-1	100	-1	Percent



**Table 62. Data Flash Values (continued)**

CLASS NAME	SUBCLASS ID	SUBCLASS NAME	OFFSET	PARAMETER NAME	DATA TYPE	MIN	MAX	DEFAULT	UNITS
Charge Control	35	Full Charge Cfg	6	FC Clear %	I1	-1	100	98	Percent
Charge Control	36	Capacitance Balancing Cfg	0	CB Threshold	I2	0	5000	1500	mVolt
Charge Control	36	Capacitance Balancing Cfg	2	CB Min	U1	0	255	5	mVolt
Charge Control	36	Capacitance Balancing Cfg	3	CB Restart	U1	0	255	10	mVolt
System Data	48	Data	0	Design Voltage	I2	0	18000	8400	mVolt
System Data	48	Data	2	Manuf Date	U2	0	65535	0	Day + Mo × 32 + (Yr – 1980) × 256
System Data	48	Data	4	Ser. Num.	H2	0	ffff	1	hex
System Data	48	Data	6	Design Capacitance	I2	0	65535	250	F
System Data	48	Data	8	Init 1st Capacitance	I2	0	65535	250	F
System Data	48	Data	10	Capacitance	I2	0	65535	250	F
System Data	48	Data	12	Design ESR	I2	0	65535	320	mΩ
System Data	48	Data	14	Initial ESR	I2	0	65535	320	mΩ
System Data	48	Data	16	ESR	I2	0	65535	320	mΩ
System Data	48	Data	18	Manuf Name	S12	x	x	Texas Instruments	—
System Data	48	Data	30	Device Name	S8	x	x	BQ33100	—
System Data	48	Data	38	Init Safety Status	H2	0	ffff	0	hex
System Data	56	Manufacturer Data	0	Pack Lot Code	H2	0	ffff	0	—
System Data	56	Manufacturer Data	2	PCB Lot Code	H2	0	ffff	0	—
System Data	56	Manufacturer Data	4	Firmware Version	H2	0	ffff	0	—
System Data	56	Manufacturer Data	6	HardwareVersion	H2	0	ffff	0	—
System Data	58	Manufacturer Info	0	Manuf. Info	S32	x	x	0123456789A BCDEF01234 56789ABCDE	—
System Data	59	Lifetime Data	0	Lifetime Max Temp	I2	0	1400	0	0.1°C
System Data	59	Lifetime Data	2	Lifetime Min Temp	I2	-600	1400	500	0.1°C
System Data	59	Lifetime Data	4	Lifetime Max Capacitor Voltage	I2	0	32767	0	mVolt
Configuration	64	Registers	0	Operation Cfg	H2	0	FFFF	308	flags
Configuration	64	Registers	4	FET Action	H2	0	FFFF	0	flags
Configuration	64	Registers	8	Fault	H2	0	FFFF	0	flags
Configuration	65	AFE	1	AFE State_CTL	H1	0	ff	0	flags
Configuration	67	Power	0	Flash Update OK Voltage	I2	0	20000	4000	mVolt
Configuration	67	Power	2	Shutdown Voltage	I2	0	5500	4000	mVolt
Monitoring	86	System Requirement	0	Min Power	I2	0	16800	10	Watt/100
Monitoring	86	System Requirement	2	Required Time	I2	0	32767	60	s
Monitoring	86	System Requirement	4	Min Voltage	I2	0	10000	4000	mVolt

**Table 62. Data Flash Values (continued)**

CLASS NAME	SUBCLASS ID	SUBCLASS NAME	OFFSET	PARAMETER NAME	DATA TYPE	MIN	MAX	DEFAULT	UNITS
Monitoring	87	Charging Voltage	0	V Chg Nominal	I2	0	32767	8400	mVolt
Monitoring	87	Charging Voltage	2	V Chg A	I2	0	32767	8900	mVolt
Monitoring	87	Charging Voltage	4	V Chg B	I2	0	32767	9500	mVolt
Monitoring	87	Charging Voltage	6	V Chg Max	I2	0	32767	10000	mVolt
Monitoring	87	Charging Voltage	8	V Learn Max	I2	0	32767	10000	mVolt
Monitoring	88	Learning Configuration	0	Learning Frequency	U1	0	255	2	week
Monitoring	88	Learning Configuration	1	Measurement Margin %	U1	0	100	10	Percent
Monitoring	88	Learning Configuration	2	Max Chg Time	I2	0	32767	300	s
Monitoring	88	Learning Configuration	4	Max Dsg Time	I2	0	32767	10	s
Monitoring	88	Learning Configuration	6	Learn Delta Voltage	I2	0	2000	500	mVolt
Monitoring	88	Learning Configuration	8	Cap Start Time	U2	0	65535	320	msec
Monitoring	81	Current Thresholds	0	Dsg Current Threshold	I2	0	2000	10	mA
Monitoring	81	Current Thresholds	2	Chg Current Threshold	I2	0	2000	0	mA
Calibration	104	Data	0	Current Gain	F4	1.00E – 01	4.00E + 00	0.47095	Number
Calibration	104	Data	4	CC Delta	F4	2.98E + 04	1.19E + 06	140466.3	Number
Calibration	104	Data	8	Cap1 K-factor	I2	0	32767	20500	—
Calibration	104	Data	10	Cap2 K-factor	I2	0	32767	20500	—
Calibration	104	Data	12	Cap3 K-factor	I2	0	32767	20500	—
Calibration	104	Data	14	Cap4 K-factor	I2	0	32767	20500	—
Calibration	104	Data	16	Cap5 K-factor	I2	0	32767	20500	—
Calibration	104	Data	18	K-factor cap override flag	H2	0	FFFF	0	num
Calibration	104	Data	20	System Voltage K-factor	I2	0	32767	24500	—
Calibration	104	Data	22	Stack Voltage K-factor	I2	0	32767	24500	—
Calibration	104	Data	24	K-factor stack override flag	H2	0	FFFF	0	num
Calibration	104	Data	26	CC Offset	I2	–32768	32767	–7744	num
Calibration	104	Data	28	Board Offset	I2	–32767	32767	0	uV
Calibration	104	Data	30	Int Temp Offset	I1	–128	127	0	0.1°C
Calibration	104	Data	31	Ext1 Temp Offset	I1	–128	127	0	0.1°C
Calibration	104	Data	32	Ext2 Temp Offset	I1	–128	127	0	0.1°C
Calibration	104	Data	33	ESR Offset	I1	–128	127	0	mΩ
Calibration	105	Config	0	CC Current	I2	0	32767	3000	mA
Calibration	105	Config	2	Voltage Signal	I2	0	32767	8400	mVolt
Calibration	105	Config	4	Temp Signal	I2	0	32767	2980	0.1°K
Calibration	105	Config	6	CC Offset Time	U2	0	65535	250	s
Calibration	105	Config	8	ADC Offset Time	U2	0	65535	32	s

**Table 62. Data Flash Values (continued)**

CLASS NAME	SUBCLASS ID	SUBCLASS NAME	OFFSET	PARAMETER NAME	DATA TYPE	MIN	MAX	DEFAULT	UNITS
Calibration	105	Config	10	CC Gain Time	U2	0	65535	250	s
Calibration	105	Config	12	Voltage Time	U2	0	65535	1984	ms
Calibration	105	Config	14	Temperature Time	U2	0	65535	32	s
Calibration	105	Config	17	Cal Mode Timeout	U2	0	65535	38400	s/128
Calibration	106	Temp Model	0	Ext Coef a1	I2	-32768	32767	-14812	num
Calibration	106	Temp Model	2	Ext Coef a2	I2	-32768	32767	24729	num
Calibration	106	Temp Model	4	Ext Coef a3	I2	-32768	32767	-21265	num
Calibration	106	Temp Model	6	Ext Coef a4	I2	-32768	32767	28353	num
Calibration	106	Temp Model	8	Ext Coef a5	I2	-32768	32767	759	num
Calibration	106	Temp Model	10	Ext Coef b1	I2	-32768	32767	-399	num
Calibration	106	Temp Model	12	Ext Coef b2	I2	-32768	32767	764	num
Calibration	106	Temp Model	14	Ext Coef b3	I2	-32768	32767	-3535	num
Calibration	106	Temp Model	16	Ext Coef b4	I2	-32768	32767	5059	num
Calibration	106	Temp Model	18	Ext rc0	I2	-32768	32767	11703	num
Calibration	106	Temp Model	20	Ext adc0	I2	-32768	32767	11813	num
Calibration	106	Temp Model	22	Rpad	I2	-32768	32767	87	Ω
Calibration	106	Temp Model	24	Rint	I2	-32768	32767	17740	Ω
Calibration	106	Temp Model	26	Int Coef 1	I2	-32768	32767	0	s
Calibration	106	Temp Model	28	Int Coef 2	I2	-32768	32767	0	s
Calibration	106	Temp Model	30	Int Coef 3	I2	-32768	32767	-12263	s
Calibration	106	Temp Model	32	Int Coef 4	I2	-32768	32767	6106	s
Calibration	106	Temp Model	34	Int Min AD	I2	-32768	32767	0	s
Calibration	106	Temp Model	36	Int Max Temp	I2	-32768	32767	6106	0.1°K
Calibration	107	Current	0	Filter	U1	0	255	239	Number
Calibration	107	Current	1	Dead Band	U1	0	255	5	mA
Calibration	107	Current	2	CC Deadband	U1	0	255	10	294 nV

### 8.5.3.4 Specific Data Flash Programming Details

In this section, the data flash values that are not detailed elsewhere in this data sheet are shown in detail and others are summarized for easy reference.

#### 8.5.3.4.1 OC Dsg

The **OC Dsg** is programmed into the OCDV register of the integrated AFE device. The **OC Dsg** sets the overcurrent in discharging voltage threshold. Changes to this data flash value require a firmware full reset or a power reset of the BQ33100 to take effect.

**Table 63. OC Dsg**

SUBCLASS ID	SUBCLASS NAME	OFFSET	NAME	FORMAT	SIZE IN BYTES	MIN VALUE	MAX VALUE	DEFAULT VALUE	UNIT
1	Current	11	OC Dsg	Hex	1	0x00	0x0F	0x0F	—

**Figure 10. OCDV Register**

7	6	5	4	3	2	1	0
—	—	—	—	OCDV3	OCDV2	OCDV1	OCDV0

0000 is the BQ33100 power on reset default.

**OCDV3, OCDV2, OCDV1, OCDV0**—Sets the overcurrent voltage threshold (VSRP-VSRN)) in discharging of the integrated AFE.

0x0 – 0xf = sets the short circuit in discharging delay between 0 ms – 915-ms in 61-ms steps.

**[RSNS] = 0**, 0x0 – 0xf sets the voltage threshold between 50 mV and 200 mV in 10-mV steps.

**[RSNS] = 1**, 0x0 – 0xf sets the voltage threshold between 20 mV and 100 mV in 5-mV steps.

**OCDV (b7...b4)**—Not used

**Table 64. OCDV (b2-b0) Configuration Bits with Corresponding Voltage Threshold When STATE\_CTL[RSNS] = 0**

SETTING	THRESHOLD	SETTING	THRESHOLD
0x00	0.050 V	0x08	0.130 V
0x01	0.060 V	0x09	0.140 V
0x02	0.070 V	0x0A	0.150 V
0x03	0.080 V	0x0B	0.160 V
0x04	0.090 V	0x0C	0.170 V
0x05	0.100 V	0x0D	0.180 V
0x06	0.110 V	0x0E	0.190 V
0x07	0.120 V	0x0F	0.200 V

**Table 65. OCDV (b2-b0) Configuration Bits with Corresponding Voltage Threshold When STATE\_CTL[RSNS] = 1**

SETTING	THRESHOLD	SETTING	THRESHOLD
0x00	0.025 V	0x08	0.065 V
0x01	0.050 V	0x09	0.070V
0x02	0.035 V	0x0A	0.075 V
0x03	0.040 V	0x0B	0.080 V
0x04	0.045 V	0x0C	0.085 V
0x05	0.050 V	0x0D	0.090 V
0x06	0.055 V	0x0E	0.095V
0x07	0.060 V	0x0F	0.100 V

#### 8.5.3.4.2 OC Dsg Time

The **OC Dsg Time** is programmed into the OCDD register of the integrated AFE device. The **OC Dsg Time** sets the overcurrent in discharging delay. Changes to this data flash value require a firmware full reset or a power reset of the BQ33100 to take effect.

**Table 66. OC Dsg Time**

SUBCLASS ID	SUBCLASS NAME	OFFSET	NAME	FORMAT	SIZE IN BYTES	MIN VALUE	MAX VALUE	DEFAULT VALUE	UNIT
1	Current	12	OC Dsg Time	Hex	1	0x00	0x0F	0x0F	—

**Figure 11. OCDD Register**

7	6	5	4	3	2	1	0
—	—	—	—	OCDD3	OCDD2	OCDD1	OCDD0

0000 is the BQ33100 power on reset default.

**OCDD3, OCDD2, OCDD1, OCDD0**—Sets the overcurrent in discharging delay of the integrated AFE

0x0 – 0xf = sets the overvoltage trip delay between 1 ms to 31-ms in 2-ms steps

**OCDD (b7...b4)** —Not used

**Table 67. OCDD (b7-b4) Configuration Bits With Corresponding Delay Time**

SETTING	DELAY	SETTING	DELAY	SETTING	DELAY	SETTING	DELAY
0x00	1 ms	0x04	9 ms	0x08	17 ms	0x0C	25 ms
0x01	3 ms	0x05	11 ms	0x09	19 ms	0x0D	27 ms
0x02	5 ms	0x06	13 ms	0x0A	21 ms	0x0E	29 ms
0x03	7 ms	0x07	15 ms	0x0B	23 ms	0x0F	31 ms

#### 8.5.3.4.3 SC Dsg Cfg

The **SC Dsg Cfg** is programmed into the SCD register of the integrated AFE device. The **SC Dsg Cfg** sets the short circuit in discharging voltage threshold and the short circuit in discharging delay. Changes to this data flash value require a firmware full reset or a power reset of the BQ33100 to take effect.

**Table 68. SC Dsg Cfg**

SUBCLASS ID	SUBCLASS NAME	OFFSET	NAME	FORMAT	SIZE IN BYTES	MIN VALUE	MAX VALUE	DEFAULT VALUE	UNIT
1	Current	16	SC Dsg Cfg	Hex	1	0x00	0x0F	0x0F	—

**Figure 12. SCD Register**

7	6	5	4	3	2	1	0
SCDD3	SCDD2	SCDD1	SCDD0	—	SCDV2	SCDV1	SCDV0

0000 is the BQ33100 power on reset default.

**SCDD3, SCDD2, SCDD1, SCDD0**—Sets the short circuit delay in discharging of the integrated AFE.

0x0 – 0xf = sets the short circuit in discharging delay between 0 ms to 915 ms in 61-ms steps.

If **STATE\_CTL[SCDDx2]** is set, the delay time is double of that programmed in this register.

**SCDV2, SCDV1, SCDV0**—Sets the short circuit voltage threshold (VSRP-VSRN)) in discharging of the integrated AFE

**[RSNS] = 0**, 0x0 – 0x7 sets the short circuit voltage threshold between 100 mV and 450 mV in 50-mV steps.

**[RSNS] = 1**, 0x0 – 0x7 sets the short circuit voltage threshold between 50 mV and 475 mV in 25-mV steps.

**SCD (b3)**—Not used

**Table 69. SCDV (b2-b0) Configuration Bits with Corresponding Voltage Threshold When STATE\_CTL[RSNS] = 0**

SETTING	THRESHOLD	SETTING	THRESHOLD
0x00	0.100 V	0x04	0.300 V
0x01	0.150 V	0x05	0.350 V
0x02	0.200 V	0x06	0.400 V
0x03	0.250 V	0x07	0.450 V

**Table 70. SCDV (b2-b0) Configuration Bits with Corresponding Voltage Threshold When STATE\_CTL[RSNS] = 1**

SETTING	THRESHOLD	SETTING	THRESHOLD
0x00	0.050 V	0x04	0.150 V
0x01	0.075 V	0x05	0.175 V
0x02	0.100 V	0x06	0.200 V
0x03	0.125 V	0x07	0.225 V

**Table 71. SCDD (b7-b4) Configuration Bits with Corresponding Delay Time**

SETTING	DELAY	SETTING	DELAY	SETTING	DELAY	SETTING	DELAY
0x00	0 μs	0x04	244 μs	0x08	488 μs	0x0C	732 μs
0x01	61 μs	0x05	305 μs	0x09	549 μs	0x0D	793 μs
0x02	112 μs	0x06	366 μs	0x0A	610 μs	0x0E	854 μs
0x03	183 μs	0x07	427 μs	0x0B	671 μs	0x0F	915 μs

**8.5.3.4.4 SC Chg Cfg**

**SC Chg Cfg** is programmed into the SCC register of the integrated AFE device. The **SC Chg Cfg** sets the short circuit in charging voltage threshold and the short circuit in charging delay. Changes to this data flash value require a firmware full reset or a power reset of the BQ33100 to take effect.

**Table 72. SC Chg Cfg**

SUBCLASS ID	SUBCLASS NAME	OFFSET	NAME	FORMAT	SIZE IN BYTES	MIN VALUE	MAX VALUE	DEFAULT VALUE	UNIT
1	Current	15	SC Chg Cfg	Hex	1	0x00	0xF7	0xF7	—

**Figure 13. SCC Register**

7	6	5	4	3	2	1	0
SCCD3	SCCD2	SCCD1	SCCD0	—	SCCV2	SCCV1	SCCV0

0000 is the BQ33100 power on reset default.

**SCCD3, SCCD2, SCCD1, SCCD0**—Sets the short circuit delay in charging of the integrated AFE

0x0 – 0xf = Sets the short circuit in charging delay between 0 ms to 915 ms in 61-ms steps

If **STATE\_CTL[SCDDx2]** is set, the delay time is double of that programmed in this register.

**SCCV2, SCCV1, SCCV0**—Sets the short circuit voltage threshold (VSRP-VSRN)) in charging of the integrated AFE

**[RSNS] = 0**, 0x0 – 0x7 sets the short circuit voltage threshold between 100 mV and 450 mV in 50-mV steps.

**[RSNS] = 1**, 0x0 – 0x7 sets the short circuit voltage threshold between 50 mV and 475 mV in 25-mV steps.

**SCC (b3)**—Not used

**Table 73. SCCV (b2-b0) Configuration Bits with Corresponding Voltage Threshold When STATE\_CTL[RSNS] = 0**

SETTING	THRESHOLD	SETTING	THRESHOLD
0x00	–0.100 V	0x04	–0.300 V
0x01	–0.150 V	0x05	n/a
0x02	–0.200 V	0x06	n/a
0x03	–0.250 V	0x07	n/a

**Table 74. SCCV (b2-b0) Configuration Bits with Corresponding Voltage Threshold When STATE\_CTL[RSNS] = 1**

SETTING	THRESHOLD	SETTING	THRESHOLD
0x00	-0.050 V	0x04	-0.150 V
0x01	-0.075 V	0x05	-0.175 V
0x02	-0.100 V	0x06	-0.200 V
0x03	-0.125 V	0x07	-0.225 V

**Table 75. SCCD (b7-b4) Configuration Bits with Corresponding Delay Time**

SETTING	DELAY	SETTING	DELAY	SETTING	DELAY	SETTING	DELAY
0x00	0 $\mu$ s	0x04	244 $\mu$ s	0x08	488 $\mu$ s	0x0C	732 $\mu$ s
0x01	61 $\mu$ s	0x05	305 $\mu$ s	0x09	549 $\mu$ s	0x0D	793 $\mu$ s
0x02	112 $\mu$ s	0x06	366 $\mu$ s	0x0A	610 $\mu$ s	0x0E	854 $\mu$ s
0x03	183 $\mu$ s	0x07	427 $\mu$ s	0x0B	671 $\mu$ s	0x0F	915 $\mu$ s

#### 8.5.3.4.5 Initial 1st Capacitance

The value of **Initial 1st Capacitance** is used in the health and other calculations.

**Table 76. Initial 1st Capacitance**

SUBCLASS ID	SUBCLASS NAME	OFFSET	NAME	FORMAT	SIZE IN BYTES	MIN VALUE	MAX VALUE	DEFAULT VALUE	UNIT
48	Data	8	Initial 1st Capacitance	Integer	2	0	65535	250	F

#### 8.5.3.4.6 Capacitance

This value is used as the **Capacitance** at device reset. This value is updated by the gauging algorithm when a qualified learning cycle has completed.

**Table 77. Capacitance**

SUBCLASS ID	SUBCLASS NAME	OFFSET	NAME	FORMAT	SIZE IN BYTES	MIN VALUE	MAX VALUE	DEFAULT VALUE	UNIT
48	Data	10	Capacitance	Integer	2	0	65535	250	F

#### 8.5.3.4.7 Firmware Version

The **ManufacturerAccess** function reports **Firmware Version** as part of its return value.

**Table 78. Firmware Version**

SUBCLASS ID	SUBCLASS NAME	OFFSET	NAME	FORMAT	SIZE IN BYTES	MIN VALUE	MAX VALUE	DEFAULT VALUE	UNIT
56	Manufacturer Data	4	Firmware Version	Hex	2	0x0000	0xffff	0x00000	—

#### 8.5.3.4.8 Hardware Version

The **ManufacturerAccess** function reports **Hardware Version** as part of its return value.

**Table 79. Hardware Version**

SUBCLASS ID	SUBCLASS NAME	OFFSET	NAME	FORMAT	SIZE IN BYTES	MIN VALUE	MAX VALUE	DEFAULT VALUE	UNIT
56	Manufacturer Data	6	Hardware Version	Hex	2	0x0000	0xffff	0x0000	—



#### 8.5.3.4.9 Manuf. Info

The **ManufacturerInfo** function returns the string stored in **Manuf. Info**. The maximum text length is 31 characters.

**Table 80. Manuf. Info**

SUBCLASS ID	SUBCLASS NAME	OFFSET	NAME	FORMAT	SIZE IN BYTES	MIN VALUE	MAX VALUE	DEFAULT VALUE	UNIT
58	Manufacturer Info	0	Manuf. Info	String	32	—	—	012345678 9ABCDEF0 123456789 ABCDE	

#### 8.5.3.4.10 Operation Cfg

This register enables, disables, or configures various features of the BQ33100.

**Table 81. Operation Cfg**

SUBCLASS ID	SUBCLASS NAME	OFFSET	NAME	FORMAT	SIZE IN BYTES	MIN VALUE	MAX VALUE	DEFAULT VALUE	UNIT
64	Registers	0	Operation Cfg	Hex	2	0x0000	0xffff	0x04a8	

**Figure 14. Operation Cfg Register**

15	14	13	12	11	10	9	8
RSVD	RSVD	RSVD	RSVD	RSVD	CC2	CC1	CC0
7	6	5	4	3	2	1	0
RSVD	LT_EN	RSVD	TEMP1	TEMP0	RSVD	RSVD	STACK

LEGEND: RSVD = Reserved and must be programmed to 0 unless otherwise specified.

**CC2, CC1, CC0**—These bits configure the BQ33100 for the number of series capacitors in the super capacitor stack.

0,0,0 = Reserved

0,0,1 = 2 capacitors

0,1,0 = 3 capacitors (default)

0,1,1 = 4 capacitors

1,0,0 = 5 capacitors

**LT\_EN**—Lifetime Data logging bit; this bit enables or disables Lifetime Data logging from occurring. This bit can be directly set by the *Lifetime Enable* command.

0 = All Lifetime Data logging is prevented from occurring.

1 = All Lifetime Data logging is allowed.

**TEMP1, TEMP0**—These bits configure the source of the Temperature function.

0,0 = Internal Temperature Sensor

0,1 = TS Input (default)

**STACK**—This bit configure the BQ33100 to measure all series voltages up to 5-series cells or just the stack voltage.

0 = Each series cell is measured and can be balanced up to 5-series capacitors.

1 = The capacitor stack is measured and Capacitor Balancing and Cell Imbalance Detection are disabled.

#### 8.5.3.4.11 FET ACTION

The **FET Action** register enables the charge FET to turn off when a safety condition occurs. The charge FET turns off when the a bit in the **SafetyStatus** register is set that corresponds to a set bit in the **FET Action** register.

**Table 82. FET Action**

SUBCLASS ID	SUBCLASS NAME	OFFSET	NAME	FORMAT	SIZE IN BYTES	MIN VALUE	MAX VALUE	DEFAULT VALUE	UNIT
64	Registers	4	FET Action	Hex	2	0x0000	0xffff	0x0000	

**Figure 15. FET Action Register**

15	14	13	12	11	10	9	8
CLBAD	HFAIL	HWARN	HLOW	RSVD	OTC	CIM	OV
7	6	5	4	3	2	1	0
DFF	RSVD	AFE_C	WDF	OCC	OCD	SCC	SCD

**CLBAD:** Weak capacitor condition

**HFAIL:** Health fault condition

**HWARN:** Health warning condition

**HLOW:** Health low condition

**AFE\_C:** AFE Communications failure condition

**CIM:** Capacitor voltage imbalance condition

**DFF:** Data Flash Fault failure condition

**OTC:** Charge overtemperature condition

**OV:** Capacitor overvoltage condition

**WDF:** AFE Watchdog fault condition

**OCC:** Charge overcurrent condition

**OCD:** AFE overcurrent on discharge condition

**SCC:** AFE short circuit on charge condition

**SCD:** AFE short circuit on discharge condition

**OV:** Capacitor overvoltage condition

#### 8.5.3.4.12 FAULT

The **FAULT** register enables or disables the use of the FAULT pin when the corresponding bit in **SafetyStatus** is set.

**Table 83. FAULT**

SUBCLASS ID	SUBCLASS NAME	OFFSET	NAME	FORMAT	SIZE IN BYTES	MIN VALUE	MAX VALUE	DEFAULT VALUE	UNIT
64	Registers	8	FAULT	Hex	2	0x0000	0xffff	0x0000	

**Figure 16. FAULT Register**

15	14	13	12	11	10	9	8
CLBAD	HFAIL	HWARN	HLOW	RSVD	OTC	CIM	OV
7	6	5	4	3	2	1	0
DFF	RSVD	AFE_C	WDF	OCC	OCD	SCC	SCD

**CLBAD:** Weak capacitor condition

**HFAIL:** Health fault condition

**HWARN:** Health warning condition

**HLOW:** Health low condition

**AFE\_C:** AFE Communications failure condition

**CIM:** Capacitor voltage imbalance condition

**DFF:** Data Flash Fault failure condition

**OTC:** Charge overtemperature condition

**OV:** Capacitor overvoltage condition

**WDF:** AFE Watchdog fault condition

**OCC:** Charge overcurrent condition

**OCD:** AFE overcurrent on discharge condition

**SCC:** AFE short circuit on charge condition

**SCD:** AFE short circuit on discharge condition

**8.5.3.4.13 AFE State\_CTL**

This register adjusts the AFE hardware overcurrent and short circuit detection thresholds and delay.

**Table 84. AFE State\_CTL**

SUBCLASS ID	SUBCLASS NAME	OFFSET	NAME	FORMAT	SIZE IN BYTES	MIN VALUE	MAX VALUE	DEFAULT VALUE	UNIT
65	AFE	1	AFE State_CTL	Hex	1	0x00	0xff	0x00	

**Figure 17. AFE State\_CTL Register**

7	6	5	4	3	2	1	0
RSVD	RSVD	SCDDX2	RSNS	RSVD	RSVD	RSVD	RSVD

LEGEND: RSVD = Reserved and must be programmed to 0

**SCDDX2**—Set this bit to double the SCD delay periods 0 (default) = Short Circuit current protection delay is as programmed.

1 = Short Circuit current protection delay is twice that programmed.

**RSNS**—This bit, if set, configures the SCD threshold into a range suitable for a low sense resistor value by dividing the SCDV selected voltage threshold by 2 0 (default) = Current protection voltage thresholds as programmed.

1 = Current protection voltage threshold divided by 2 as programmed

**8.5.3.4.14 Measurement Margin %**

**Measurement Margin %** provides any needed addition margin for measurement error or other error sources.

**Table 85. Measurement Margin %**

SUBCLASS ID	SUBCLASS NAME	OFFSET	NAME	FORMAT	SIZE IN BYTES	MIN VALUE	MAX VALUE	DEFAULT VALUE	UNIT
88	Learning Configuration	1	Measurement Margin %	Unsigned Integer	1	0	100	10	%

**8.5.3.4.15 Max Dsg Time**

**Max Dsg Time** provides the maximum amount of time for a learning cycle to complete.

**Table 86. Max Dsg Time**

SUBCLASS ID	SUBCLASS NAME	OFFSET	NAME	FORMAT	SIZE IN BYTES	MIN VALUE	MAX VALUE	DEFAULT VALUE	UNIT
88	Learning Configuration	4	Max Dsg Time	Integer	2	0	32767	10	s

**8.5.3.4.16 V Chg Nominal**

Nominal charging voltage(min) representing CHGLVL1 = Low (0) and CHGLVL0 = Low (0)

**Table 87. V Chg Nominal**

SUBCLASS ID	SUBCLASS NAME	OFFSET	NAME	FORMAT	SIZE IN BYTES	MIN VALUE	MAX VALUE	DEFAULT VALUE	UNIT
88	Charging Voltage	0	V Chg Nominal	Integer	2	0	25000	10400	mV

**8.5.3.4.17 V Chg A**

Charging voltage representing CHGLVL1 = Low (0) and CHGLVL0 = High (1)

**Table 88. V Chg A**

SUBCLASS ID	SUBCLASS NAME	OFFSET	NAME	FORMAT	SIZE IN BYTES	MIN VALUE	MAX VALUE	DEFAULT VALUE	UNIT
88	Charging Voltage	2	V Chg A	Integer	2	0	25000	11125	mV

**8.5.3.4.18 V Chg B**

Charging voltage representing CHGLVL1 = High (1) and CHGLVL0 = Low (0)

**Table 89. V Chg B**

SUBCLASS ID	SUBCLASS NAME	OFFSET	NAME	FORMAT	SIZE IN BYTES	MIN VALUE	MAX VALUE	DEFAULT VALUE	UNIT
88	Charging Voltage	4	V Chg B	Integer	2	0	25000	11875	mV

**8.5.3.4.19 V Chg Max**

Charging voltage(max) representing CHGLVL1 = High (1) and CHGLVL0 = High (1)

**Table 90. V Chg Max**

SUBCLASS ID	SUBCLASS NAME	OFFSET	NAME	FORMAT	SIZE IN BYTES	MIN VALUE	MAX VALUE	DEFAULT VALUE	UNIT
88	Charging Voltage	6	V Chg Max	Integer	2	0	25000	125000	mV

**8.5.3.4.20 Min Voltage**

**Min Voltage** is the minimum voltage that the super capacitor must discharge. **Min Voltage** is used in capacitance estimation, which defines the super capacitor usage range.

**Table 91. Min Voltage**

SUBCLASS ID	SUBCLASS NAME	OFFSET	NAME	FORMAT	SIZE IN BYTES	MIN VALUE	MAX VALUE	DEFAULT VALUE	UNIT
88	System Requirement	4	Min Voltage	Integer	2	0	10000	4000	mV

#### 8.5.3.4.21 Learning Frequency

**Learning Frequency** is the amount of time elapsed between automatic learning cycles.

**NOTE**

A value of 250 is used to set the **Learning Frequency** to 10 minutes for test purposes.

**Table 92. Learning Frequency**

Subclass ID	Subclass Name	Offset	Name	Format	Size in Bytes	Min Value	Max Value	Default Value	Unit
88	Learning Configuration	0	Learning Frequency	Unsigned Integer	1	0	255	2	week

#### 8.5.3.4.22 Dsg Current Threshold

The BQ33100 enters DISCHARGE mode from CHARGE mode if  $Current < (-)Dsg\ Current\ Threshold$ .

**Table 93. Dsg Current Threshold**

Subclass ID	Subclass Name	Offset	Name	Format	Size in Bytes	Min Value	Max Value	Default Value	Unit
81	Current Thresholds	0	Dsg Current Threshold	Integer	2	0	2000	10	mA

#### 8.5.3.4.23 Chg Current Threshold

The BQ33100 enters CHARGE mode from DISCHARGE mode if  $Current > Chg\ Current\ Threshold$ .

**Table 94. Chg Current Threshold**

SUBCLASS ID	SUBCLASS NAME	OFFSET	NAME	FORMAT	SIZE IN BYTES	MIN VALUE	MAX VALUE	DEFAULT VALUE	UNIT
81	Current Thresholds	2	Chg Current Threshold	Integer	2	0	2000	0	mA

## 9 Application and Implementation

**NOTE**

Information in the following applications sections is not part of the TI component specification, and TI does not warrant its accuracy or completeness. TI's customers are responsible for determining suitability of components for their purposes. Customers should validate and test their design implementation to confirm system functionality.

### 9.1 Application Information

The BQ33100 is a super capacitor manager that can provide capacitance and ESR measurements for up to 9-series capacitors and balancing for systems with up to 5-series capacitors. This section of the data sheet provides practical applications information for hardware and systems engineers designing the BQ33100 into their end equipment.

## 9.2 Typical Application

- ⚠ R8–R11: Required to be 1k.
- ⚠ IC ground should be connected to the 1N cell tab.
- ⚠ R14 – R17 and R31: If smaller resistors are used, user should make sure the power rating of the resistor can handle the desired cell balance current
- ⚠ R29 should not be installed.

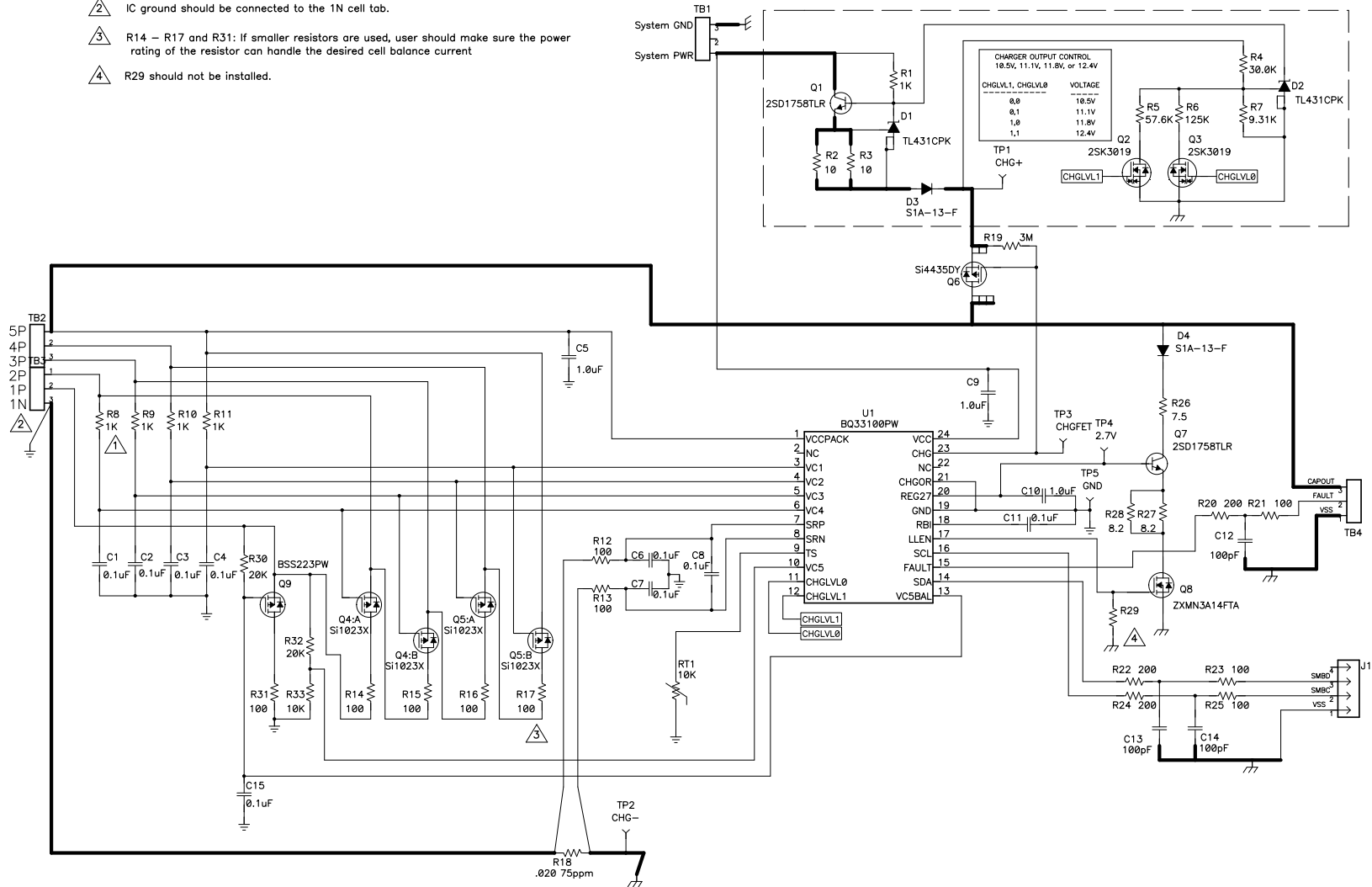


Figure 18. Application Reference Schematic

## 9.2.1 Design Requirements

The BQ33100 comes programmed to support 4-series capacitor systems with cell balancing enabled. [Table 95](#) shows other key configuration defaults.

**Table 95. Design Parameters**

DESIGN PARAMETER	EXAMPLE VALUE
Number of Series Cells	4
Design Capacitance	250 F
Design ESR	320 mΩ
Cell Balancing	Enabled
V Chg Nominal	8400 mV
V CHG A	8900 mV
V CHG	9500 mV
V CHG MAX	10000 mV
Learn Frequency	2 weeks
Learn Delta Voltage	500 mV

Use the BQEVSW tool to update the settings to meet the specific application or pack configuration requirements.

## 9.2.2 Detailed Design Procedure

This section provides information on selecting key device configuration options. More information on these and other configuration options is available in *BQ33100 Super Capacitor Manager - Top 13 Design Considerations (SLUA751)*.

### 9.2.2.1 Selecting Number of Series Capacitor Support

The BQ33100 can support 2- to 5-series capacitors when **Operation Cfg [STACK]** = 0 or 2 to 9 series capacitors when **[STACK]** = 1. The main difference is that when **[STACK]** = 1, the BQ33100 will not perform cell balancing.

### 9.2.2.2 Selecting Charging Voltage Values

The BQ33100 learning algorithm requires that the capacitors not be charged to their maximum charging value: for example, 2.5 V, under normal conditions. This enables the BQ33100 to charge the capacitors a small amount and then enable a discharge as part of the learning process. The value to which the capacitors must charge to is configured in **V Learn Max** and is expected to be the maximum charging voltage as specified by the capacitor manufacturer: for example, 2.5 V. This is typically also the **V Chg MAX** value, although some capacitor manufacturers will allow a higher voltage for the short learning period compared to the DC value it is held at during normal charging.

The nominal charging voltage must be selected to enable the capacitor array to provide the required amount of energy from the capacitance at that voltage. This data is available from the capacitor manufacturer's data sheet. The default value is 2.1 V per capacitor and as the device is configured as a 4-series system, then the programmed value in **V Chg Nominal** is 8400 mV.

**V Chg A** and **V Chg B** must be selected to be evenly spread between **V Chg Nominal** and **V Chg Max**: for example, **V Chg A** = 8900 mV (2.225 V per cap) and **V Chg B** = 9500 (2.375 V per cap).

### 9.2.2.3 Learning Frequency Selection

The default learning frequency of the BQ33100 is set to two weeks. The capacitance and ESR changes relatively slowly over time so selecting a period such as two weeks or longer allows for a change to be detected.

Setting an automatic update to occur on a very slow rate, for two weeks, and then enabling the host system to update at a faster rate—for example, each day, or synchronized to a host system event, and after a host system reboot, is common.



### 9.2.3 Application Curve

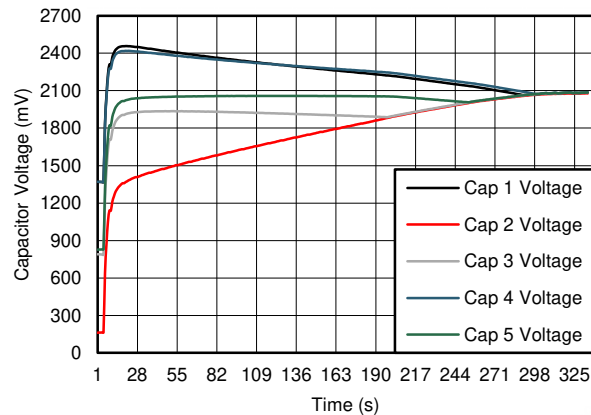


Figure 19. Voltage Convergence During Capacitor Balancing

## 10 Power Supply Recommendations

The device manages its supply voltage dynamically according to the operation conditions. Normally, the VCC and PACK input is the primary power source to the device. The VCC and PACK pin must be connected to the positive termination of the capacitor array. The input voltage for the VCC and PACK pin ranges from 3.8 V to 25 V. A 1- $\mu$ F capacitor must be connected to the VCC and PACK as close to the device as possible for supply decoupling.

## 11 Layout

### 11.1 Layout Guidelines

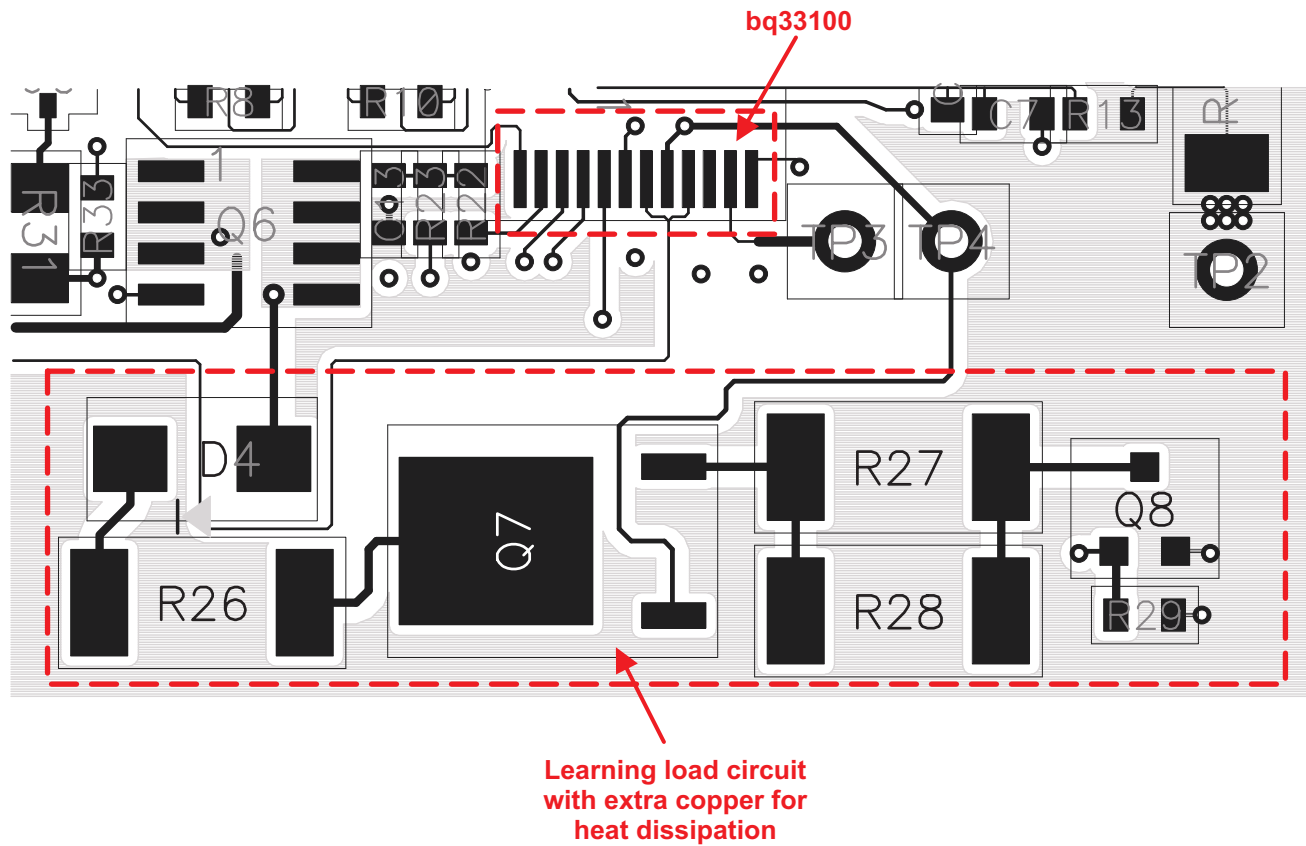
A capacitance monitor circuit board is a challenging environment due to the fundamental incompatibility of high current traces and ultra-low current semiconductor devices. The best way to protect against unwanted trace-to-trace coupling is with a component placement where the high-current section is on the opposite side of the board from the electronic devices. Ensure to route high-current traces away from signal traces, which enter the BQ33100 directly. IC references and registers can be disturbed and in rare cases damaged due to magnetic and capacitive coupling from the high-current path.

#### NOTE

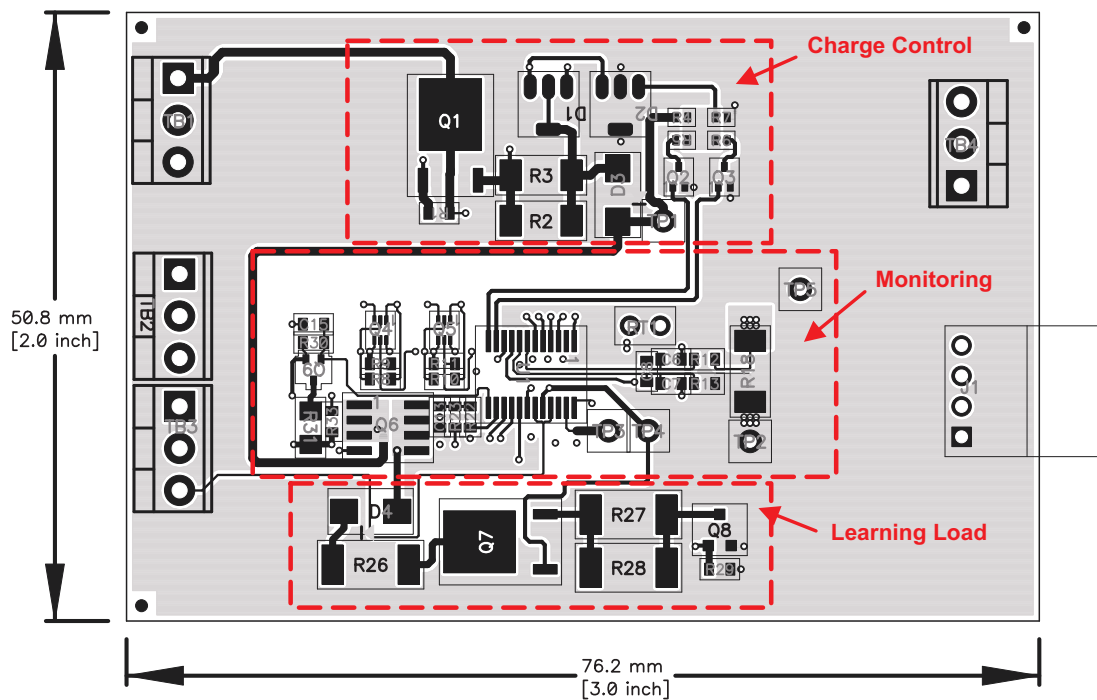
During surge current and ESD events, the high-current traces appear inductive and can couple unwanted noise into sensitive nodes of the gas gauge electronics.

The learning load components can become heated depending on the component values selected. TI recommends that any heat is dissipated away from the BQ33100 to ensure its maximum operating temperature is not exceeded.

**11.2 Layout Example**



**Figure 20. BQ33100 Board Layout**



Layout Example (continued)

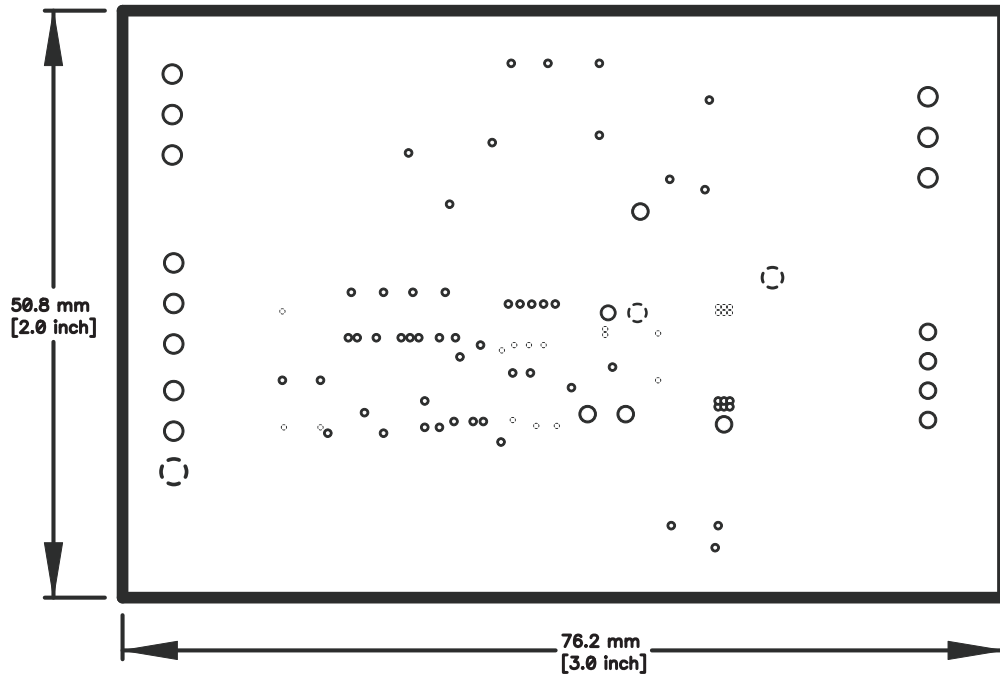


Figure 22. Internal Layer 1

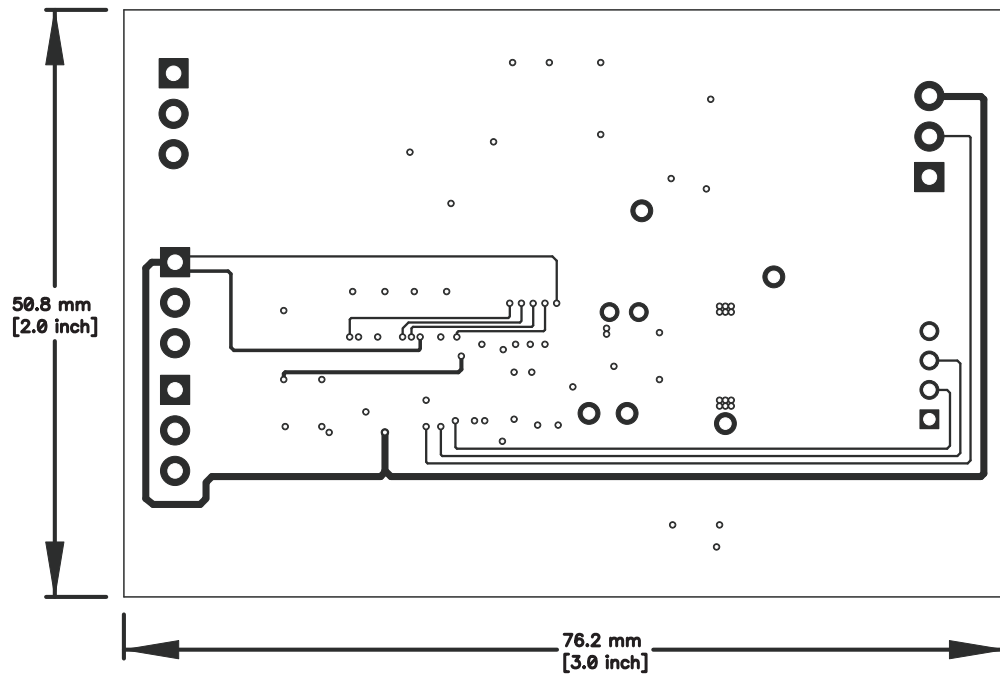
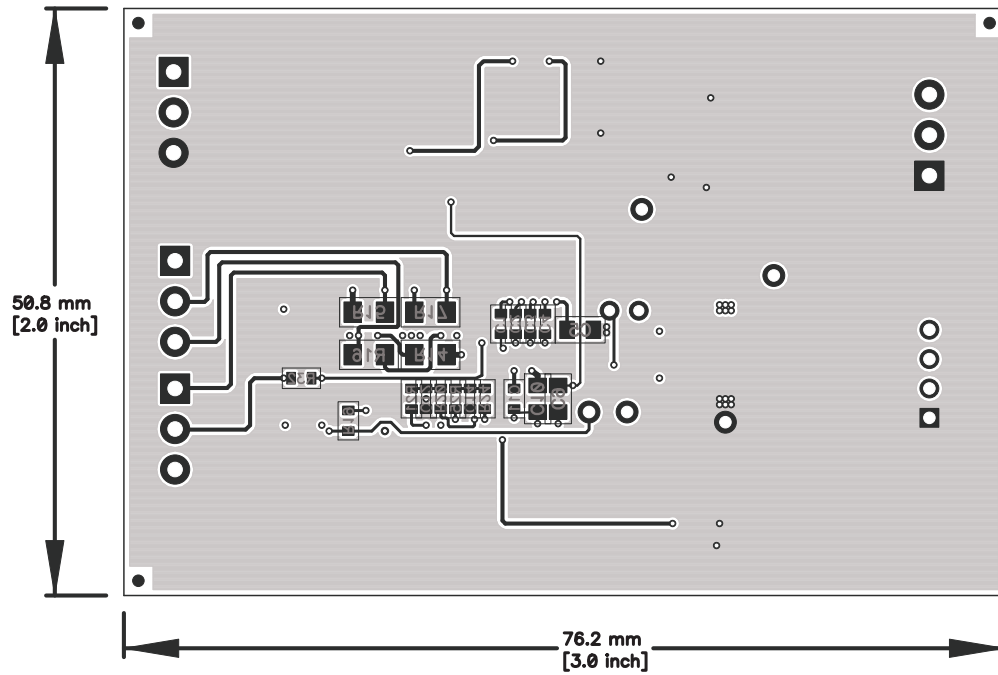


Figure 23. Internal Layer 2

**Layout Example (continued)**



**Figure 24. Bottom Layer**

## 12 Device and Documentation Support

### 12.1 Documentation Support

#### 12.1.1 Related Documentation

For related documentation, see the following:

*BQ33100 Super Capacitor Manager - Top 13 Design Considerations*, [SLUA751](#)

### 12.2 Support Resources

[TI E2E™ support forums](#) are an engineer's go-to source for fast, verified answers and design help — straight from the experts. Search existing answers or ask your own question to get the quick design help you need.

Linked content is provided "AS IS" by the respective contributors. They do not constitute TI specifications and do not necessarily reflect TI's views; see TI's [Terms of Use](#).

### 12.3 Trademarks

E2E is a trademark of Texas Instruments.

All other trademarks are the property of their respective owners.

### 12.4 Electrostatic Discharge Caution



These devices have limited built-in ESD protection. The leads should be shorted together or the device placed in conductive foam during storage or handling to prevent electrostatic damage to the MOS gates.

### 12.5 Glossary

[SLYZ022](#) — *TI Glossary*.

This glossary lists and explains terms, acronyms, and definitions.

## 13 Mechanical, Packaging, and Orderable Information

The following pages include mechanical, packaging, and orderable information. This information is the most current data available for the designated devices. This data is subject to change without notice and revision of this document. For browser-based versions of this data sheet, refer to the left-hand navigation.

**PACKAGING INFORMATION**

Orderable Device	Status (1)	Package Type	Package Drawing	Pins	Package Qty	Eco Plan (2)	Lead/Ball Finish (6)	MSL Peak Temp (3)	Op Temp (°C)	Device Marking (4/5)	Samples
BQ33100PW	ACTIVE	TSSOP	PW	24	60	Green (RoHS & no Sb/Br)	NIPDAU	Level-2-260C-1 YEAR	-40 to 85	33100	<a href="#">Samples</a>
BQ33100PWR	ACTIVE	TSSOP	PW	24	2000	Green (RoHS & no Sb/Br)	NIPDAU	Level-2-260C-1 YEAR	-40 to 85	33100	<a href="#">Samples</a>

(1) The marketing status values are defined as follows:

**ACTIVE:** Product device recommended for new designs.

**LIFEBUY:** TI has announced that the device will be discontinued, and a lifetime-buy period is in effect.

**NRND:** Not recommended for new designs. Device is in production to support existing customers, but TI does not recommend using this part in a new design.

**PREVIEW:** Device has been announced but is not in production. Samples may or may not be available.

**OBSELETE:** TI has discontinued the production of the device.

(2) **RoHS:** TI defines "RoHS" to mean semiconductor products that are compliant with the current EU RoHS requirements for all 10 RoHS substances, including the requirement that RoHS substance do not exceed 0.1% by weight in homogeneous materials. Where designed to be soldered at high temperatures, "RoHS" products are suitable for use in specified lead-free processes. TI may reference these types of products as "Pb-Free".

**RoHS Exempt:** TI defines "RoHS Exempt" to mean products that contain lead but are compliant with EU RoHS pursuant to a specific EU RoHS exemption.

**Green:** TI defines "Green" to mean the content of Chlorine (Cl) and Bromine (Br) based flame retardants meet JS709B low halogen requirements of <=1000ppm threshold. Antimony trioxide based flame retardants must also meet the <=1000ppm threshold requirement.

(3) MSL, Peak Temp. - The Moisture Sensitivity Level rating according to the JEDEC industry standard classifications, and peak solder temperature.

(4) There may be additional marking, which relates to the logo, the lot trace code information, or the environmental category on the device.

(5) Multiple Device Markings will be inside parentheses. Only one Device Marking contained in parentheses and separated by a "-" will appear on a device. If a line is indented then it is a continuation of the previous line and the two combined represent the entire Device Marking for that device.

(6) Lead/Ball Finish - Orderable Devices may have multiple material finish options. Finish options are separated by a vertical ruled line. Lead/Ball Finish values may wrap to two lines if the finish value exceeds the maximum column width.

**Important Information and Disclaimer:**The information provided on this page represents TI's knowledge and belief as of the date that it is provided. TI bases its knowledge and belief on information provided by third parties, and makes no representation or warranty as to the accuracy of such information. Efforts are underway to better integrate information from third parties. TI has taken and continues to take reasonable steps to provide representative and accurate information but may not have conducted destructive testing or chemical analysis on incoming materials and chemicals. TI and TI suppliers consider certain information to be proprietary, and thus CAS numbers and other limited information may not be available for release.

In no event shall TI's liability arising out of such information exceed the total purchase price of the TI part(s) at issue in this document sold by TI to Customer on an annual basis.





## TAPE AND REEL INFORMATION



### QUADRANT ASSIGNMENTS FOR PIN 1 ORIENTATION IN TAPE



\*All dimensions are nominal

Device	Package Type	Package Drawing	Pins	SPQ	Reel Diameter (mm)	Reel Width W1 (mm)	A0 (mm)	B0 (mm)	K0 (mm)	P1 (mm)	W (mm)	Pin1 Quadrant
BQ33100PWR	TSSOP	PW	24	2000	330.0	16.4	6.95	8.3	1.6	8.0	16.0	Q1

**TAPE AND REEL BOX DIMENSIONS**



\*All dimensions are nominal

Device	Package Type	Package Drawing	Pins	SPQ	Length (mm)	Width (mm)	Height (mm)
BQ33100PWR	TSSOP	PW	24	2000	367.0	367.0	38.0

PW0024A



**PACKAGE OUTLINE**  
**TSSOP - 1.2 mm max height**

SMALL OUTLINE PACKAGE



NOTES:

1. All linear dimensions are in millimeters. Any dimensions in parenthesis are for reference only. Dimensioning and tolerancing per ASME Y14.5M.
2. This drawing is subject to change without notice.
3. This dimension does not include mold flash, protrusions, or gate burrs. Mold flash, protrusions, or gate burrs shall not exceed 0.15 mm per side.
4. This dimension does not include interlead flash. Interlead flash shall not exceed 0.25 mm per side.
5. Reference JEDEC registration MO-153.

# EXAMPLE BOARD LAYOUT

PW0024A

TSSOP - 1.2 mm max height

SMALL OUTLINE PACKAGE



LAND PATTERN EXAMPLE  
EXPOSED METAL SHOWN  
SCALE: 10X



SOLDER MASK DETAILS

4220208/A 02/2017

NOTES: (continued)

- 6. Publication IPC-7351 may have alternate designs.
- 7. Solder mask tolerances between and around signal pads can vary based on board fabrication site.

# EXAMPLE STENCIL DESIGN

PW0024A

TSSOP - 1.2 mm max height

SMALL OUTLINE PACKAGE



NOTES: (continued)

8. Laser cutting apertures with trapezoidal walls and rounded corners may offer better paste release. IPC-7525 may have alternate design recommendations.
9. Board assembly site may have different recommendations for stencil design.

## IMPORTANT NOTICE AND DISCLAIMER

TI PROVIDES TECHNICAL AND RELIABILITY DATA (INCLUDING DATASHEETS), DESIGN RESOURCES (INCLUDING REFERENCE DESIGNS), APPLICATION OR OTHER DESIGN ADVICE, WEB TOOLS, SAFETY INFORMATION, AND OTHER RESOURCES "AS IS" AND WITH ALL FAULTS, AND DISCLAIMS ALL WARRANTIES, EXPRESS AND IMPLIED, INCLUDING WITHOUT LIMITATION ANY IMPLIED WARRANTIES OF MERCHANTABILITY, FITNESS FOR A PARTICULAR PURPOSE OR NON-INFRINGEMENT OF THIRD PARTY INTELLECTUAL PROPERTY RIGHTS.

These resources are intended for skilled developers designing with TI products. You are solely responsible for (1) selecting the appropriate TI products for your application, (2) designing, validating and testing your application, and (3) ensuring your application meets applicable standards, and any other safety, security, or other requirements. These resources are subject to change without notice. TI grants you permission to use these resources only for development of an application that uses the TI products described in the resource. Other reproduction and display of these resources is prohibited. No license is granted to any other TI intellectual property right or to any third party intellectual property right. TI disclaims responsibility for, and you will fully indemnify TI and its representatives against, any claims, damages, costs, losses, and liabilities arising out of your use of these resources.

TI's products are provided subject to TI's Terms of Sale ([www.ti.com/legal/termsofsale.html](http://www.ti.com/legal/termsofsale.html)) or other applicable terms available either on [ti.com](http://ti.com) or provided in conjunction with such TI products. TI's provision of these resources does not expand or otherwise alter TI's applicable warranties or warranty disclaimers for TI products.

Mailing Address: Texas Instruments, Post Office Box 655303, Dallas, Texas 75265  
Copyright © 2020, Texas Instruments Incorporated