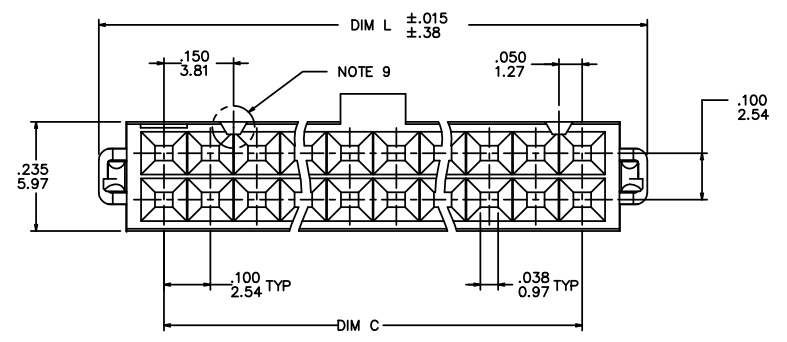
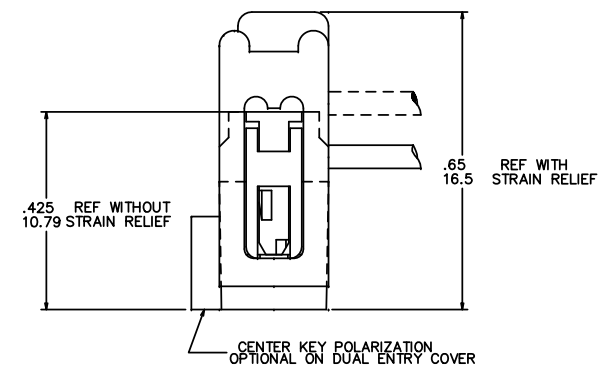
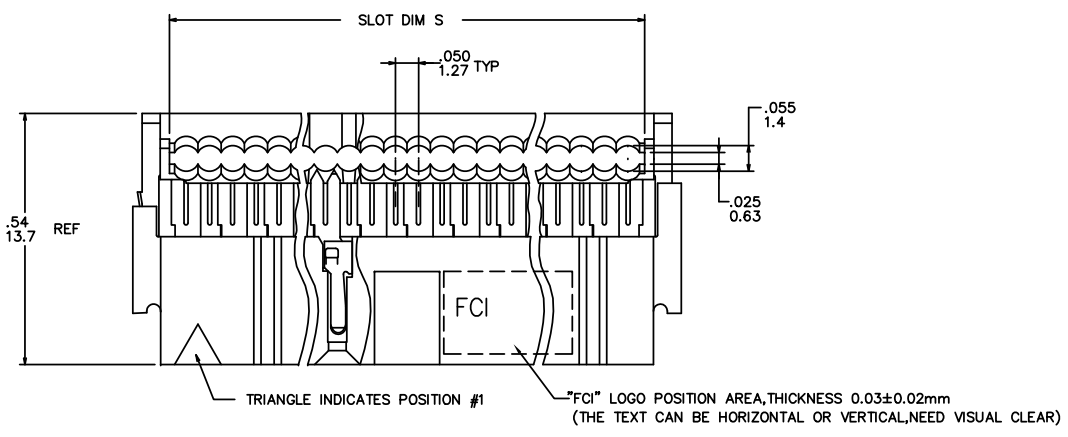
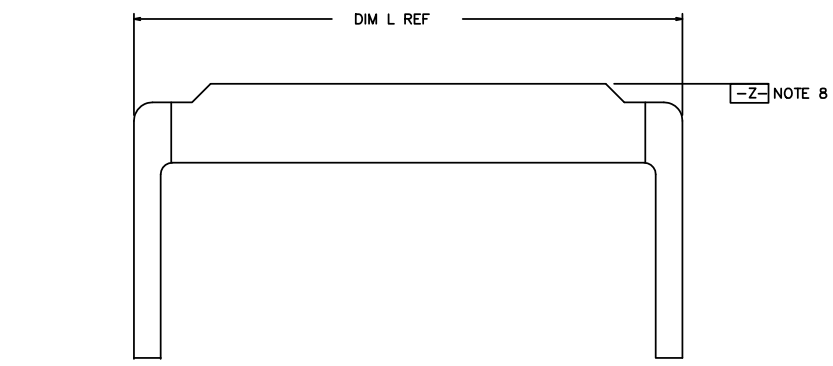


PRODUCT NUMBER
SEE TABLE



mat'l. code				surface ISO 1302 ✓		tolerance ISO 406 ISO 1101		projection INCH/MM		product family QUICKIE	
ltr	ecn no	dr	date	tolerances unless otherwise specified		linear		scale 8:1		title DUAL POLARIZED QUICKIE II ASSEMBLY	
N	REDRAW	MRC	1991-01-03			.XXX±.01/.XXX±.03				sheet 1 of 2 size	
P	V13269	JM	1991-12-12			.XXX±.005/.XXX±.013				66900 A3	
R	V22169	MSC	1992-05-21			.XXXX±.0020/.XXXX±.0051				type Product Customer Drawing	
S	N05-0060	MHT	2005-07-25	dr	M. CORNMANN	1/3/91					
T	N09-0400	A.ZH	2010-01-18	enr	M.SYMK	1/3/91					
U	ELX-N-011958	JZ	2012-06-15	chr	M.SYMK	1/3/91					
V	ELX-N-13342	DCS	2012-11-01	appd	M.SYMK	1/3/91					
sheet	revision	V	V								
index	sheet	1	2								

PRODUCT No. NOTE 12	SIZE	DIM L	DIM S	DIM C
66900-X10	2X5	.680/17.27	.520/13.21	.400/10.16
-X14	2X7	.880/22.35	.720/18.29	.600/15.24
-X16	2X8	.980/24.89	.820/20.83	.700/17.78
-X20	2X10	1.180/29.97	1.020/25.91	.900/22.86
-X24	2X12	1.380/35.05	1.220/30.99	1.100/27.94
-X26	2X13	1.480/37.59	1.320/33.53	1.200/30.48
-X30	2X15	1.680/42.67	1.520/38.61	1.400/35.56
-X34	2X17	1.880/47.75	1.720/43.69	1.600/40.64
-X40	2X20	2.180/55.37	2.020/51.31	1.900/48.26
-X44	2X22	2.380/60.45	2.220/56.39	2.100/53.34
-X50	2X25	2.680/68.07	2.520/64.01	2.400/60.96
66900-X60	2X30	3.180/80.77	3.020/76.71	2.900/73.66

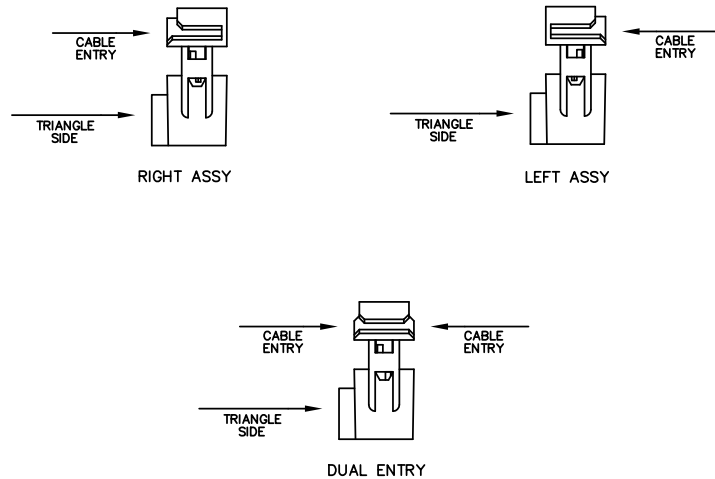
DASH NO	COVER		POLARIZATION	STRAIN RELIEF
	STYLE	ORIENTATION		
-0XX	THRU	DUAL ENTRY	DUAL POL.	YES
-1XX	THRU	DUAL ENTRY	DUAL POL.	NO
-2XX	THRU	DUAL ENTRY	CENTER KEY & DUAL POL.	YES
-3XX	THRU	DUAL ENTRY	CENTER KEY & DUAL POL.	NO
-4XX	BLIND	RIGHT	DUAL POL.	YES
-5XX	BLIND	RIGHT	DUAL POL.	NO
-6XX	BLIND	LEFT	DUAL POL.	YES
-7XX	BLIND	LEFT	DUAL POL.	NO
-8XX	BLIND	RIGHT	CENTER KEY & DUAL POL.	YES
-9XX	BLIND	LEFT	CENTER KEY & DUAL POL.	YES

DASH NO	COVER		POLARIZATION	STRAIN RELIEF	NOTE
	STYLE	ORIENTATION			
-AXX	BLIND	LEFT	DUAL POL.	NO	NOTE 17
-BXX	THRU	DUAL ENTRY	DUAL POL.	YES	
-CXX	THRU	DUAL ENTRY	DUAL POL.	NO	
-DXX	THRU	DUAL ENTRY	CENTER KEY & DUAL POL.	NO	
-EXX	BLIND	RIGHT	DUAL POL.	YES	
-FXX	BLIND	RIGHT	DUAL POL.	NO	

NOTES:

1. TERMINAL MATERIAL: FULL HARD PHOS. BRONZE ALLOY, UNS-C51000.
2. TERMINAL PLATING: 50u"/27u MIN NI UNDERPLATE OVER ENTIRE TERMINAL AND 30u"/.76u MIN Au OR GXT IN CONTACT AREA ONLY.
3. MOLDING MATERIAL: BASE & COVER- GLASS FILLED POLYESTER, FLAME RETARDANT PER UL94V-0, COLOR- BLUE.
4. CONNECTOR ASSEMBLIES PACKAGED IN TUBES.
5. THE FIRST TWO CAVITY POSITIONS AND THE LAST TWO, ARE IDENTIFIED BY NUMBER.
6. POLARIZING FEATURES ARE DESCRIBED IN TABLE.
7. MOLDING MATERIAL: STRAIN RELIEF- NYLON, FLAME RETARDANT PER UL94V-0, COLOR- BLUE.
8. STRAIN RELIEF DIM APPLIES WHEN DATUM -Z- IS HELD IN A RESTRAINED CONDITION.
9. THE POLARIZING FEATURE ON THIS END IS NON-EXISTANT ON 2X5 AND 2X7 POSITION CONNECTORS.
10. 2x5 POSITION NOT AVAILABLE WITH POLARIZATION SLOT ON CENTER KEY STYLE.
11. TO ORDER PARTS THAT DO NOT HAVE "MARKED INFO", (DATE, P/N, ETC), ADD A "U" AFTER THE PART NUMBER. EXAMPLE 66900-010 U.
12. ADD "LF" SUFFIX AT THE END OF PART NUMBER FOR LEAD FREE OPTION.
13. IF "LF" P/N THE PRODUCT MEETS EUROPEAN UNION DIRECTIVES AND OTHER COUNTRY REGULATION AS DESCRIBED IN GS-22-008.
14. THE PRODUCT IS NOT INTENDED TO BE EXPOSED TO A MANUFACTURING SOLDER PROCESS.
15. PRODUCT SPEC. BUS-12-082
16. PLATING OPTIONS: MAY BE EITHER GOLD OR GXT PLATED AT MANUFACTURER'S OPTION.
17. FOR CUSTOMER SPECIAL REQUIREMENT. TERMINAL PLATING: 50u"/27u MIN NI UNDERPLATE OVER ENTIRE TERMINAL AND 30u"/.76u MIN Au IN CONTACT AREA ONLY.

COVER ORIENTATION



mat'l. code		surface ISO 1302 ✓	tolerance ISO 406 ISO 1101	projection INCH/MM	product family QUICKIE
ltr	ecn no	dr	date	tolerances unless otherwise specified	title DUAL POLARIZEO QUICKIE II ASSEMBLY
v				angles linear XXX±.01/XXX.03 XXX±.005/XXX±0.13 XXX±.0020/XXX±0.051	
		dr	M. CORNMAN	1/3/91	dwg no 66900 sheet 2 of 2 size A3
		enrg	M.SYMK	1/3/91	
		chr	M.SYMK	1/3/91	
		appd	M.SYMK	1/3/91	
sheet index	revision sheet				type Product Customer Drawing

Mouser Electronics

Authorized Distributor

Click to View Pricing, Inventory, Delivery & Lifecycle Information:

[FCI / Amphenol:](#)

[66900-140](#) [66900-320](#) [66900-640](#) [66900-316](#) [66900-016LF](#) [66900-310LF](#) [66900-010LF](#) [66900-014LF](#) [66900-240LF](#) [66900-234LF](#) [66900-250LF](#) [66900-230LF](#) [66900-116LF](#) [66900-126LF](#) [66900-110LF](#) [66900-050LF](#) [66900-350LF](#) [66900-040LF](#) [66900-024](#) [66900-044](#) [66900-114](#) [66900-120](#) [66900-134](#) [66900-224](#) [66900-260](#) [66900-314](#) [66900-334](#) [66900-340](#) [66900-410](#) [66900-420](#) [66900-434](#) [66900-440](#) [66900-450](#) [66900-460](#) [66900-514](#) [66900-516](#) [66900-520](#) [66900-524](#) [66900-526](#) [66900-610](#) [66900-620](#) [66900-626](#) [66900-634](#) [66900-710](#) [66900-716](#) [66900-734](#) [66900-740](#) [66900-810](#) [66900-814](#) [66900-820](#) [66900-824](#) [66900-826](#) [66900-830](#) [66900-834](#) [66900-850](#) [66900-860](#) [66900-910](#) [66900-920](#) [66900-930](#) [66900-934](#) [66900-940](#) [66900-214](#) [66900-216](#) [66900-230](#) [66900-234](#) [66900-250](#) [66900-210](#) [66900-226](#) [66900-220](#) [66900-240](#) [66900-110](#) [66900-126](#) [66900-350](#) [66900-310](#) [66900-040](#) [66900-010](#) [66900-020](#) [66900-026](#) [66900-140LF](#) [66900-316LF](#) [66900-320LF](#) [66900-024LF](#) [66900-030LF](#) [66900-044LF](#) [66900-060LF](#) [66900-114LF](#) [66900-120LF](#) [66900-124LF](#) [66900-130LF](#) [66900-134LF](#) [66900-144LF](#) [66900-160LF](#) [66900-224LF](#) [66900-244LF](#) [66900-260LF](#) [66900-314LF](#) [66900-324LF](#) [66900-326LF](#) [66900-330LF](#) [66900-334LF](#)