
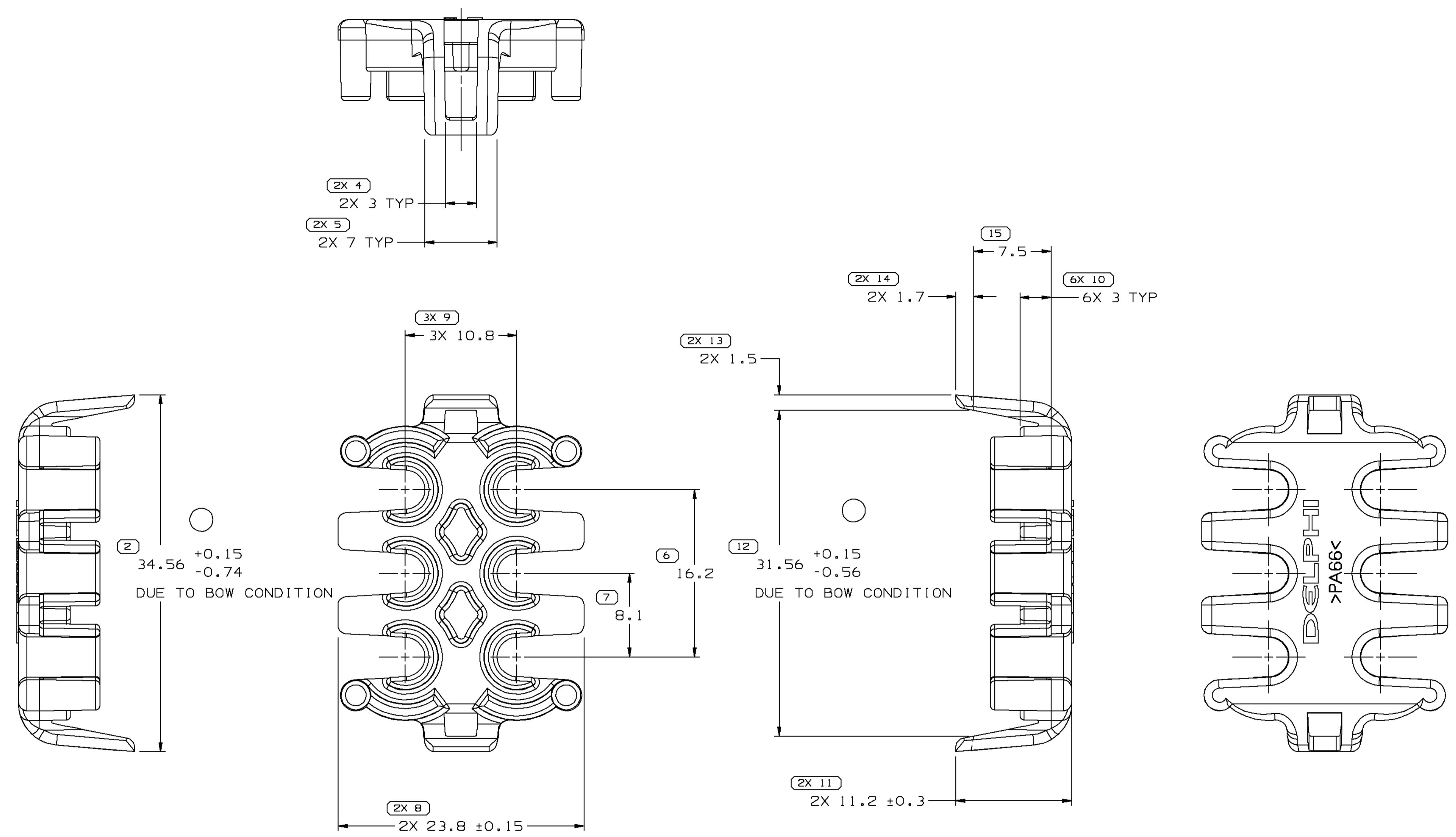


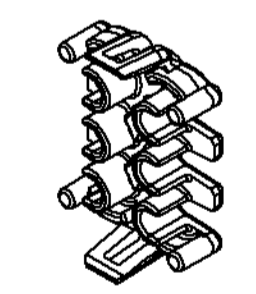
SYMBOL DEFINITION		MISSING SYMBOLS	
A DIMENSION WITHOUT AN INSPECTION REPORT SYMBOL  DOES NOT REQUIRE INSPECTION. IT MAY BE CONTROLLED ON THE INDIVIDUAL COMPONENT DRAWING.	TOTAL NO OF INSPECTIONS REQUIRED	1	3
	LAST NO. USED		15

DWG STATUS					ZONE	REVISION HISTORY	AUTH	DR	APVD 1	APVD 2
DATE	STG	REV	N/P	CHG						
21MR02	R	09	-	-		CREATED PD AND MAT'L SPEC WAS R0064633	222915	RH	RH	RC
08MY02	R	09	AA	-		34.56 +0.15/-0.74 WAS 34.56 +/-0.15, 31.56 +0.15/-0.56 WAS 31.56 +/-0.15 AND REMOVED DIMS (2 PLCS)	225206	RH	RH	RC



NOTES

- UNLESS OTHERWISE SPECIFIED AND/OR INDICATED: DIMENSIONS ARE TO FACE OF VIEW SHOWN AND AUTOMATICALLY ROUNDED BY COMPUTER FOR INSPECTION (SEE MATH MODEL FOR PRECISE DIMENSIONS). FOR ALL OTHER DIMENSIONS NOT SHOWN BUT REQUIRED FOR TOOL BUILD, SEE MATH MODEL FOR PRECISE TOOL PATH DATA.
- MATERIAL RECYCLING CODE >PA66< PER SAE J1344. (2.3)X(0.1) RAISED CHARACTERS AS SHOWN TO BE LOCATED ON ANY EXTERIOR SURFACE. OPTIONAL CONSTRUCTION TO BE NO MATERIAL RECYCLING CODE.
- THIS PART IS NOT CONTROLLED FOR AUTOMATIC FEEDING.
- MATING COMPONENTS OR EQUIVALENT: CONNECTOR 12110539
- (2.3)X(0.1) RAISED DELPHI CORPORATE BRAND TO BE LOCATED ON ANY EXTERIOR SURFACE, PREFERABLY VISIBLE AT FINAL ASSEMBLY. OPTIONAL CONSTRUCTION TO BE "PED" OR NO LOGO.
- MAX CABLE DIA THAT WILL FIT THIS PART IS  $\varnothing$  3.88.



DWG TYPE		PART DRAWING	
STYLE			
VOLUME (CM <sup>3</sup> )	DISTR CODE		
1.864	D		
ROUTING			
6900			
UNLESS OTHERWISE SPECIFIED			
THIS DOCUMENT IS IN ACCORDANCE WITH ASME Y14.5M-1994 AS AMENDED BY THE GM GLOBAL DIMENSIONING AND TOLERANCING ADDENDUM - 1997. ALL GEOMETRIC TOLERANCES AND RELATED DATUMS APPLY PER SAE. RULE #1 PERFECT FORM AT MMC DOES NOT APPLY WHEN RELATIONSHIP BETWEEN FEATURES IS ESTABLISHED BY ORIENTATION OR LOCATION TOLERANCES. SEPARATE POSITION CALLOUTS MAY BE GAGED SEPARATELY, REGARDLESS OF DATUM REFERENCE.			
REFERENCE			
THIRD ANGLE PROJECTION			
DO NOT SCALE			
USE MATH DATA			

**DELPHI**  
DELPHI PACKARD ELECTRIC SYSTEMS  
WARREN, OH

DR	R. HERMOSILLO	DATE	21MR02
APVD1	R. HERMOSILLO		21MR02
APVD2	R. CORZAS		22MR02
APVD3			
APVD4			
APVD5			

SUBSTANCES OF CONCERN AND RECYCLED CONTENT PER DELPHI-A 10949001

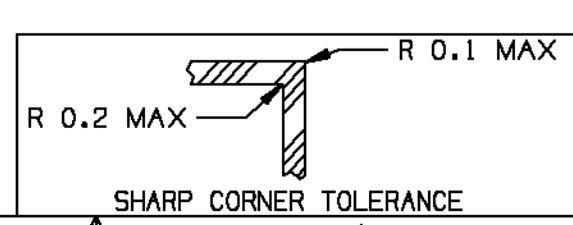
MATERIAL  
M3592021 PA66 HS 1M GRN DK

DRAWING NAME  
TPA M/P 280

DRAWING NUMBER  
**12110540**

SIZE	SCALE	FRAME NO	SHEET NO	STG	REV	N/P
A1	4:1	1 OF 1	1 OF 1	R	09	-

DIMENSIONAL RANGE (MM)		CHART E1	
FROM	TO	FROM	TO
>0	>20	>70	>100
>20	>30	>100	>150
>30	>70	>150	>200
>70	>100	>200	>250
>100	>150	>250	>300
>150	>200	>300	>400
TOLERANCE UNLESS OTHERWISE SPECIFIED			
±0.15		±0.3	
±0.2		±0.4	
±0.3		±0.5	
±0.4		±0.6	
±0.5		±0.8	
±0.6		±1	
±0.8		±1.2	
ANGULAR TOLERANCE ±2°			



# Mouser Electronics

Authorized Distributor

Click to View Pricing, Inventory, Delivery & Lifecycle Information:

[Aptiv:](#)

[12110540](#)