



**Features:**

- Motor: Brushless DC
- Motor Protection: IC
- Bearing Type: Two Ball
- Connection: UL 1007 AWG 24, 310mm Wire Leads
- Frame Material: Plastic UL94V-0
- Impeller Material: Plastic UL94V-0
- Operating Temp:
  - Two Ball: -10°C~70°C
- Life Expectancy:
  - Two Ball: 70,000 Hours

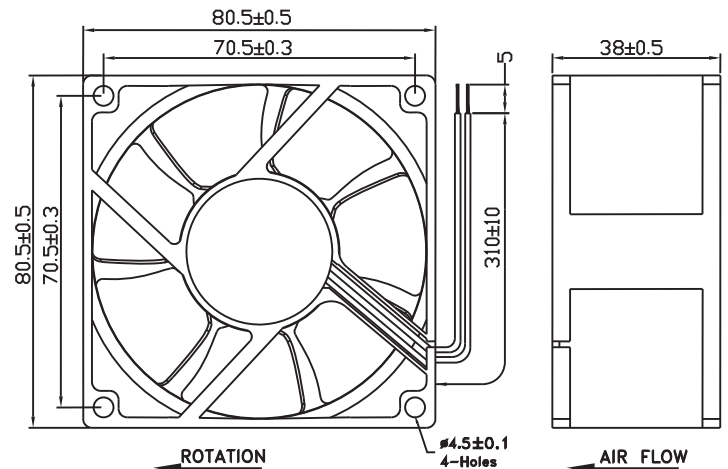
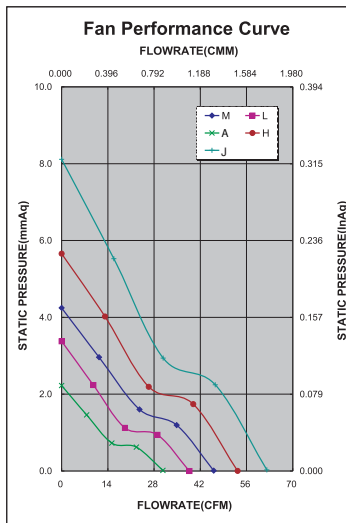


Fan-S Division



Model No.	Volt.	Current	Power	Rated Speed	Maximum AirFlow		Maximum Static Pressure		Noise Level	Weight
	(VDC)	(A)	(W)	(rpm)	(CMM)	(CFM)	(InAq)	(mmAq)	(dB/A)	(g)
FAD1-08038CBAW12	12	0.07	0.84	2000	0.867	30.657	0.087	2.209	25.5	120.0
FAD1-08038CBLW12	12	0.10	1.20	2500	1.095	38.725	0.132	3.352	32.3	120.0
FAD1-08038CBMW12	12	0.17	2.04	3000	1.303	46.055	0.167	4.241	36.0	120.0
FAD1-08038CBHW12	12	0.26	3.12	3500	1.508	53.311	0.222	5.638	39.9	120.0
FAD1-08038CBJW12	12	0.34	4.08	4000	1.759	62.161	0.319	8.102	43.7	120.0
FAD1-08038DBLW12	24	0.08	1.92	2500	1.095	38.725	0.132	3.352	32.3	120.0
FAD1-08038DBMW12	24	0.10	2.40	3000	1.303	46.055	0.167	4.241	36.0	120.0
FAD1-08038DBHW12	24	0.14	3.36	3500	1.508	53.311	0.222	5.638	39.9	120.0

Noise is measured at the distance of one (1) meter from the axis of intake.



# Mouser Electronics

Authorized Distributor

Click to View Pricing, Inventory, Delivery & Lifecycle Information:

[Qualtek:](#)

[FAD1-08038CBAW12](#) [FAD1-08038CBHW12](#) [FAD1-08038CBJW12](#) [FAD1-08038CBLW12](#) [FAD1-08038CBMW12](#)  
[FAD1-08038DBHW12](#) [FAD1-08038DBLW12](#) [FAD1-08038DBMW12](#)