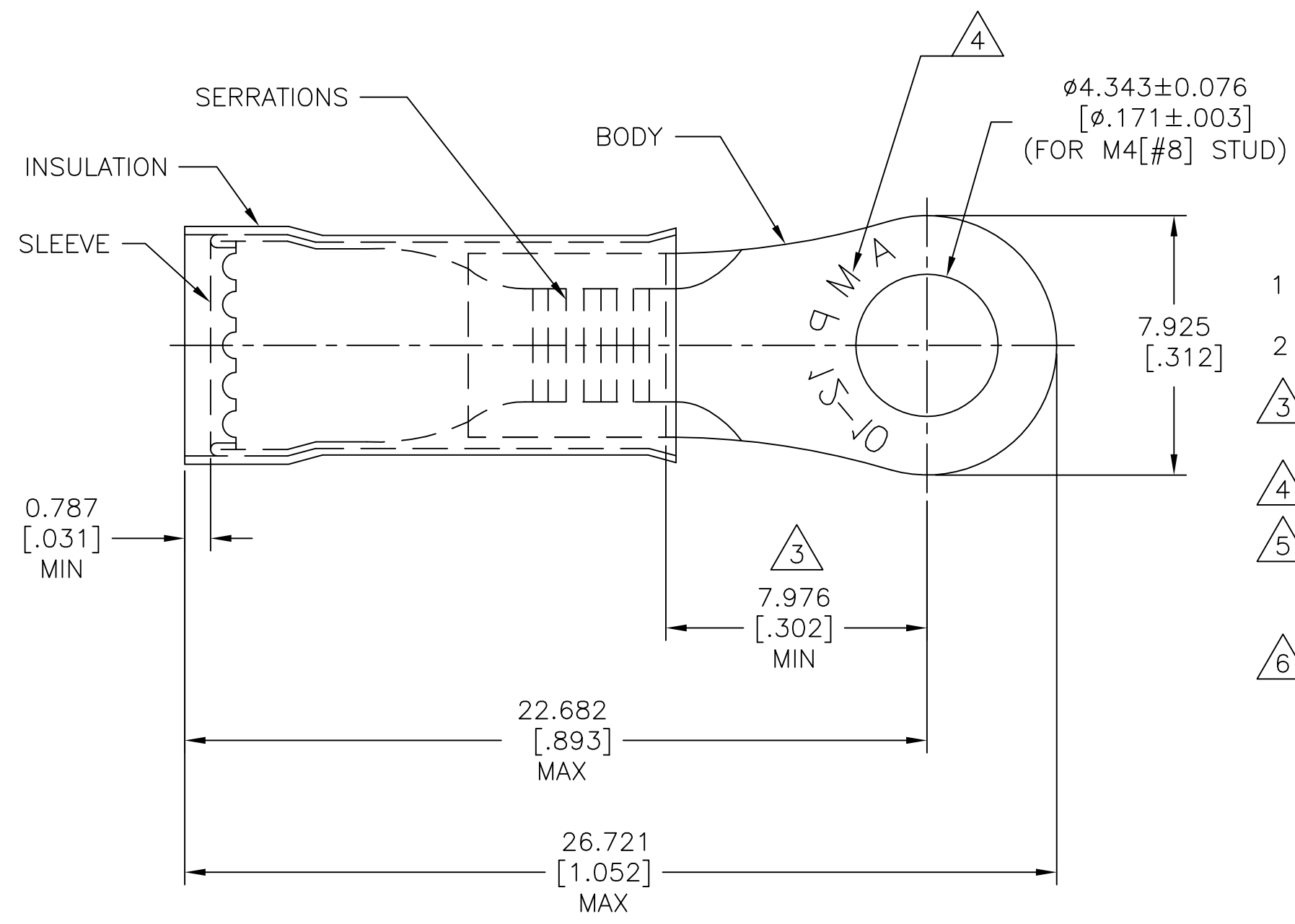


REVISIONS					
P	LTR	DESCRIPTION	DATE	DWN	APVD
	G1	REVISED PER ECR-09-017960	27AUG09	HMR	JR
	G2	REVISED PER ECO-17-007400	28NOV2017	RS	DR

AMP WIRE RANGE	E13288 Listed	LR7189 Certified
12-10 AWG SOLID OR STRANDED	12-10 AWG SOLID OR STRANDED	12-10 AWG SOLID OR STRANDED



- 1 FOR $\phi 3.810[\phi.150]$ TO $\phi 5.842[\phi.230]$ WIRE INSULATION.
- 2 BODY MATERIAL THK: $1.016 \pm 0.051[.040 \pm .002]$
- 3 APPLIES FROM EDGE OF METAL WIRE BARREL TO CENTER OF STUD HOLE.
- 4 STAMP AMP 12-10* APPROX AS SHOWN.
- 5 MATERIAL:
BODY & SLEEVE: COPPER PER (ASTM-B152)
INSULATION: NYLON.
- 6 FINISH:
BODY & SLEEVE: TIN PLATED PER (ASTM-B545)
INSULATION: COLOR-YELLOW.

500	LOOSE PIECE	324915
QTY	PACKAGE TYPE	PART NO

AMP INCORPORATED CUSTOMER SERVICE SYSTEMS		MAX RECOMMENDED OPERATING TEMPERATURE: 105°C [221°F] MAX VOLTAGE RATING: 300 V MAX WIRE CROSS SECTIONAL AREA RANGE, 2.62-6.64mm ² [5,180-13,100] SOLID OR STRANDED
FOR ADDITIONAL PRODUCT INFORMATION OR COPIES OF DRAWINGS AND TECHNICAL DOCUMENTS	PRODUCT INFORMATION CENTER 1-800-522-6752	
FOR APPLICATION TOOLING INFORMATION	TOOLING ASSISTANCE CENTER 1-800-722-1111	
FOR ORDER ENTRY	1-800-526-5142	

THIS DRAWING IS A CONTROLLED DOCUMENT.	
DIMENSIONS: mm [INCHES]	TOLERANCES UNLESS OTHERWISE SPECIFIED:
	0 PLC ± - 1 PLC ± - 2 PLC ± - 3 PLC ± .127[.005] 4 PLC ± - ± 5° ANGLES
MATERIAL	FINISH
5	6

DWN RAGHAVENDRA 27AUG09	STE TE Connectivity	
CHK JEFF RUTH 27AUG09		
APVD TOM MICHIELUTTI 27AUG09	NAME	
PRODUCT SPEC	WIRE TERMINAL PIDG - RING TONGUE WIRE SIZE: 12-10 AWG	
APPLICATION SPEC	SIZE	CAGE CODE
114-2157	A3	00779
WEIGHT -	DRAWING NO	RESTRICTED TO
CUSTOMER DRAWING	C=324915	-
SCALE 6:1	SHEET 1 OF 1	REV G2

Mouser Electronics

Authorized Distributor

Click to View Pricing, Inventory, Delivery & Lifecycle Information:

[TE Connectivity:](#)

[8-324915-1](#)