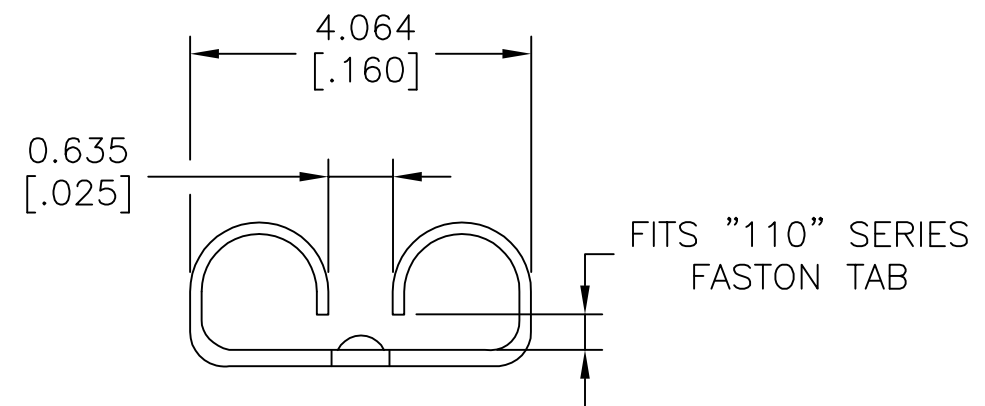
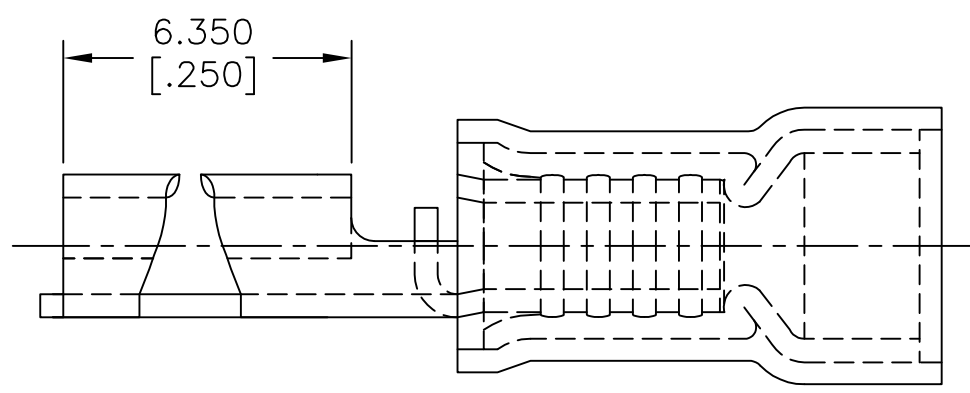
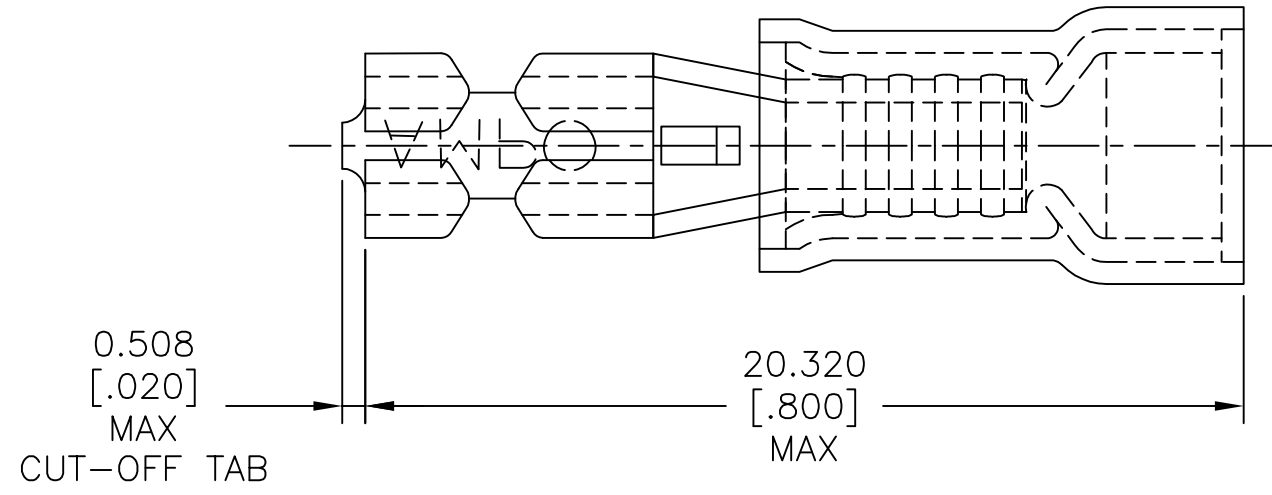


REVISIONS					
P	LTR	DESCRIPTION	DATE	DWN	APVD
	G	REV PER OG3A-0176-02	08APR02	JR	TM
	G1	REVISED PER ECO-17-002887	31AUG2017	RS	DR



- 1 INSULATION  $\phi 4.318[\phi.170]$  MAX.
- 2 FITS TAB 0.406[.016] THK.

-	LOOSE PIECE	640927-1
QTY	PACKAGE TYPE	PART NO

AMP INCORPORATED CUSTOMER SERVICE SYSTEM		MAX RECOMMENDED OPERATING TEMPERATURE: -	THIS DRAWING IS A CONTROLLED DOCUMENT.		DWN L OLMEDA 13NOV95	TE Connectivity RECEPTACLE, 110 SERIES, FASTON™, PIDG™, WIRE SIZE, 16-14 AWG			
FOR ADDITIONAL PRODUCT INFORMATION OR COPIES OF DRAWINGS AND TECHNICAL DOCUMENTS	PRODUCT INFORMATION CENTER 1-800-522-6752	VOLTAGE RATING: -	DIMENSIONS: mm [INCHES]	TOLERANCES UNLESS OTHERWISE SPECIFIED:	CHK M ELLIS 15NOV95				
FOR APPLICATION TOOLING INFORMATION	TOOLING ASSISTANCE CENTER 1-800-722-1111	CIRCULAR MIL AREA: -		0 PLC ± -	APVD B BARE 15NOV95	APPLICATION SPEC			
FOR ORDER ENTRY	1-800-526-5142			MATERIAL BODY, BRASS .016 SLV, NYLON, COLOR, BLUER	1 PLC ± -	114-1002	SIZE	CAGE CODE	DRAWING NO
					2 PLC ± 0.25[.015]	A3 00779 C-640927			
					3 PLC ± 0.127[.005]	CUSTOMER DRAWING			
					4 PLC ANGLES ± -	SCALE NTS SHEET 1 OF 1 REV G1			
					FINISH BODY, PRE-TIN				

# Mouser Electronics

Authorized Distributor

Click to View Pricing, Inventory, Delivery & Lifecycle Information:

[TE Connectivity:](#)

[640927-1](#)